



## White LED Driver (120mA Charge Pump with Current Source)

### ❖ GENERAL DESCRIPTION

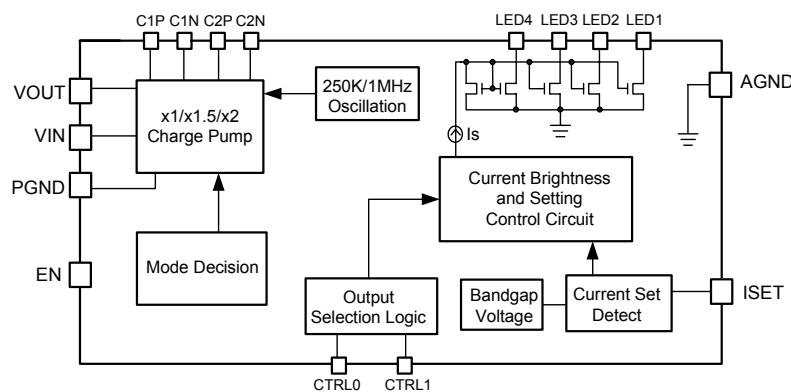
The APE1601 is a high efficiency charge pump white LED driver. It supports up to 4 white LEDs with regulated constant current for uniform intensity. The APE1601 maintains the highest efficiency by utilizing a x1/x1.5/x2 fractional charge pump and low dropout current regulators.

User can easily configure each LED current up to 30mA by an external resistor. Two digital inputs can be programmable to control white LED On/Off. LED dimming can be achieved by applying a PWM signal to the digital control signals. The operating voltage range is 2.5V to 5.5V. Internal soft-start circuitry effectively reduces the in-rush current both while start-up and mode change. APE1601 also provides comprehensive protections such short circuit protection and over-temperature protection. The load is disconnected from VIN while shutdown and the shutdown current is less than 1uA. APE1601 is available in a QFN 3x3mm-16L package.

### ❖ FEATURES

- Very High Efficiency Over 90% of Battery Life
- Support up to 4 WLEDs
- Support up to 120mA Output Current
- Soft Start / Short Circuit Protection Function
- Three Charge Pump Mode: x1, x1.5, x2
- 250k/1MHz Fixed Frequency Oscillator
- RoHS Compliant and 100% Lead (Pb)-Free

### ❖ Block Diagram





**White LED Driver (120mA Charge Pump with Current Source)**

❖ **PIN ASSIGNMET (QFN 3x3mm -16L)**

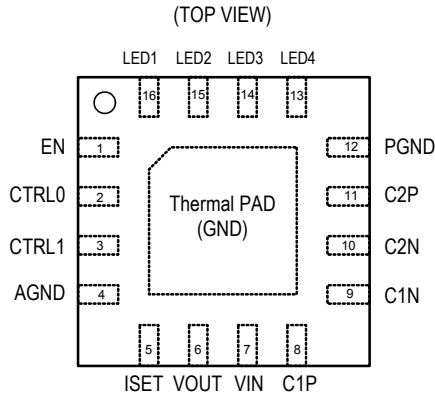


Table 1

Control Inputs		Output Status			
CTRL1	CTRL0	LED4	LED3	LED2	LED1
0	0	OFF	OFF	ON	ON
0	1	OFF	ON	ON	ON
1	0	ON	ON	ON	ON
1	1	OFF	OFF	OFF	OFF

PIN	Name	Description
1	EN	Chip Enable (Active High). There should be a pull low 100kΩ resistor connected to GND when the control signal is floating.
2	CTRL0	Output Control Bit 0. (See Table 1)
3	CTRL1	Output Control Bit 1. (See Table 1)
4	AGND	Analog Ground
5	ISET	LED current is set by the value of the resistor RSET connected from the ISET pin to ground. Do not short the ISET pin. V <sub>ISET</sub> is typically 1.2V. All external capacitance at this pin, including board parasitic capacitance, must be less than or equal to 30pF.
6	VOUT	Output Voltage Source for connection to the LED anodes.
7	VIN	Input Voltage
8	C1P	Positive Terminal of Bucket Capacitor 1
9	C1N	Negative Terminal of Bucket Capacitor 1
10	C2N	Negative Terminal of Bucket Capacitor 2
11	C2P	Positive Terminal of Bucket Capacitor 2
12	PGND	Power Ground.
13 to 16	LED4~1	Current Sink for LED. (If not in use, pin should be connected to V <sub>OUT</sub> ) (1)
PAD	GND	Exposed pad should be soldered to PCB board and connected to GND.

(1) The CTRL word must match the output in use.

❖ **ORDER/MARKING INFORMATION**

Order Information	Top Marking
<p><b>APE1601X X</b></p> <p>Frequency      Package Type</p> <p>Blank : 1.0Mhz    VN3: QFN 3X3-16L A : 250Khz</p>	<p>Part number → 1601 X → Blank : APE1601 A : APE1601A</p> <p>XXXXX → ID code : internal</p> <p>WW : 01~52</p> <p>Year : 06 = 2006</p>



**White LED Driver (120mA Charge Pump with Current Source)**

❖ **Absolute Maximum Ratings** (at Ta=25°C)

Characteristics	Symbol	Rating	Unit
VIN Pin Voltage	V <sub>IN</sub>	- 0.3 to 6V	V
VOU Pin Voltage	V <sub>OUT</sub>	- 0.3 to 6V	V
Storage Temperature Range	T <sub>ST</sub>	-65 to +150	°C
Junction Temperature	T <sub>J</sub>	+125	°C
Thermal Resistance from Junction to ambient	θ <sub>JA</sub>	68	°C/W
Power Dissipation[ PD=( T <sub>J</sub> -T <sub>A</sub> ) / θ <sub>JA</sub> ]	PD	1.47	W

Note : θ<sub>JA</sub> is measured with the PCB copper area of approximately 1 in<sup>2</sup>(Multi-layer).

❖ **Operating conditions**

Characteristics	Symbol	Rating	Unit
Operating Temperature Range	T <sub>OP</sub>	-40 to +85	°C
Operating Supply Voltage	V <sub>OP</sub>	+2.5 to +5.5	V

❖ **Electrical Characteristics** (V<sub>IN</sub> = 3.7V, C1=C2=1uF,ESR =0.03 Ω, Ta=25°C, unless otherwise specified)

Characteristics	Symbol	Conditions	Min	Typ	Max	Units
Undervoltage Lockout Threshold		V <sub>IN</sub> rising or falling	1.8	2.1	2.4	V
Undervoltage Lockout Hysteresis				50		mV
Current into LEDs 1, 2, 3 and 4	I <sub>LED</sub>	R <sub>SET</sub> = 24.0K	--	20	--	mA
		R <sub>SET</sub> = 96.0K	--	5	--	mA
		2.7V < V <sub>IN</sub> < 5.5V	2	--	20	mA
		3.1V < V <sub>IN</sub> < 5.5V	2	--	30	mA
Quiescent Current	I <sub>CCQ</sub>	F <sub>OSC</sub> =1MHz, EN = High, No Load	--	3	--	mA
		F <sub>OSC</sub> =250kHz, EN = High, No Load	--	1.5	--	mA
Shutdown Supply Current	I <sub>SD</sub>	EN = Low	--	1	7	uA
I <sub>LED</sub> Accuracy	I <sub>LED-ERR</sub>	2mA < I <sub>LED</sub> < 30mA	--	2	7.5	%
Current Matching	I <sub>LED-LED-ERR</sub>	2mA < I <sub>LED</sub> < 30mA	--	1	5	%
x1 mode to x1.5 mode Transition Voltage (VIN falling)	V <sub>TRANS1X</sub>	V <sub>LED</sub> = 3.6V, I <sub>OUT</sub> = 80mA I <sub>LED1</sub> = I <sub>LED2</sub> = I <sub>LED3</sub> = I <sub>LED4</sub> = 20mA	--	3.8	--	V
x1.5 mode to x2 mode Transition Voltage (VIN falling)	V <sub>TRANS1.5X</sub>	V <sub>LED</sub> = 3.6V, I <sub>OUT</sub> = 80mA I <sub>LED1</sub> = I <sub>LED2</sub> = I <sub>LED3</sub> = I <sub>LED4</sub> = 20mA	--	2.8	--	V
Oscillator Frequency	F <sub>OSC</sub>	APE1601	0.8	1.0	1.2	MHz
	F <sub>OSC</sub>	APE1601A	200	250	300	KHz
Input current limit	I <sub>LIM</sub>	Short circuit applied from V <sub>OUT</sub> to GND	450	--	850	mA
Output over voltage protect	V <sub>OVF</sub>	Open circuit at any LED that is programmed to be in the ON state	--	5.5	6	V
EN Pin Logic input threshold voltage	V <sub>IH</sub>	Input high (EN,CTRL0,CTRL1)	2.0	--	--	V
	V <sub>IL</sub>	Input low (EN,CTRL0,CTRL1)	--	--	0.8	



**White LED Driver (120mA Charge Pump with Current Source)**

EN Pin Input Current	$I_{IH}$	$V_{EN}=V_{IN}$ (ON)	--	--	1	$\mu A$
	$I_{IL}$	$V_{EN}=GND$ (OFF)	--	--	1	$\mu A$
Thermal shutdown Temp	TSD			150		$^{\circ}C$
Thermal shutdown Hysteresis				15		$^{\circ}C$

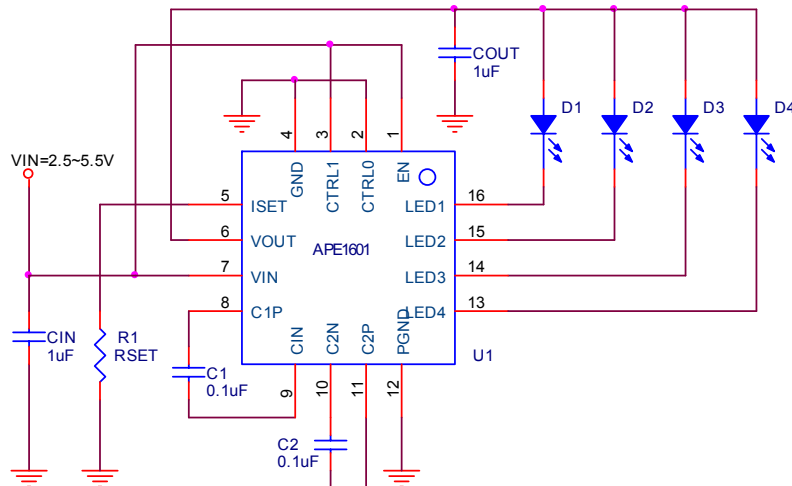
**Note 1.**  $I_{LED}$  Accuracy =  $\pm \frac{I_{LED(MEASURED)} - I_{LED(SET)}}{I_{LED(SET)}} \times 100\%$

**Note 2.** Current Matching refers to the difference in current from on LED to the next.

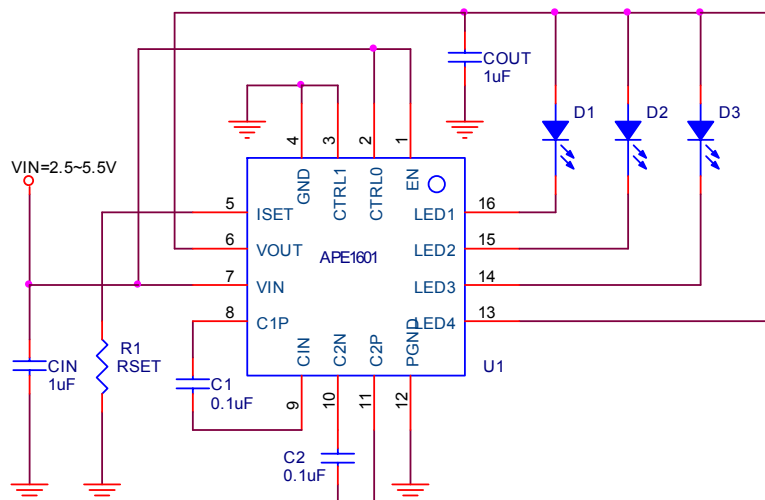
$$I_{LED} \text{ Current Matching} = \pm \frac{I_{LED(MAX)} - I_{LED(MIN)}}{I_{LED(MAX)} + I_{LED(MIN)}} \times 100\%$$

❖ **Application Circuit**

**A. For 4 WLEDs back light**



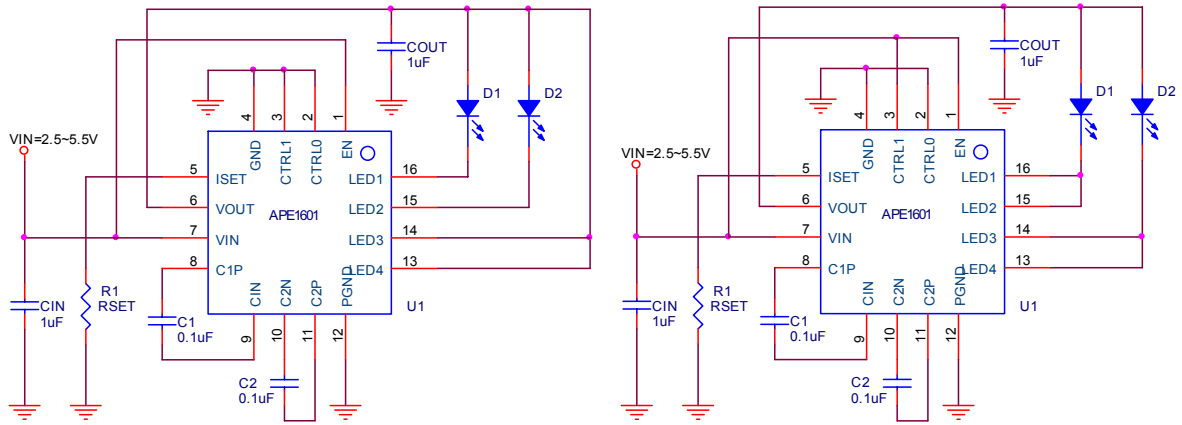
**B. For 3 WLEDs back light**



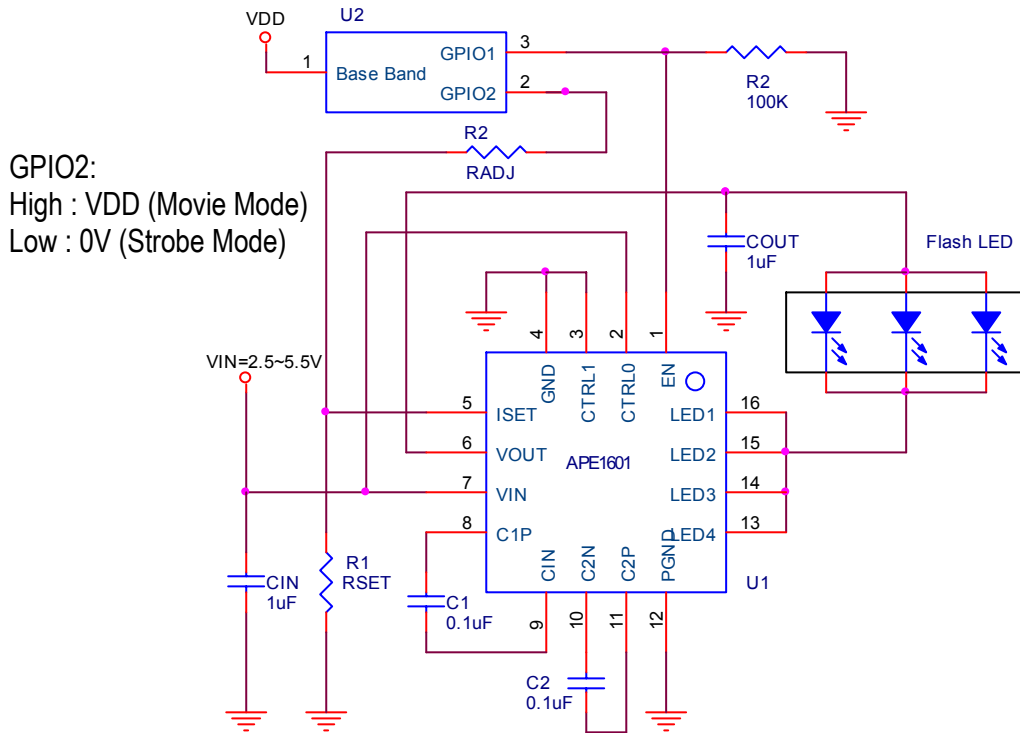


White LED Driver (120mA Charge Pump with Current Source)

C. For 2 WLEDs back light



D. For 3 WLEDs Camera flash module



GPIO2:  
High : VDD (Movie Mode)  
Low : 0V (Strobe Mode)

DEVICE	C1 (uF)	C2 (uF)
APE1601(1MHz)	0.1	0.1
APE1601A(250KHz)	0.47	0.47



## **White LED Driver (120mA Charge Pump with Current Source)**

---

### **❖ Function Descriptions**

The APE1601/A is a high efficiency charge pump white LED driver. It provides 4 channels low drop-out voltage current source to regulated 4 white LEDs current. For high efficiency, the APE1601/A implements x1/x1.5/x2 mode charge pump. An external  $R_{SET}$  is used to set the current of white LED. APE1601/A has an input current regulation to reduce the input ripple.

#### **Soft Start**

The APE1601/A includes a soft start circuit to limit the inrush current at power on and mode switching. Soft start circuit holds the input current level long enough for output capacitor  $C_{OUT}$  reaching a desired voltage level.

#### **Mode Decision**

The APE1601/A uses a smart mode decision method to select the working mode for maximum efficiency. Mode decision circuit senses the output and LED voltage for up/down selection.

#### **Dimming Control**

CTRL0 and CTRL1 are used to control the on/off of White LED. When an external PWM signal is connected to the control pin, brightness of white LED is adjusted by the duty cycle.

#### **LED Current Setting**

The current of white LED connected to APE1601/A can be set by  $R_{SET}$ . Every current flows through the white LED is 400 times greater than the current of  $R_{SET}$ . The white LED can be estimated by following equation:

$$I_{LED} = 400 \times \left( \frac{V_{ISET}}{R_{SET}} \right)$$

where  $V_{ISET} = 1.2V$ , and  $R_{SET}$  is the resistance connected from  $I_{SET}$  to GND.

#### **Thermal Shutdown**

The APE1601/A provides a high current capability to drive 4 white LEDs. A thermal shutdown circuit is needed to protect the chip from thermal damage. When the chip reaches the shutdown temperature 150°C, the thermal shutdown circuit turns off the chip to prevent the thermal accumulation in the chip.

#### **Over Voltage Protection**

The APE1601/A regulates the output voltage by controlling the input current. When the output voltage reaches the designated level, the APE1601/A reduces the input current. And then, the output voltage regulation also serves an over-voltage protection.

## **White LED Driver (120mA Charge Pump with Current Source)**

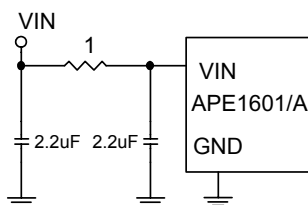
### **Short Circuit Protection**

A current limiting circuit is also included in the APE1601/A for short circuit protection. Whenever output source a dangerously high current, the current limiting circuit takes over the output regulation circuit and reduces the output current at an acceptable level.

## **❖ Application Information**

### **Selecting Capacitors**

To get the better performance of APE1601/A, the selecting of peripherally appropriate capacitor and value is very important. These capacitors determine some parameters such as input and output ripple, power efficiency, maximum supply current by charge pump, and start-up time. To reduce the input and output ripple effectively, the low ESR ceramic capacitors are recommended. Generally, to reduce the output ripple, increasing the output capacitance  $C_{OUT}$  is necessary. However, this will increase the start-up time of output voltage. For LED driver applications, the input voltage ripple is more important than output ripple. Input ripple is controlled by input capacitor  $C_{IN}$ , increasing the value of input capacitance can further reduce the ripple. Practically, the input voltage ripple depends on the power supply's impedance. If a single input capacitor  $C_{IN}$  cannot satisfy the requirement of application, it is necessary to add a low-pass filter as shows in Figure 1.



**Figure1. C-R-C filter used to reduce input ripple**

The flying capacitor C1 and C2 determine the supply current capability of the charge pump and to influence the overall efficiency of system. The lower value will improve efficiency, but it will limit the LED' s current at low input voltage.

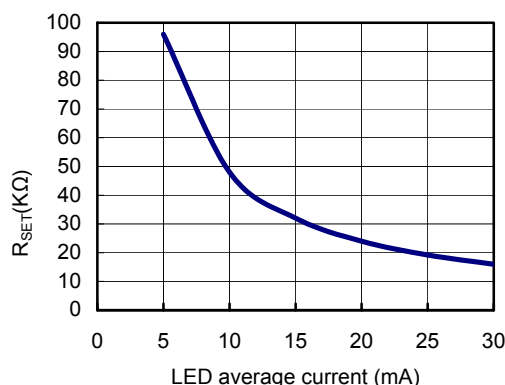
## White LED Driver (120mA Charge Pump with Current Source)

### Setting the LED Current

The APE1601/A can be set a fixed LEDs current by a resistor RSET connected from ISET to GND. RSET establishes the reference current and mirrors the current into LED1, LED2, LED3, and LED4. The current into LED is about 400 times of the current flows through the RSET, the approximate setting formula is given as follows:

$$I_{LED} (A) = 400 \times \left( \frac{1.2V}{R_{SET}} \right) \quad (1)$$

Figure 2 shows the typical value of RSET versus average LED current and Table 2 shows the values of RSET for a fixed LED current.



**Figure 2. The typical curve of RSET vs. LED's average current.**

**Table 2. RSET Value Selection**

$I_{LED}(mA)$	$R_{SET}(K\Omega)$
5	96.0
10	48.0
15	32.0
20	24.0
25	19.2
30	16.0

If maximum accuracy is required, a precision resistor is needed. Equation (2) shows how to calculate the error  $I_{LED(ERR)}$ .

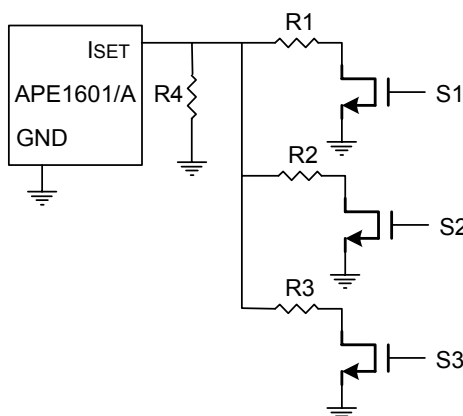
$$I_{LED(ERR)} = \pm \left| \frac{I_{LED(MEASURED)} - I_{LED(SET)}}{I_{LED(SET)}} \right| \times 100\% \quad (2)$$

Where  $I_{LED(MEASURED)}$  is practical LED current  $I_{LED(SET)}$  is LED current which is determined by the  $R_{SET}$ .

**White LED Driver (120mA Charge Pump with Current Source)**

**LED current setting with NMOS**

LED current setting control can also be achieved by using the external NMOS to change equivalent resistor of ISET pin. Figure 3 shows this application circuit of method. For this example, a 3 bit signals can set 8 kinds of different equivalent resistor of ISET pin, i.e. produce 8 kinds of LED current level. Table 3 shows the relation between equivalent resistor of ISET pin and control signal.



**Figure 3. The application circuit of setting LED current which uses a NMOS to set  $R_{SET}$ .**

**Table 3. The relation between control signal and equivalent resistor of ISET pin**

S1	S2	S3	Equivalent Resistor of ISET pin( $R_{SET}$ )
0	0	0	$R_{SET} = R4$
0	0	1	$R_{SET} = R3 // R4$
0	1	0	$R_{SET} = R2 // R4$
0	1	1	$R_{SET} = R2 // R3 // R4$
1	0	0	$R_{SET} = R1 // R4$
1	0	1	$R_{SET} = R1 // R3 // R4$
1	1	0	$R_{SET} = R1 // R2 // R4$
1	1	1	$R_{SET} = R1 // R2 // R3 // R4$

**LED Dimming Control Methods**

The APE1601/A can use two methods to achieve the LED dimming control. These methods are detailed described as following:

**White LED Driver (120mA Charge Pump with Current Source)**

**(1). Dimming using PWM signal into CTRL0 and CTRL1**

LED current can be controlled by applying a PWM signal to CTRL0 or CTRL1. Table 4 shows the relation between CTRLx and 4 LED's current states. For an example, as the CTRL1 is pulled logical high and CTRL0 receives a PWM signal, then, four LEDs will be dimmed synchronously. Here, the PWM signal setting the LED's current ON/OFF can achieve the average LED's current which in design. The application circuit is shown in Figure 4. Figure 5, and Figure 6 show 3WLEDs and 2WLEDs PWM dimming application circuit, respectively. During the time of PWM signal logical low, the current is a fixed value and setting by RSET resistor. So the average LEDs current can be approximated as Equation (3).

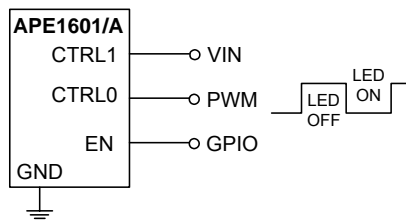
$$I_{LED(AVG)} = \left( \frac{T_{OFF} \times I_{LED(ON)}}{T_{PWM}} \right) \tag{3}$$

Where:

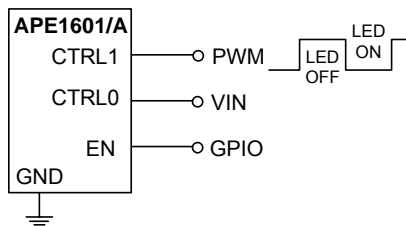
$T_{PWM}$  is the period of PWM dimming signal  $T_{OFF}$  is the time of PWM signal at low.  $I_{LED(ON)}$  is LED on state current.

**Table 4. The relation between CTRLx and 4 LED's current states**

Control Inputs		Output Status			
CTRL1	CTRL0	LED4	LED3	LED2	LED1
0	0	OFF	OFF	ON	ON
0	1	OFF	ON	ON	ON
1	0	ON	ON	ON	ON
1	1	OFF	OFF	OFF	OFF

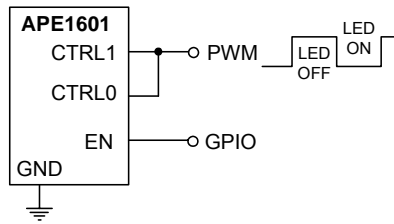


**Figure 4. The PWM dimming application circuit for 4WLEDs**



**Figure 5. The PWM dimming application circuit for 3WLEDs**

**White LED Driver (120mA Charge Pump with Current Source)**



**Figure 6. The PWM dimming application circuit for 2WLEDs**

Besides, APE1601/A has 100us delay time between mode transfer. This delay time makes different dimming frequency corresponds to different maximum duty of CTRLX pin. When the duty cycle of dimming frequency excess maximum duty, the APE1601/As can't transfer the mode normally. Equation (4) shows the relation between maximum duty of CTRLX pin and PWM dimming frequency. Table 5 is shown the common dimming frequency and its corresponding maximum duty. For better performance consideration, the maximum PWM dimming frequency is recommended below 1 kHz.

$$D_{(MAX)} = (1 - 100 \times 10^{-6} \times F_D) \tag{4}$$

Where:  $D_{MAX}$  is Maximum Duty of CTRLX

$F_D$  is PWM Dimming Frequency

**Table 5. The common dimming frequency and its corresponding maximum duty.**

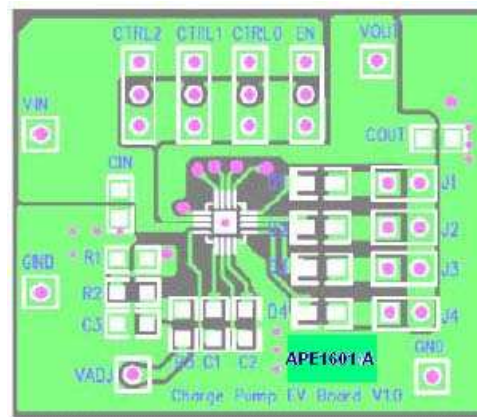
Dimming Frequency (Hz)	CTRLX Maximum Duty	ILED Minimum Duty
1K	0.90	0.10
900	0.91	0.09
800	0.92	0.08
700	0.93	0.07
600	0.94	0.06
500	0.95	0.05
400	0.96	0.04
300	0.97	0.03
200	0.98	0.02



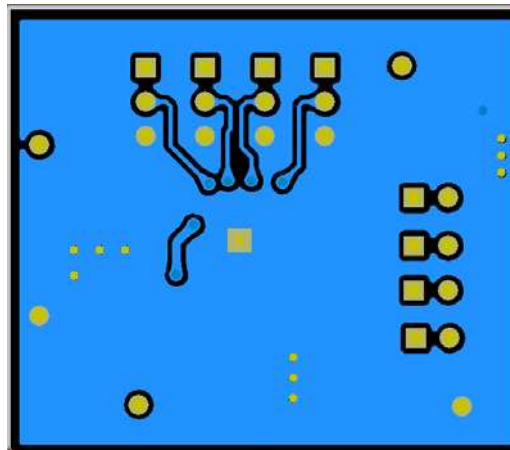
**White LED Driver (120mA Charge Pump with Current Source)**

**PCB Board Layout**

The APE1601/A is a high-frequency switched-capacitor converter. For best performance, place all of the components as close to IC as possible. Besides a solid ground plane is recommended on the bottom layer of the PCB. The ground should be connected CIN and COUT together and as close to the IC as possible. Figure 7 shows the typical layout of APE1601/A's EVB board.



**Top Layer**

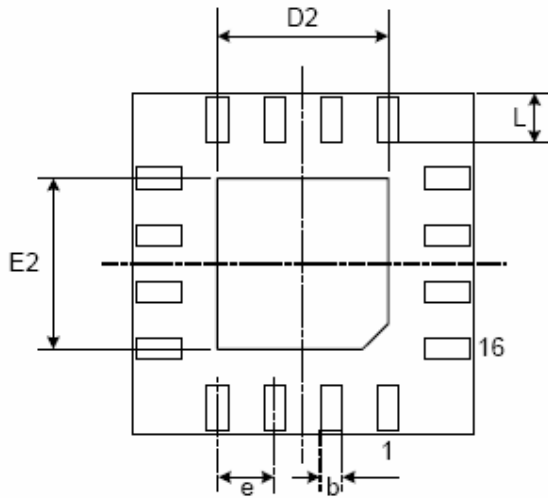


**Bottom Layer**

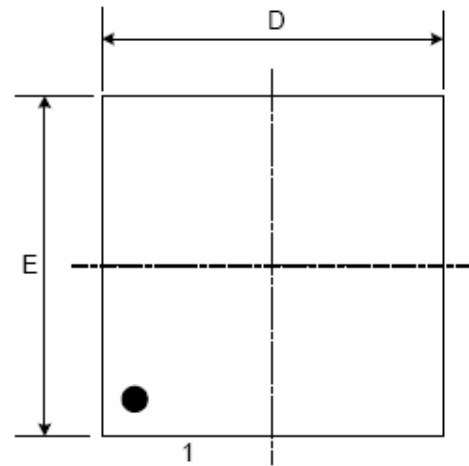
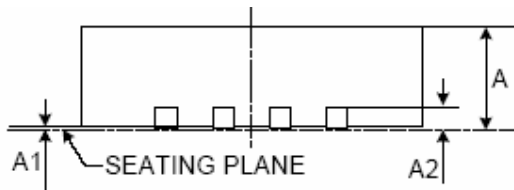
**Figure 7. Typical layout of APE1601/A's EVB board**



## Package Outline : QFN 3x3-16L

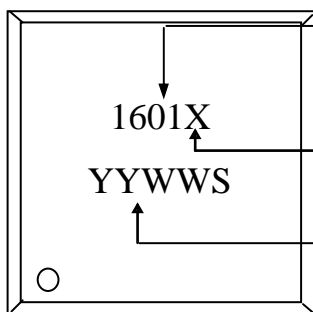


SYMBOLS	Millimeters		
	MIN	NOM	MAX
A	0.750	0.850	0.950
A1	0.000	0.020	0.050
A2	0.175	0.200	0.250
b	0.180	0.230	0.300
D	2.950	3.000	3.050
D2	1.450	1.600	1.750
E	2.950	3.000	3.050
E2	1.450	1.600	1.750
e	0.500		
L	0.350	0.400	0.450
y	0.080		



- 1.All Dimension Are In Millimeters.
- 2.Dimension Does Not Include Mold Protrusions.

## Part Marking Information & Packing : QFN 3x3-16L



Part Number

1601X  
YYWWS

Blank : 1MHz  
A : 250KHz

Date Code (YYWWS)

YY : Last Digit Of The Year

WW : Week

S : Sequence