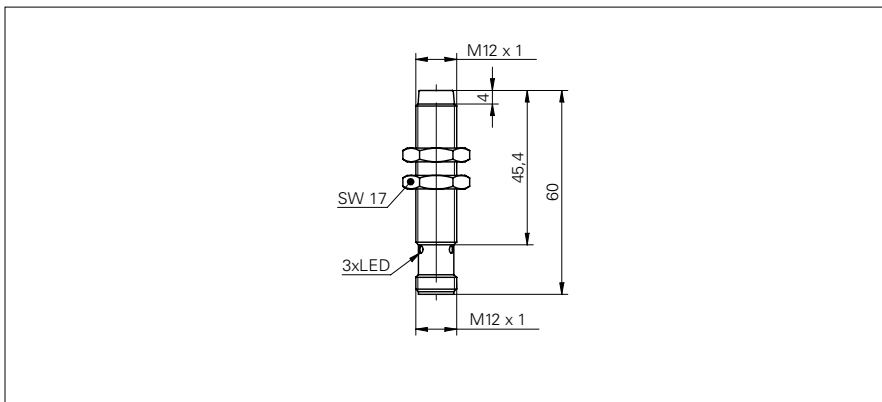


Inductive proximity switch

IFRM 12N33G1/S14L

dimension drawing



general data

mounting type	unshielded
special type	enhanced distance (GammaProx)
nominal sensing distance S_n	10 mm
hysteresis	2 ... 25 % of S_r
output indicator	3 port LED red

electrical data

switching frequency	< 400 Hz
voltage supply range +Vs	12 ... 30 VDC
current consumption max. (no load)	24 mA
output circuit	NPN break function (NC)
voltage drop V_d	< 2 VDC
output current	< 200 mA
short circuit protection	yes
reverse polarity protection	yes

mechanical data

type	cylindrical threaded
material (sensing face)	PBT
housing material	brass nickel plated
dimension	12 mm
housing length	60 mm
connection types	connector M12

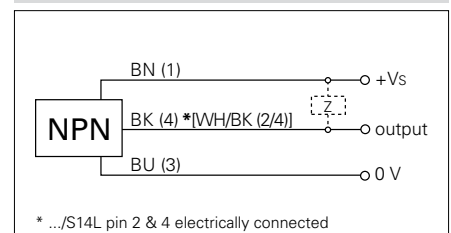
ambient conditions

operating temperature	0 ... +60 °C
protection class	IP 67

photo



connection diagram



- increased sensing distance