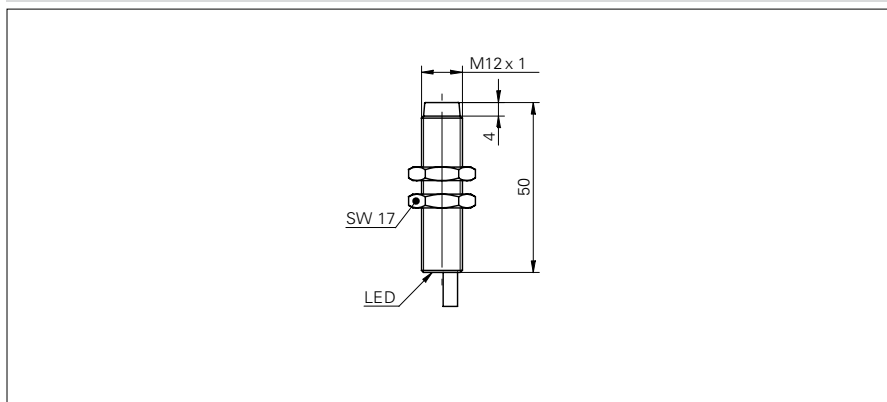


## Inductive proximity switch

## IFRM 12N13G1/L

## dimension drawing



## general data

mounting type	unshielded
special type	enhanced distance (GammaProx)
nominal sensing distance $S_n$	10 mm
hysteresis	2 ... 25 % of $S_r$
output indicator	LED red

## electrical data

switching frequency	< 400 Hz
voltage supply range +Vs	12 ... 30 VDC
current consumption max. (no load)	24 mA
output circuit	NPN make function (NO)
voltage drop $V_d$	< 2 VDC
output current	< 200 mA
short circuit protection	yes
reverse polarity protection	yes

## mechanical data

type	cylindrical threaded
material (sensing face)	PBT
housing material	brass nickel plated
dimension	12 mm
housing length	50 mm
connection types	cable, 2 m

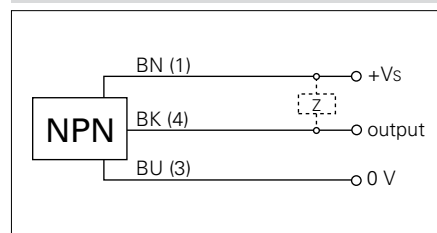
## ambient conditions

operating temperature	0 ... +60 °C
protection class	IP 67

## photo



## connection diagram



- increased sensing distance