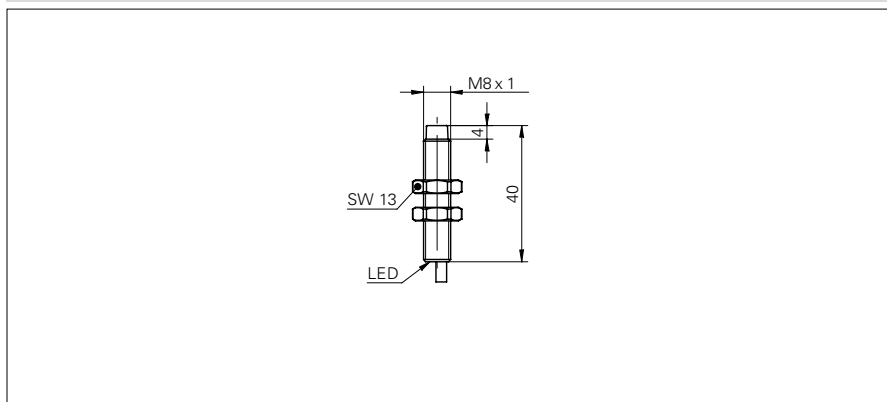


Inductive proximity switch

IFRM 08P13G1/L

dimension drawing



general data

mounting type	unshielded
special type	enhanced distance (GammaProx)
nominal sensing distance S_n	6 mm
hysteresis	2 ... 25 % of S_r
output indicator	LED red

electrical data

switching frequency	< 400 Hz
voltage supply range +Vs	12 ... 30 VDC
current consumption max. (no load)	18 mA
output circuit	PNP make function (NO)
voltage drop V_d	< 2 VDC
output current	< 200 mA
short circuit protection	yes
reverse polarity protection	yes

mechanical data

type	cylindrical threaded
material (sensing face)	PBT
housing material	stainless steel
dimension	8 mm
housing length	40 mm
connection types	cable, 2 m

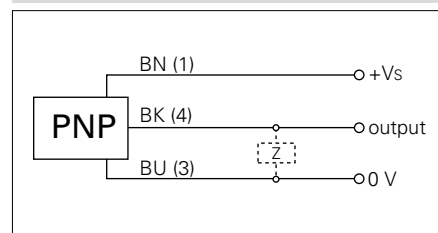
ambient conditions

operating temperature	0 ... +60 °C
protection class	IP 67

photo



connection diagram



- triple sensing distance