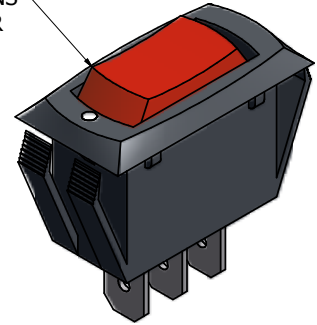
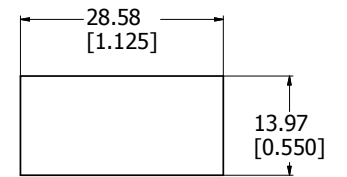


0.032" x 0.250"
QUICK CONNECT TAB
(x3)

RED LENS
COLOUR



ISOMETRIC VIEW



PANEL CUTOUT
(NOT TO SCALE)

1584S3
Ratings - 125 VAC, 15 Amps
Material - Body - Polyamide 6/6 (Black)
Actuator - Polycarbonate (Red)
Recommended Panel Thickness - 1mm to 2mm



**HAMMOND
MANUFACTURING™**



1584S3