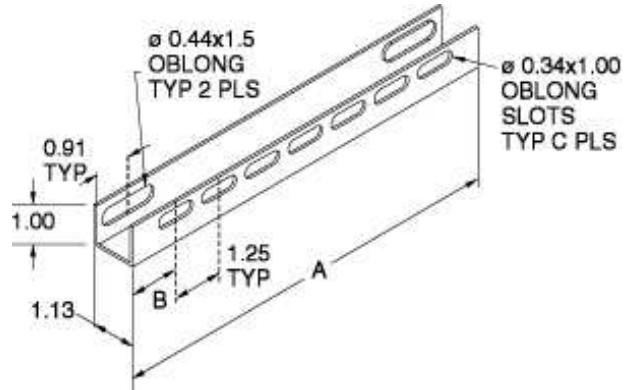


## DIN Rail Mounting Kit *DRMK Series*

- Field installable.
- Mounts directly to panel collar studs (panel not required).
- Accepts optional DIN rails.
- DIN rails available separately.
- Zinc plated, yellow dichromate.



Part No.	A	B	C
<b>2DMK12</b>	10.00	1.25	7.00
<b>2DMK16</b>	14.00	0.75	11.00
<b>2DMK20</b>	18.00	0.88	14.00
<b>2DMK24</b>	22.00	1.00	17.00
<b>2DMK30</b>	28.00	0.88	22.00

*Data subject to change without notice.*