

MEX2-MEX3-MEM2-MEM3 Industrial Pressure Gauges

Can be used in corrosive gases and liquids that are not crystallizing

Accuracy Class 1.6

Bourdon tube stainless steel (MEX) or monel (MEM)

Fully welded process connection

Without or with dampening fluid

Conform to EN 837-1 standard and Pressure Directive PED 97/23/CE

Approval Lloyd's Register

Pressure gauges intended for process industries such as chemical, petro-chemical, energy or gas industries.

These pressure gauges have been designed to satisfy requirements to operate in aggressive environments.



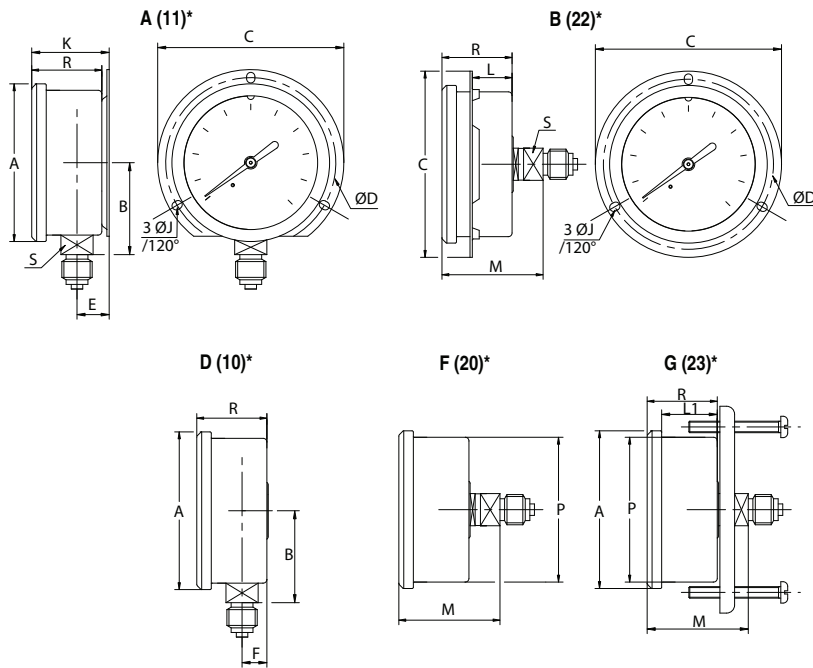
Technical Data (20°C)

Nominal sizes	MEX2 50 mm MEX3 63 mm	Options	
Measurement range	MEX -1 ... 0 to 0 ... 1000 bar MEM2 -1 ... 0.6 to 0 ... 400 bar MEM3 -1 ... 0 to 0 ... 600 bar	Accuracy class 1 (1.6 bar < P < 1000 bar)	<i>Code 0841</i>
Working pressure	Steady : 75% FS Fluctuating : 60% FS Short time : 100% FS	Version Ex (ATEX II2 GDC-IM2c) (included option code 0751)	<i>Code 0078</i>
Accuracy class	1.6	Safety laminated glass in Triplex	<i>Code 0751</i>
Protection rating	IP 65 (EN 60529)	Polycarbonate window	<i>Code 0753</i>
Process connection		Oxygen application (MEX2-MEM2)	<i>Code 0765</i>
Type	G1/4, 1/4NPT	Restrictor screw Ø 0.3	<i>Code 0769</i>
Material	MEX St. steel 1.4404 (AISI 316L) MEM Monel 400	St. steel 1.4404 (AISI 316L) solid drawn Bourdon tube	<i>Code 0816</i>
Case	MEX St. steel 1.4301 (AISI 304) (option 1.4404) MEM Monel 400	Micro metric pointer (P ≥ 1.6 bar) (MEX3-MEM3)	<i>Code 0678</i>
Bezel ring	St. steel 1.4301 (AISI 304) (option 1.4404)	Material certificate EN10204 3.1	<i>Code Q1229</i>
Bourdon tube	MEX St. steel 1.4404 (AISI 316L) MEM Monel 400	Calibration certificate EN837-1 (5 points raising and 5 points falling)	<i>Code Q1070</i>
Movement	St. steel	Lloyd's Register approval	<i>Code 0827</i>
Window	Instrument glass		
Window gasket	Elastomer		
Dial	Aluminium		
Pointer	Plastic		
Temperature	Ambient -20 ... +70°C Process -40 ... +200°C (not filled) Process -20 ... +70 °C (filled BH1) (The gauge temperature does not exceed +70°C) Storage -40 ... +70°C Drift ± 0.4% FS/10°C		
Safety	S1 included with option 0751 or 0078 Pressure gauge with blow-out device		



Baumer

Dimensions - Types of mounting



NS Ø	Weight kg	
50	Dry	0.10
63		0.13
50	Filled	0.15
63		0.18

	MEX2 (mm)	MEX3 (mm)
A	55.6	68.8
B	34	40.4
C	68	81
D	60	75
E	14	14
F	11	10.8
J	3.6	3.6
K	34	34
L	17.3	17.3
L1	23.5	23.5
M	44	44
P	51	63
R	30.5	30.2
S	14	14

Panel cut-outs for types B MEX2 = Ø 53.5 mm
MEX3 = Ø 65.5 mm

(*according to EN837-1)

Ordering Details - MEX2-MEX3-MEM2-MEM3

		MExxxxxxx	
Model	1' ... 3' digit	MEX	
All Stainless steel Pressure Gauge			
Pressure Gauge with monel Bourdon tube (1)		MEM	
Nominal size	4' digit		
50 mm		2	
63 mm		3	
Type of mounting	5' digit		
Stainless steel case and bezel ring 1.4301 (standard)			
Bottom connection, 3 back lugs fixing			A
Back connection, front flange, 3 mounting holes			B
Bottom connection		▶	D
Back connection		▶	F
Back connection with clamp			G
Stainless steel case and bezel ring 1.4404 (AISI 316L)			
Bottom connection, 3 back lugs fixing			1
Back connection, front flange, 3 mounting holes			2
Bottom connection			4
Back connection			6
Back connection with clamp			7
Process connection	6' digit		
G1/4		▶	2
1/4NPT		▶	5
Liquid filling	7' digit		
Dry		▶	0
BH1 (glycerin/water) (-20 ... +70°C)			1
BH2 (glycerin) (+10 ... +90°C)			2
BH3 (silicone) (-40 ... +100°C)			3
BH5 (oxygen 160 bar max.) (-15 ... +100°C)			5
Unit of measurement	8' digit		
bar		▶	B
kPa		▶	D
kg/cm ²			F
psi		▶	H
Pressure ranges	9' ... 10' digit		
See table			xx

(▶ Standard version)

code	Bar	code	Psi
59	-1 + 0	59	-30"Hg + 0
72	-1 + 0.6	73	-30"Hg + 15
74	-1 + 1.5	75	-30"Hg + 30
76	-1 + 3	2C	-30"Hg + 60
77	-1 + 5	78	-30"Hg + 100
79	-1 + 9	79	-30"Hg + 150
81	-1 + 15	81	-30"Hg + 220
82	-1 + 24	82	-30"Hg + 300
15	0 + 1	15	0 + 15
16	0 + 1.6	1C	0 + 20
18	0 + 2.5	17	0 + 30
19	0 + 4	19	0 + 60
20	0 + 6	21	0 + 100
22	0 + 10	22	0 + 160
24	0 + 16	23	0 + 200
26	0 + 25	25	0 + 300
27	0 + 40	26	0 + 400
29	0 + 60	27	0 + 600
31	0 + 100	30	0 + 1000
33	0 + 160	31	0 + 1500
35	0 + 250	34	0 + 3000
38	0 + 400	38	0 + 6000
39	0 + 600	39	0 + 9000
41	0 + 1000	41	0 + 15000

(1) Monel Version (MEM) is not available in codes 39, 41 and 59

EN/2012-05-31 This data sheet may only be reproduced in full