

MAN7-MMF7 Solid Front Pressure Gauges not fillable

Can be used in corrosive gases and liquids that are not crystallizing

Accuracy Class 1

Bourdon tube stainless steel (MAN) or Monel (MMF)

Without or with dampening fluid

Safety version S3 according to European Standard EN 837-1

Conform to European Pressure Equipment Directive (PED) 97/23/CE

Approval Lloyd's Register

These pressure gauges are well suited for the process industry applications including : Petrochemical, Chemical plants, Energy ...

These versions have been developed with solid baffle wall and blow-out back which immediately releases in the event of accidental tube rupture.



Technical Data (20°C)

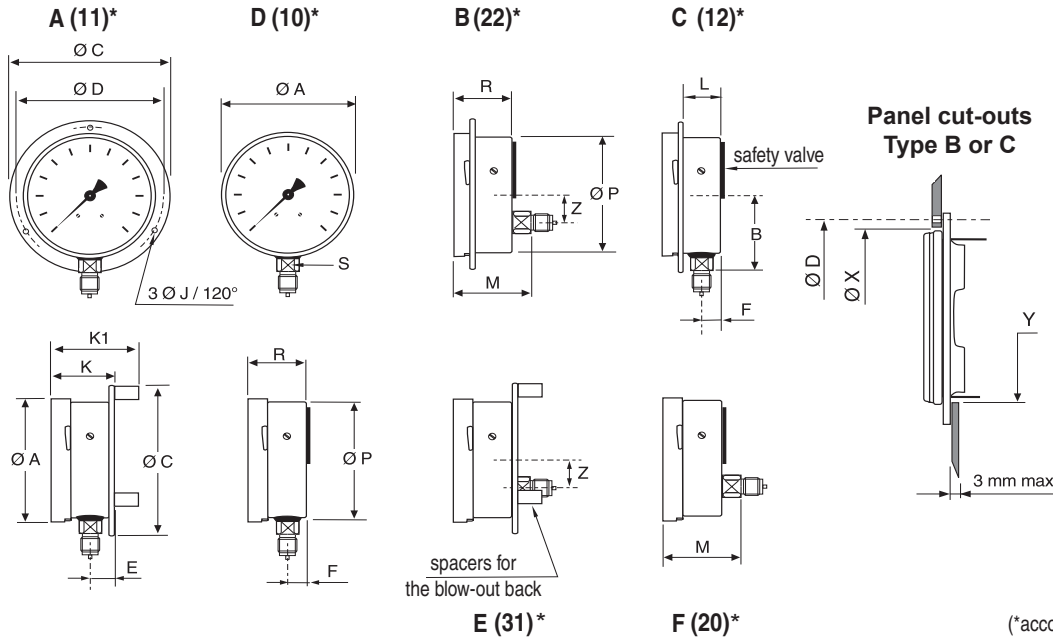
Nominal size	150 mm
Measurement range	MAN -1 ... 0 to 0 ... 1600 bar MMF -1 ... 0 to 0 ... 600 bar
Working pressure (-1 ≤ P ≤ 600 bar)	Steady : 100% FS Fluctuating : 90% FS Short time : 130% FS
(P ≥ 1000 bar)	Steady : 75% FS Fluctuating : 60% FS Short time : 100% FS
Accuracy class	1
Protection rating	IP 52 (EN 60529)
Process connection	
Type	G1/4, 1/4NPT, G1/2, 1/2NPT
Material	MAN St. steel 1.4404 (AISI 316L) MMF Monel 400
Case	St. steel 1.4301 (AISI 304) (option 1.4404)
Bezel ring	St. steel 1.4301 (AISI 304) (option 1.4404)
Bourdon tube	MAN St. steel 1.4404 (AISI 316L) MMF Monel 400
Movement	St. steel
Window	Instrument glass
Window gasket	Elastomer
Dial	Aluminium
Pointer	Aluminium
Temperature	Ambient -20 ... +70°C Process -40 ... +200°C (not filled) Process -20 ... +70°C (filled BH1) (The gauge temperature does not exceed +70°C) Storage -40 ... +70°C Drift ± 0.4% FS/10°C
Safety	S3 Safety pattern gauge with baffle wall and blow-out back

Options			
Accuracy class	0.5	P > 1 bar	Code 0843
	0.6	P > 1 bar	Code 0840
Version Ex (ATEX II2 GDC-IM2c) (included in the code 0751)			Code 0078
Safety laminated glass in Triplex			Code 0751
Polycarbonate window			Code 0753
Oxygen application			Code 0765
Restrictor screw Ø 0.5			Code 0771
St. steel 1.4404 (AISI 316L) solid drawn Bourdon tube (MAN)			Code 0816
Micro metric pointer (P ≥ 1.6 bar)			Code 0678
Friction pointer			Code 0679
Material certificate EN10204 3.1			Code Q1229
Calibration certificate EN837-1 (5 points raising and 5 points falling)			Code Q1070
Lloyd's Register approval			Code 0827



Baumer

Dimensions - Types of mounting



Dimensions	
A	150.2
B	85
C	180
D	168
E	25.5
F	23.5
J	5.5
K	56.5
K1	71
L	37.5
M	68.5
P	142
R	54.5
S	∅22
X	151
Y	145
Z	31.5

Weight in kg Type D	
	0.880

(*according to EN837-1)

Ordering details - MAN7 - MMF7

		Mxx7xx0xxx
Model	1'...3' digit	MAN MMF
All Stainless steel Pressure Gauge Pressure gauge with monel Bourdon tube (1)		
Nominal size	4' digit	7
150 mm		
Type of mounting	5' digit	A B C D E F
Stainless steel case and bezel ring 1.4301 (standard)		
Bottom connection, 3 back lugs fixing		
Back connection, front flange, 3 mounting holes		
Bottom connection, front flange		
Bottom connection		
Back connection, 3 back lugs fixing		
Back connection		
Stainless steel case and bezel ring 1.4404 (AISI 316L)		
Bottom connection, 3 back lugs fixing		
Back connection, front flange, 3 mounting holes		
Bottom connection, front flange		
Bottom connection		
Back connection, 3 back lugs fixing		
Back connection		
Process connection	6' digit	1 2 3 4 5 6
G 1/4		
G 1/2		
1/4 NPT		
1/2 NPT		
Liquid filling	7' digit	0
Dry		
Unit of measurement	8' digit	B D F H
bar		
kPa		
kg/cm ²		
psi		
Pressure ranges	9'...10' digit	xx
See table		

(▶ Standard version)

bar, kPa	bar	kPa	psi	psi
59	-1 + 0	-100 + 0	59	-30"Hg + 0
72	-1 + 0.6	-100 + 60	73	-30"Hg + 15
74	-1 + 1.5	-100 + 150	75	-30"Hg + 30
76	-1 + 3	-100 + 300	2C	-30"Hg + 60
77	-1 + 5	-100 + 500	78	-30"Hg + 100
79	-1 + 9	-100 + 900	79	-30"Hg + 150
81	-1 + 15	-100 + 1500	81	-30"Hg + 220
82	-1 + 24	-100 + 2400	82	-30"Hg + 300
12	0 + 0.6	0 + 60	13	0 + 10
15	0 + 1	0 + 100	15	0 + 15
16	0 + 1.6	0 + 160	1C	0 + 20
18	0 + 2.5	0 + 250	17	0 + 30
19	0 + 4	0 + 400	19	0 + 60
20	0 + 6	0 + 600	21	0 + 100
22	0 + 10	0 + 1000	22	0 + 160
24	0 + 16	0 + 1600	23	0 + 200
26	0 + 25	0 + 2500	25	0 + 300
27	0 + 40	0 + 4000	26	0 + 400
29	0 + 60	0 + 6000	27	0 + 600
31	0 + 100	0 + 10000	30	0 + 1000
33	0 + 160	0 + 16000	31	0 + 1500
35	0 + 250	0 + 25000	34	0 + 3000
38	0 + 400	0 + 40000	38	0 + 6000
39	0 + 600	0 + 60000	40	0 + 10000
41	0 + 1000	0 + 100000	41	0 + 15000
42	0 + 1600	0 + 160000	1D	0 + 20000

(1) Monel version (MMF) is not available in codes 42 & 1D

EN/2012-04-02 This data sheet may only be reproduced in full