

MFP7 High pressure industrial pressure gauges

Ø 150

High pressure pressure gauge

Accuracy $\pm 1.6\%$

Safety shield

Pressure Directive PED 97/23/CE



The MFP7 is a very tough, high quality, high pressure industrial pressure gauge. The pressure ranges cover 0-2000 to 0-4000 bar. This range of pressure gauge is designed principally for high pressure applications, hydraulic systems and test benches. A special high pressure chemical seal (optional) can be fitted to the MFP7 pressure gauge for use with aggressive fluids.

Specifications (20 °C)

Measurement range	From 0...4000 bar
Working pressure	Steady: 75% of full scale value Short time: 100% of full scale value
Accuracy	Class 1.6 (class 2 for 4000 bar)
Environmental protection	IP 54 in accordance with EN 60529
Sensing element and connection	

CONNECTOR MATERIAL	Stainless steel	
CONNECTOR	22 AF (G1/2) or 27 AF (M16x1.5 female)	
THREAD	G 1/2 \leq 2500 bar M18x1.5 female for 6.35 tube \geq 3000 bar	
SENSING MATERIAL	Iron alloy - Nickel - Chrome (Nispan C)	
TUBE / CONNECTOR JOINT	welded: 2000 bar	screwed \geq 2500 bar
OPERATING TEMPERATURE		
Ambient temperature	-20...60 °C	

Housing	Painted aluminium alloy
Bezel	Screwed aluminium alloy
Window	Polycarbonate
Window seal	Nitrile rubber
Movement	Copper alloy
Dial	Aluminium alloy Numbers and marking black on white background The scale acts as a safety, black
Pointer	Stainless steel, balanced, black
Safety vent	On the back of the pressure gauge

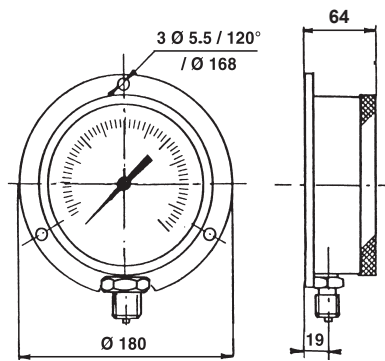
Options

Maximum pressure needle with reset. Code 0060
Contacts
Liquid filled

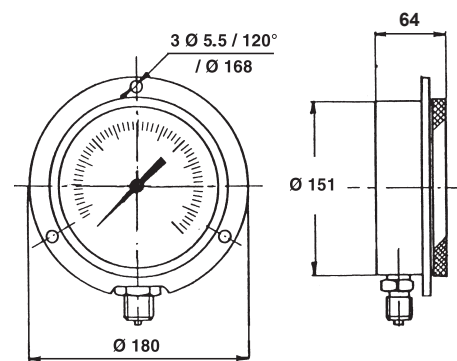


Baumer

Dimensions (mm)



Type A (11)



Type C (12)

Type ø	Weight	
	A	C
150	1530	1530

Codification - MFP7

		MFP7xx0xxx
Model	1'...3' digit	
Pressure gauges		MFP
Dial diameter	4' digit	
150 mm		7
Type of mounting	5' digit	
Bottom connection, back flange		A
Bottom connection, front flange		C
Connector thread	6' digit	
G1/2 (max. 2500 bar)		3
M16 x 1.5 female for 6.35 tube		U
Filling	7' digit	
none		0
Unit of measurement	8' digit	
bar		B
psi		H
Pressure range	9'...10' digit	
See codes in table		xx

code	Measurement scale (bar)	Measurement scale (psi)
43	0 + 2000	0 + 30000
96	0 + 2500	-
44	0 + 3000 ⁽¹⁾	-
45	0 + 4000 ⁽¹⁾	0 + 60000 ⁽¹⁾

⁽¹⁾ M16x1.5 female only

EN/2011-06-07 This data sheet may only be reproduced in full