

# Incremental encoders

End shaft  $\varnothing 10$  to  $\varnothing 14$  mm

Resolution 50...1024 pulses

## ITD 20 A 4 Y109



ITD 20 A 4 Y109 with end shaft

### Technical data - electrical ratings

Voltage supply	5 VDC $\pm 5\%$ 8...30 VDC
Reverse polarity protection	Yes
Consumption w/o load	$\leq 100$ mA
Resolution (steps/turn)	50...1024
Reference signal	Zero pulse, width $90^\circ$
Sensing method	Optical
Output frequency	$\leq 120$ kHz
Output signals	A, B, N + inverted
Output circuit	TTL linedriver (short-circuit proof) HTL push-pull (short-circuit proof)
Interference immunity	DIN EN 61000-6-2
Emitted interference	DIN EN 55011

### Features

- Encoder with end shaft  $\varnothing 10$ -14 mm
- Resolution max. 1024 ppr
- Optical sensing
- Anodised version
- Mounting by torque support
- TTL or HTL output signals
- Cable output radial
- High protection standard

### Optional

- Cable with connector

### Technical data - mechanical design

Dimensions (flange)	$\varnothing 68$ mm
Shaft	$\varnothing 10$ mm end shaft $\varnothing 12$ mm end shaft $\varnothing 14$ mm end shaft
Motor shaft tolerance	0.25 mm axial 0.1 mm radial
Mounting kit variant	038
Protection DIN EN 60529	IP 66
Operating speed	$\leq 5000$ rpm
Starting torque	$\leq 0.03$ Nm
Materials	Housing: aluminium, anodised Shaft: stainless steel
Operating temperature	$-20 \dots +70$ °C
Relative humidity	90 % non-condensing
Resistance	DIN EN 60068-2-6 Vibration 10 g, 55-2000 Hz DIN EN 60068-2-27 Shock 100 g, 11 ms
Connection	Cable 1 m
Weight approx.	410 g

# Incremental encoders

End shaft  $\varnothing 10$  to  $\varnothing 14$  mm

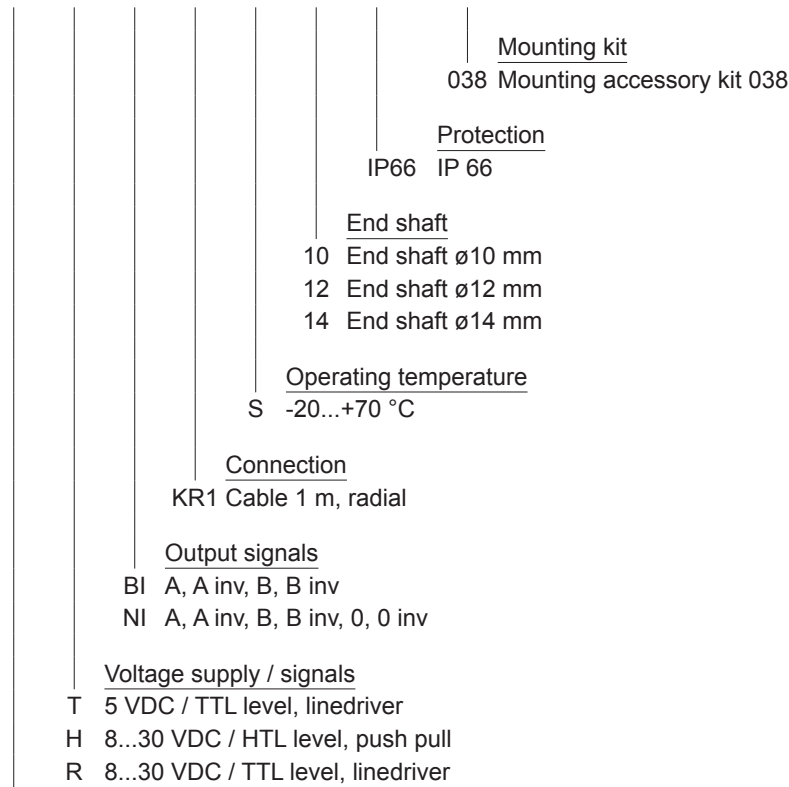
Resolution 50...1024 pulses

ITD 20 A 4 Y109

## Part number

ITD 20 A 4 Y109 

			KR1	S		IP66	038
--	--	--	-----	---	--	------	-----



See part number (pulses)

## Part number (pulses)

50	90	200	360	600
60	100	250	400	1000
64	120	254	500	1024
88	128	256	512	

# Incremental encoders

End shaft  $\varnothing 10$  to  $\varnothing 14$  mm

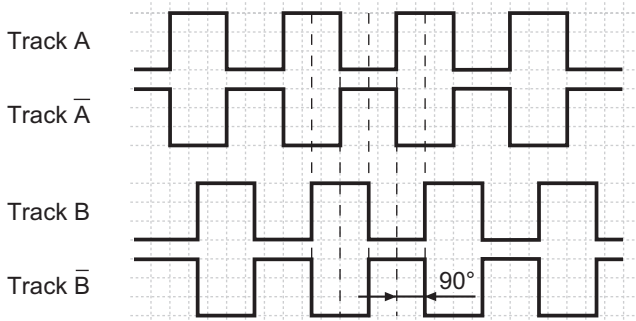
Resolution 50...1024 pulses

## ITD 20 A 4 Y109

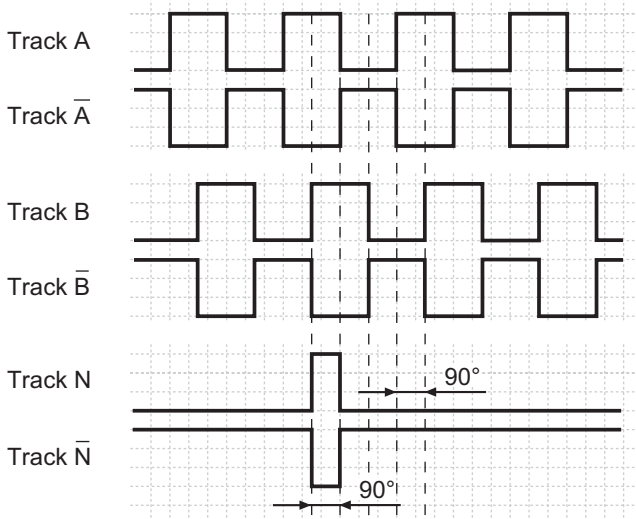
### Output signals

Clockwise rotation when looking at the mounting side.

#### BI-Output signals



#### NI-Output signals



### Terminal assignment

Core colour	Assignment
brown	Track A
green	Track A inv.
grey	Track B
pink	Track B inv.
red	Track N
black	Track N inv.
brown 0,5 mm <sup>2</sup>	UB
white 0,5 mm <sup>2</sup>	GND
blue	UB-Sense
white	GND-Sense
transparent	Shield/Housing

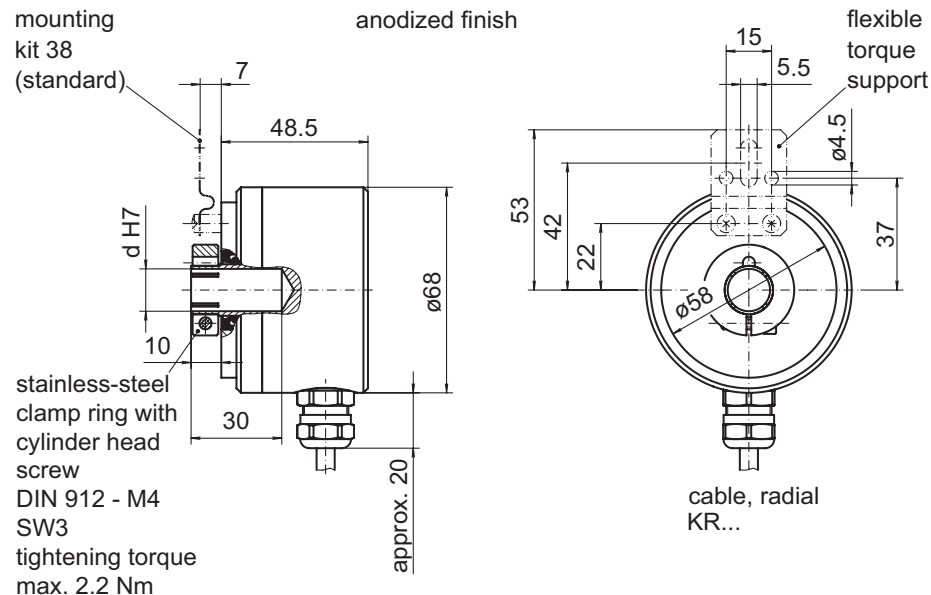
### Trigger level

Outputs	Linedriver
Output level High	$\geq 2.4$ V
Output level Low	$\leq 0.5$ V
Load	$\leq 70$ mA

Outputs	Push-pull short-circuit proof
Output level High	$\geq UB - 3$ V
Output level Low	$\leq 1.5$ V
Load	$\leq 70$ mA

### Dimensions



029- 1 Y109

# **Incremental encoders**

**End shaft  $\varnothing$ 10 to  $\varnothing$ 14 mm**

**Resolution 50...1024 pulses**

---

**ITD 20 A 4 Y109**