

Incremental encoders

End shaft $\varnothing 10$ to $\varnothing 14$ mm

Resolution 2...60 pulses

ITD 2 A 4 Y22



ITD 2 A 4 Y22 with end shaft

Features

- Encoder with end shaft $\varnothing 10$ -14 mm
- Resolution max. 60 ppr
- Optical sensing
- Mounting by torque support
- TTL or HTL output signals
- Flange socket radial

Technical data - electrical ratings

Voltage supply	5 VDC ± 5 % 8...30 VDC
Reverse polarity protection	Yes
Consumption w/o load	≤ 100 mA
Resolution (steps/turn)	2...60
Reference signal	Zero pulse, width 90°
Sensing method	Optical
Output frequency	≤ 120 kHz
Output signals	A, B, N + inverted
Output circuit	TTL linedriver (short-circuit proof) HTL push-pull (short-circuit proof)
Interference immunity	DIN EN 61000-6-2
Emitted interference	DIN EN 55011

Technical data - mechanical design

Dimensions (flange)	$\varnothing 58$ mm
Shaft	$\varnothing 10$ mm end shaft $\varnothing 12$ mm end shaft $\varnothing 14$ mm end shaft
Motor shaft tolerance	0.25 mm axial 0.1 mm radial
Mounting kit variant	002
Protection DIN EN 60529	IP 65
Operating speed	≤ 8000 rpm
Starting torque	≤ 0.01 Nm
Materials	Housing: aluminium, black, powder-coated Shaft: stainless steel
Operating temperature	$-20 \dots +70$ °C
Relative humidity	90 % non-condensing
Resistance	DIN EN 60068-2-6 Vibration 10 g, 55-2000 Hz DIN EN 60068-2-27 Shock 100 g, 11 ms
Connection	Connector M23 type 2, 12-pin
Weight approx.	280 g

Incremental encoders

End shaft $\varnothing 10$ to $\varnothing 14$ mm

Resolution 2...60 pulses

ITD 2 A 4 Y22

Part number

ITD 2 A 4 Y22 D2SR12 S IP65 002

Mounting kit

002 Mounting accessory kit 002

Protection

IP65 IP 65

End shaft

10 End shaft $\varnothing 10$ mm

12 End shaft $\varnothing 12$ mm

14 End shaft $\varnothing 14$ mm

Operating temperature

S -20...+70 °C

Connection

D2SR12 Flange socket type 2, pin contacts, radial, 12-pin

Output signals

BI A, A inv, B, B inv

NI A, A inv, B, B inv, 0, 0 inv

Voltage supply / signals

T 5 VDC / TTL level, linedriver

H 8...30 VDC / HTL level, push pull

R 8...30 VDC / TTL level, linedriver

See part number (pulses)

Part number (pulses)

2	14	20	30
5	15	21	32
10	16	23	50
12	18	25	60

Accessories

Connectors and cables

11072792 Connector S2BG12 with cable (ITD) L = 1 m

Incremental encoders

End shaft $\varnothing 10$ to $\varnothing 14$ mm

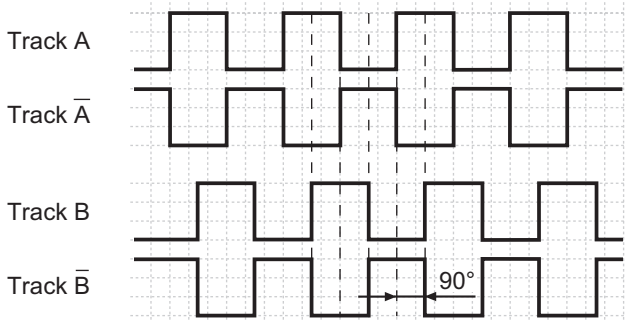
Resolution 2...60 pulses

ITD 2 A 4 Y22

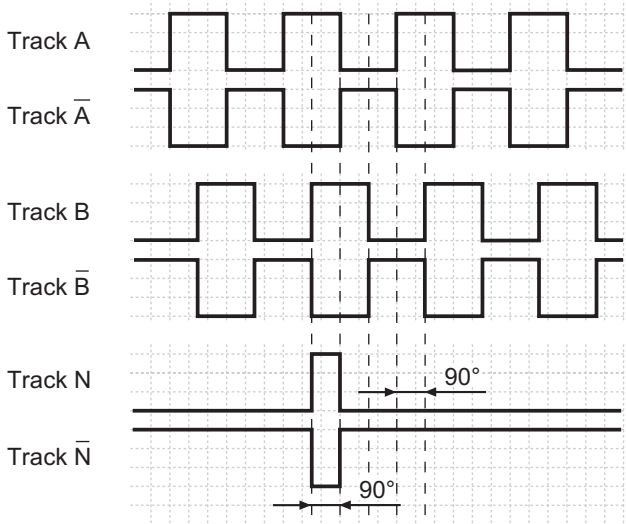
Output signals

Clockwise rotation when looking at the mounting side.

BI-Output signals

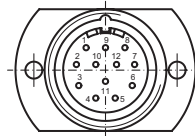


NI-Output signals



Terminal assignment

Connector	Assignment
Pin 5	Track A
Pin 6	Track A inv.
Pin 8	Track B
Pin 1	Track B inv.
Pin 3	Track N
Pin 4	Track N inv.
Pin 12	UB
Pin 10	GND
Pin 2	UB-Sense
Pin 11	GND-Sense
Pin 9	-
Pin 7	-

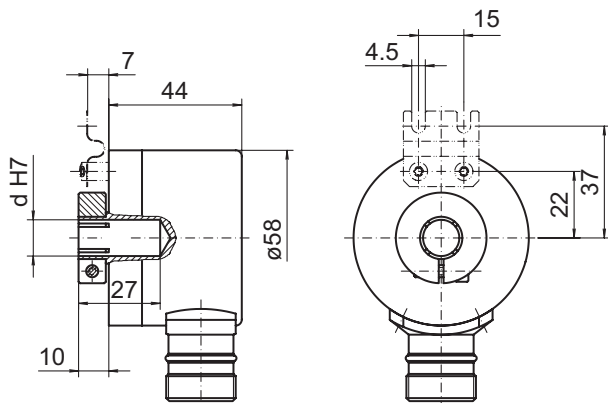


Trigger level

Outputs	Linedriver
Output level High	≥ 2.4 V
Output level Low	≤ 0.5 V
Load	≤ 70 mA

Outputs	Push-pull short-circuit proof
Output level High	$\geq UB - 3$ V
Output level Low	≤ 1.5 V
Load	≤ 70 mA

Dimensions



029- 1 Y22

Incremental encoders

End shaft \varnothing 10 to \varnothing 14 mm

Resolution 2...60 pulses

ITD 2 A 4 Y22