

Incremental encoders

Shaft $\varnothing 6$ mm with synchro flange

Resolution 4...1024 pulses

ITD 06 B14 Y13



ITD 06 B14 Y13 with synchro flange

Features

- Encoder with shaft $\varnothing 6$ mm
- Resolution max. 1024 ppr
- Magnetic sensing
- Centering alignment $\varnothing 24$ mm, mounting screw hole circle $\varnothing 20$ mm
- High protection IP 66
- TTL or HTL output signals
- Cable output radial or axial

Optional

- Cable with connector

Technical data - electrical ratings

Voltage supply	5 VDC ± 5 % 8...30 VDC
Reverse polarity protection	Yes
Consumption w/o load	≤ 100 mA
Resolution (steps/turn)	4...1024
Reference signal	Zero pulse, width 90°
Sensing method	Magnetic
Output frequency	≤ 120 kHz
Output signals	A 90° B, N + inverted
Output circuit	TTL Push-pull short-circuit proof

Technical data - mechanical design

Dimensions (flange)	$\varnothing 24$ mm
Shaft	$\varnothing 6$ mm
Shaft loading	≤ 10 N axial ≤ 20 N radial
Flange	Synchro flange
Protection DIN EN 60529	IP 66
Operating speed	≤ 10000 rpm
Starting torque	≤ 0.008 Nm
Materials	Housing: aluminium Shaft: stainless steel
Operating temperature	$-30...+85$ °C
Relative humidity	90 % non-condensing
Resistance	DIN EN 60068-2-6 Vibration 10 g, 55-2000 Hz DIN EN 60068-2-27 Shock 100 g, 11 ms
Connection	Cable 1 m
Weight approx.	160 g

Incremental encoders

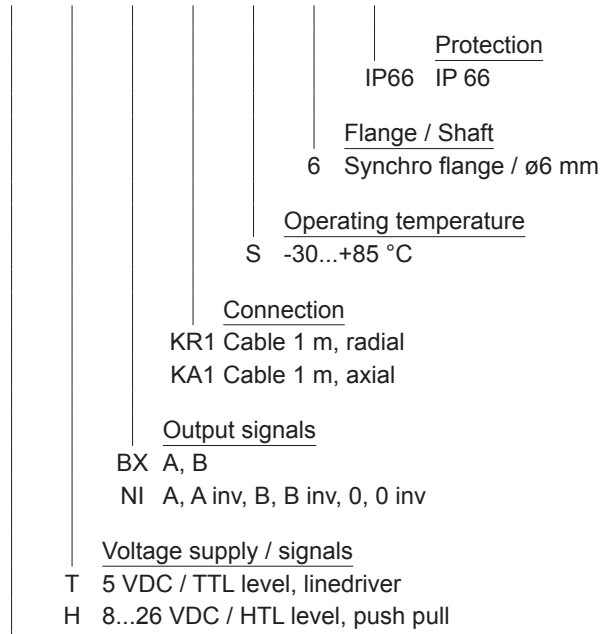
Shaft $\varnothing 6$ mm with synchro flange
Resolution 4...1024 pulses

ITD 06 B14 Y13

Part number

ITD 06 B14 Y13

				S	6	IP66
--	--	--	--	---	---	------



See part number (pulses)

Part number (pulses)

4	50	128	400	1024
8	60	200	500	
16	64	250	512	
32	100	256	1000	

Incremental encoders
Shaft \varnothing 6 mm with synchro flange
Resolution 4...1024 pulses

ITD 06 B14 Y13