

Incremental encoders

Mini series end shaft max. $\varnothing 12$ mm

Resolution 2...1024 pulses

BRIH 40 - EcoMag



BRIH 40 with end shaft

Features

- Mini encoder with end shaft max. $\varnothing 12$ mm
- Magnetic sensing
- Resolution max. 1024 ppr
- Housing $\varnothing 40$ mm
- High resistance to shock and vibrations
- Wide pulse number range

Technical data - electrical ratings

Voltage supply	5 VDC ± 10 % 20...28 VDC
Consumption w/o load (typ.)	25 mA (5 VDC) 30 mA (24 VDC)
Resolution (steps/turn)	2...1024
Reference signal	Zero pulse, width 90°
Sensing method	Magnetic
Output frequency	≤ 320 kHz
Output signals	A 90° B, N + inverted
Output circuit	Antivalent Push-pull short-circuit proof
Interference immunity	DIN EN 61000-6-2
Emitted interference	DIN EN 61000-6-3
Approval	UL approval / E217823

Technical data - mechanical design

Dimensions (flange)	$\varnothing 40$ mm
Shaft	$\varnothing 6$ mm end shaft $\varnothing 12$ mm end shaft
Protection DIN EN 60529	IP 65
Operating speed	≤ 6000 rpm
Operating torque typ.	0.0075 Nm
Materials	Housing: polyamide black Flange: aluminium
Operating temperature	-20...+85 °C (only 5 VDC) -20...+65 °C
Relative humidity	95 % non-condensing
Resistance	DIN EN 60068-2-6 Vibration 30 g, 10-2000 Hz DIN EN 60068-2-27 Shock 100 g, 6 ms
Connection	Connector M9, 5-pin Connector M9, 8-pin Cable 1 m
Weight approx.	120 g

Incremental encoders

Mini series end shaft max. $\varnothing 12$ mm

Resolution 2...1024 pulses

BRIH 40 - EcoMag

Terminal assignment

Cable

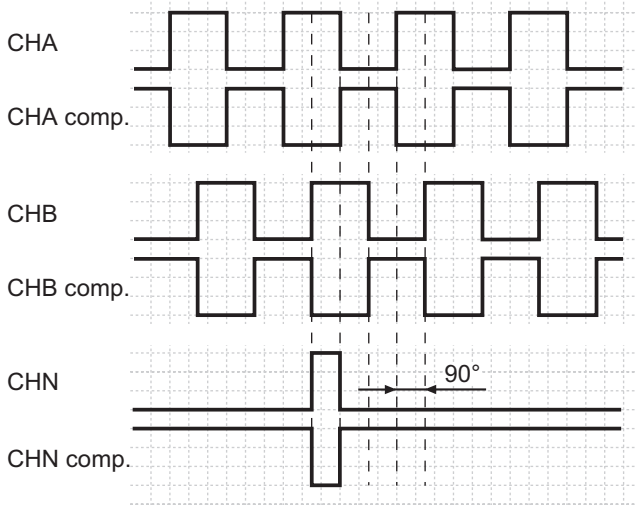
for connection reference -5

05A		17K	
Core colour	Signals	Core colour	Signals
brown	+Vs	brown	+Vs
green	CHA	green	CHA
red	CHA compl.	–	–
yellow	CHB	yellow	CHB
blue	CHB compl.	–	–
pink	CHN	pink	CHN
grey	CHN compl.	–	–
white	0 V	white	0 V
Cable data	8 x 0.14 mm ²	5 x 0.14 mm ²	
Screen	connected to flange		

Output signals

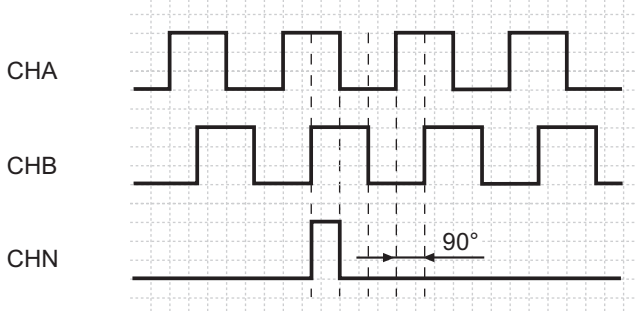
Counter clockwise rotating direction when looking at the flange.

05A



Counter clockwise rotating direction when looking at the flange.

17K



Connector M9 male

for connection reference -9

05A		
Connector	Core colour*	Signals
Pin 1	white	0 V
Pin 2	brown	+Vs
Pin 3	green	CHA
Pin 4	yellow	CHB
Pin 5	grey	CHN compl.
Pin 6	pink	CHN
Pin 7	blue	CHB compl.
Pin 8	red	CHA compl.

17K

Connector	Core colour*	Signals
Pin 1	white	0 V
Pin 2	brown	+Vs
Pin 3	brack	CHA
Pin 4	blue	CHB
Pin 5	grey	CHN

*these core colours are valid for the assembled mating connectors (see accessories)



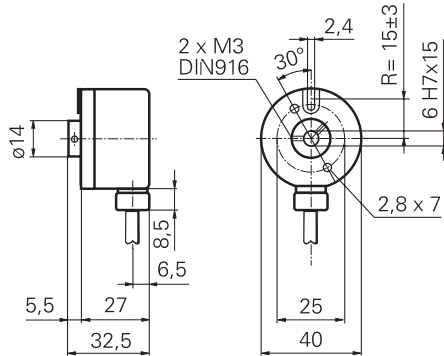
Incremental encoders

Mini series end shaft max. $\varnothing 12$ mm
Resolution 2...1024 pulses

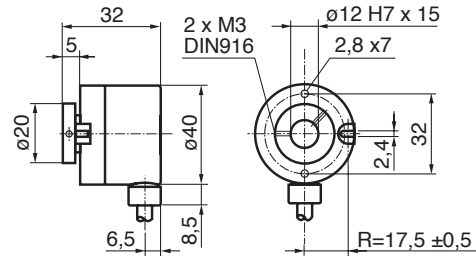
BRIH 40 - EcoMag

Dimensions

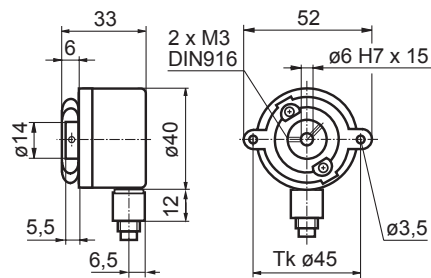
BRIH 40 end shaft $\varnothing 6$ mm, cable radial



BRIH 40 end shaft $\varnothing 12$ mm, cable radial



BRIH 40 end shaft $\varnothing 6$ mm, connector



BRIH 40 end shaft $\varnothing 12$ mm, connector

