

Preliminary



SF2210D

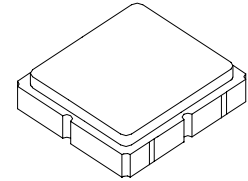
**427.8 MHz
SAW Filter**

- Low Insertion Loss
- 3.8 X 3.8 mm Surface-Mount Case
- Single-ended Input and Differential Output
- Complies with Directive 2002/95/EC (RoHS)



Absolute Maximum Ratings

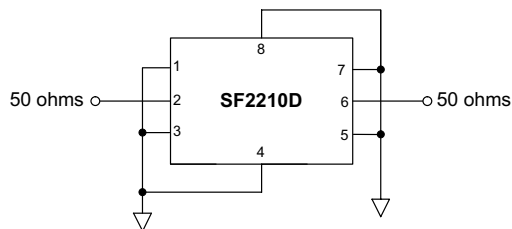
Rating	Value	Units
Maximum Incident Power in Passband	+10	dBm
Maximum DC Voltage Between any Two Terminals	3	VDC
Storage Temperature Range in Tape and Reel	-30 to +85	°C
Suitable for Lead-free Soldering - Maximum Soldering Temperature	260°C for 30 s	



SM3838-8

Electrical Characteristics

Characteristic	Sym	Notes	Min	Typ	Max	Units
Nominal Center Frequency	f_c	1		427.8		MHz
Insertion Loss, 425.3 to 430.3 MHz	IL	1		2.0	3.6	dB
Passband Ripple, 425.3 to 430.3 MHz		1		0.5	2.1	dB _{p-p}
VSWR, 425.3 to 430.3 MHz				1.3:1	2.2:1	
Attenuation Referenced to 0 dB						
1.0 to 391.0 MHz		2	40	68		dB
391.0 to 406.5 MHz		2	31	66		
406.5 to 417.9 MHz		2	10	48		
461.0 to 481.0 MHz		2	35	65		
481.0 to 555.0 MHz		2	40	64		
Single-ended Source Impedance				50		ohm
Single-ended Load Impedance				50		ohm
Operating Temperature Range			+15		+35	°C
Case Style			SM3838-8 3.8 x 3.8 mm Nominal Footprint			
Lid Symbolization (Y=year, WW=week, S=shift)			RFM 944 YWWS			

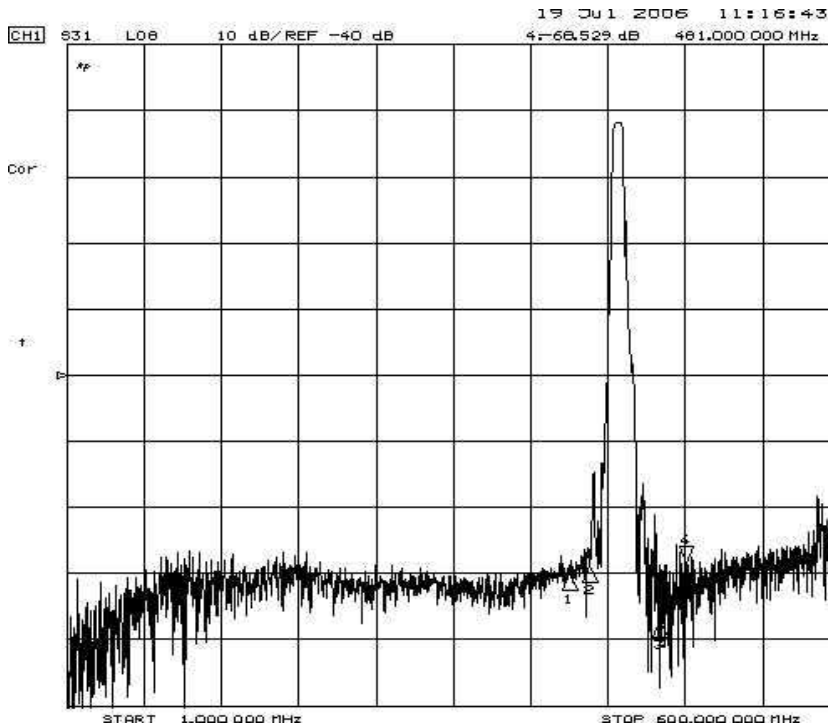
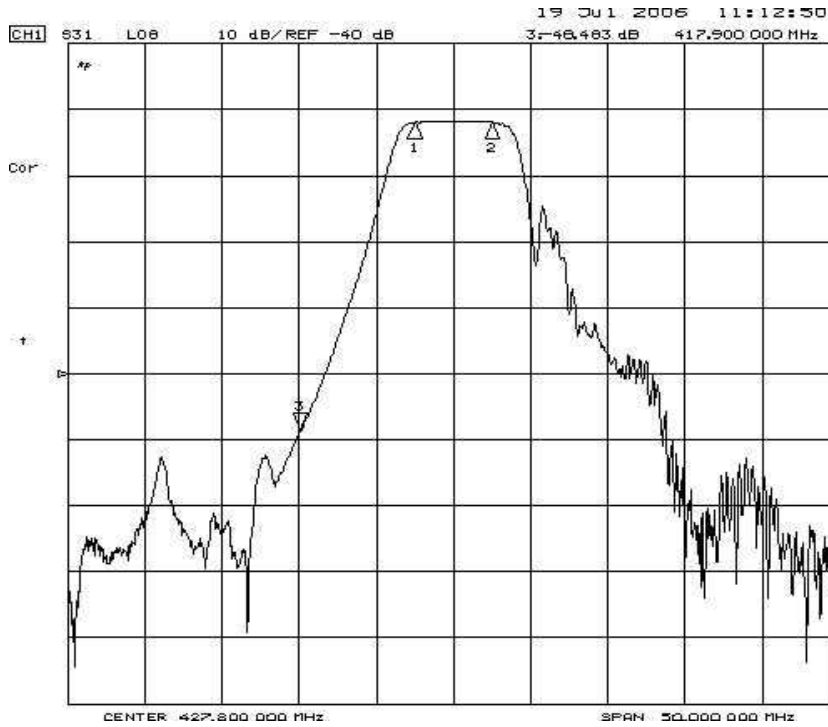


CAUTION: Electrostatic Sensitive Device. Observe precautions for handling.

Notes:

1. Unless noted otherwise, all specifications apply over the operating temperature range with filter soldered to the specified demonstration board with impedance matching to 50 Ω and measured with 50 Ω network analyzer.
2. Rejection is measured as attenuation referenced to 0 dB. Rejection in final user application is dependent on PCB layout and external impedance matching design. See Application Note No. 42 for details.
3. The design, manufacturing process, and specifications of this filter are subject to change.
4. Tape and Reel Standard ANSI / EIA 481.
5. Either Port 1 or Port 2 may be used for either input or output in the design. However, impedances and impedance matching may vary between Port 1 and Port 2, so that the filter must always be installed in one direction per the circuit design.
6. US and international patents may apply.
7. RFM, stylized RFM logo, and RF Monolithics, Inc. are registered trademarks of RF Monolithics, Inc.

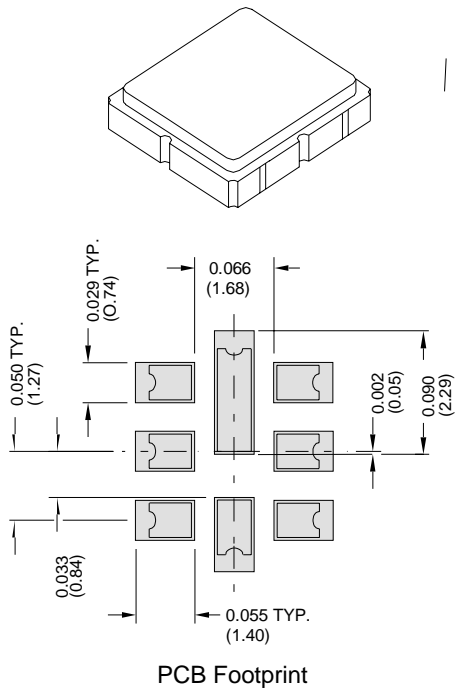
SF2210D Frequency Response



SM3838-8 Case

8-Terminal Ceramic Surface-Mount Case

3.8 X 3.8 mm Nominal Footprint



Case Dimensions						
Dimension	mm			Inches		
	Min	Nom	Max	Min	Nom	Max
A	3.6	3.8	4.0	0.142	0.150	0.157
B	3.6	3.8	4.0	0.142	0.150	0.157
C	1.05	1.20	1.35	0.041	0.047	0.053
D	0.95	1.10	1.25	0.037	0.043	0.049
E	0.90	1.00	1.10	0.035	0.040	0.043
F	0.50	0.60	0.70	0.020	0.024	0.028
G	2.39	2.54	2.69	0.090	0.100	0.110
H	1.40	1.75	2.05	0.055	0.069	0.080

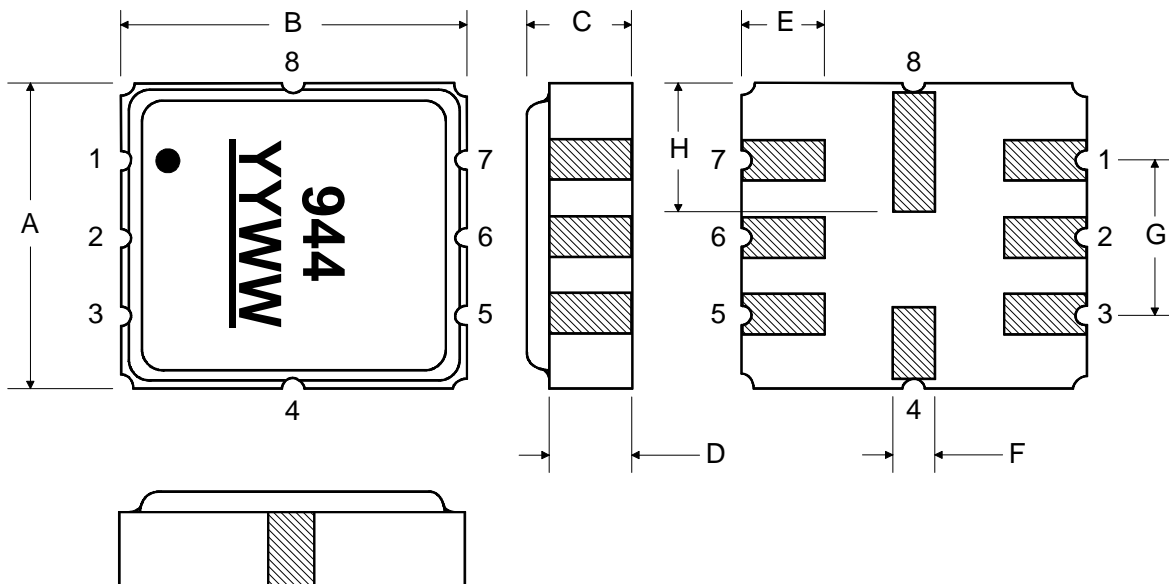
Electrical Connections		
	Connection	Terminals
Port 1	Input	2
Port 2	Output	6
	Ground	All Others

Dot Indicates Pin 1

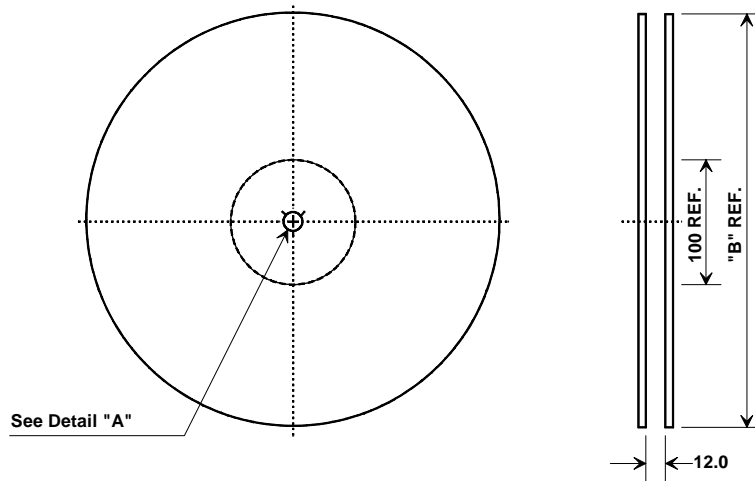
Materials	
Solder Pad Plating	0.3 to 1.0 μm Gold over 1.27 to 8.89 μm Nickel
Lid Plating	2.0 to 3.0 μm Nickel
Body	Al_2O_3 Ceramic
Pb Free	

TOP VIEW

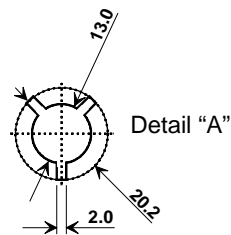
BOTTOM VIEW



Tape and Reel Specifications



"B" Nominal Size		Quantity Per Reel
Inches	Millimeters	
7	178	500 pcs
13	330	3,000 pcs



COMPONENT ORIENTATION

