

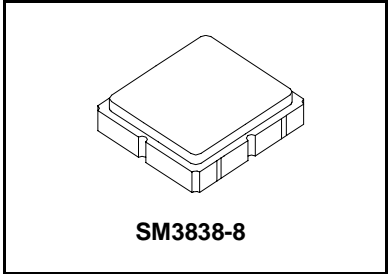


- Low Insertion Loss SAW Filter
- Balanced 200 ohm Input, Single-ended 50 ohm Output
- Complies with Directive 2002/95/EC (RoHS)



RF3702D

**426.44 MHz
SAW Filter**



Absolute Maximum Ratings

Rating	Value	Units
Input Power Level	+20	dBm
DC Voltage	±10	V
Operating Temperature Range	-20 to +70	°C
Storage Temperature Range in Tape and Reel	-30 to +85	°C

Electrical Characteristics

Characteristic	Sym	Notes	Min	Typ	Max	Units
Center Frequency	f_c			426.44		MHz
3 dB Bandwidth	BW_3		1.0			MHz
Maximum Insertion Loss, 426.22 to 426.66 MHz	IL_{MAX}			2.0	3.0	dB
Amplitude Ripple, 426.22 to 426.66 MHz				0.6	1.0	dB _{P-P}
Rejection Referenced to 0 dB:						
404.64 to 405.44 MHz, [426.44 -(21 to 21.8) MHz]			50	54		dB
405.44 to 421.44 MHz			30	36		
436.44 to 447.84 MHz			20	40		
470.0 to 770.0 MHz			50	59		
800.0 to 2010.0 MHz			40	65		
Balanced Source Impedance	Z_S			200		Ω
Load Impedance	Z_L			50		Ω

Case Style	SM3838-8 3.8 x 3.8 mm Nominal Footprint					
Lid Symbolization (Y=year, WW=week, S=shift) dot=pin 1 indicator	948, YWWS					
Standard Reel Quantity	Reel Size 7 Inch					500 Pieces/Reel
	Reel Size 13 Inch					3000 Pieces/Reel

Electrical Connections

Connection	Terminals
Balanced Input	1,2
Output	5
Case Ground	3, 4, 6, 7, 8

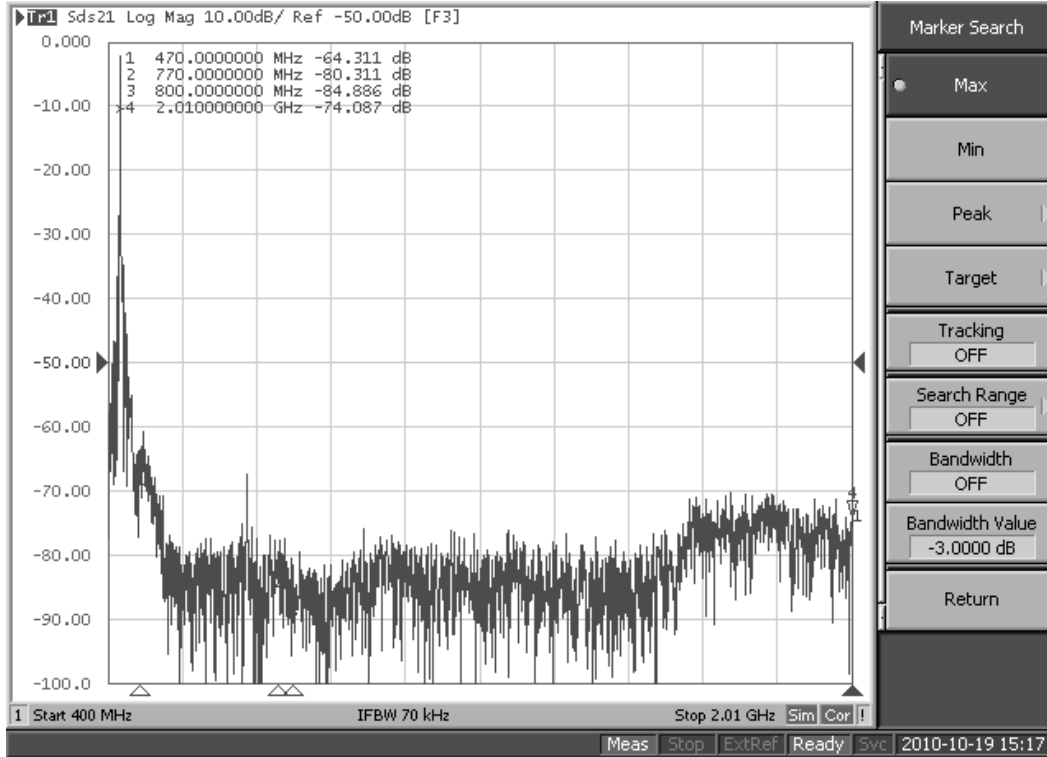


CAUTION: Electrostatic Sensitive Device. Observe precautions for handling.

Notes:

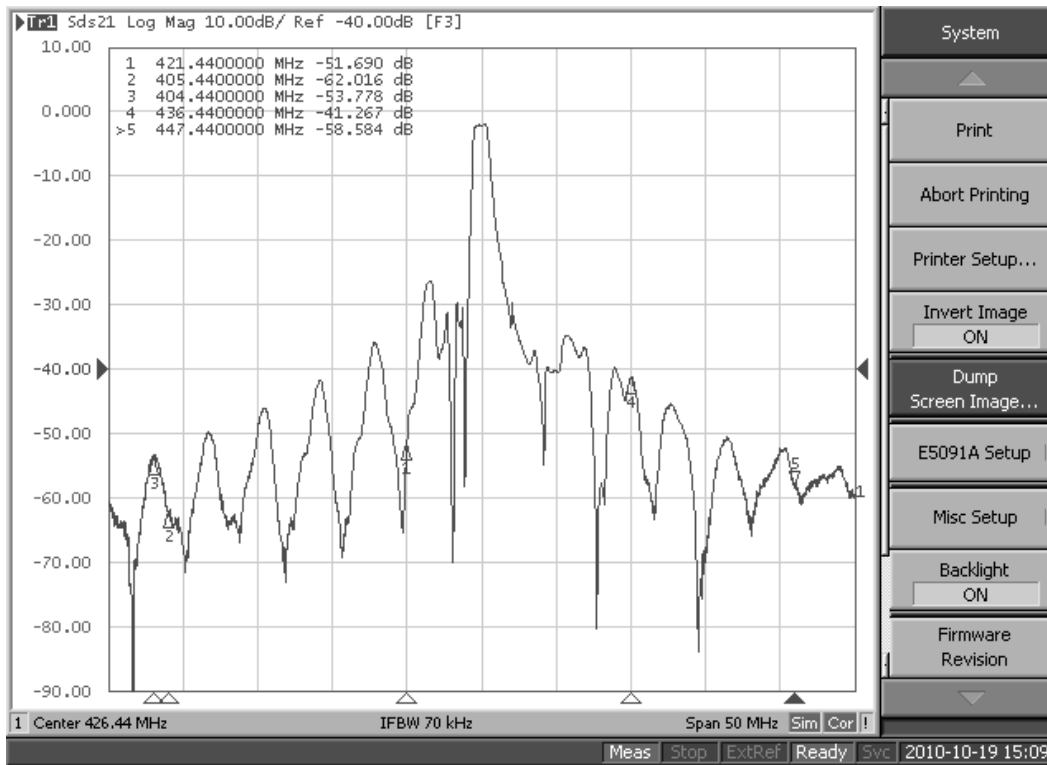
1. Unless noted otherwise, all specifications apply over the operating temperature range with filter soldered to the specified demonstration board with impedance matching to 50 Ω and measured with 50 Ω network analyzer.
2. Unless noted otherwise, all frequency specifications are referenced to the nominal center frequency, f_c .
3. Rejection is measured as attenuation below the minimum IL point in the passband. Rejection in final user application is dependent on PCB layout and external impedance matching design. See Application Note No. 42 for details.
4. The design, manufacturing process, and specifications of this filter are subject to change.
5. US and international patents may apply.
6. RFM, stylized RFM logo, and RF Monolithics, Inc. are registered trademarks of RF Monolithics, Inc.

Frequency Response Plots



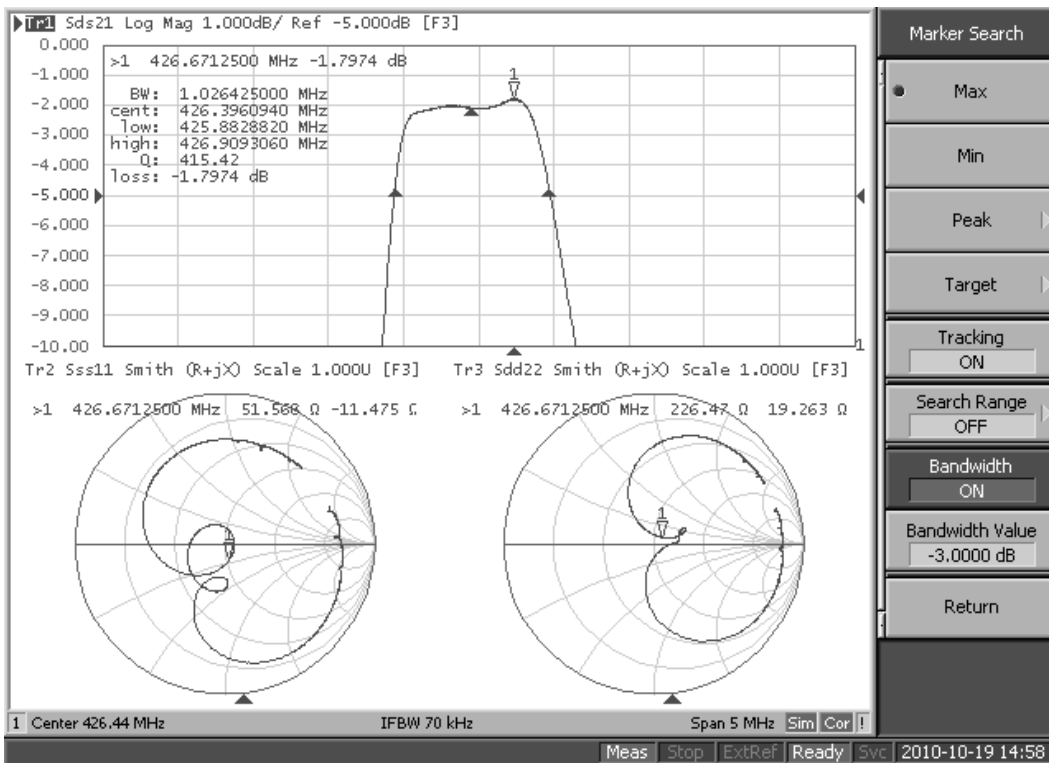
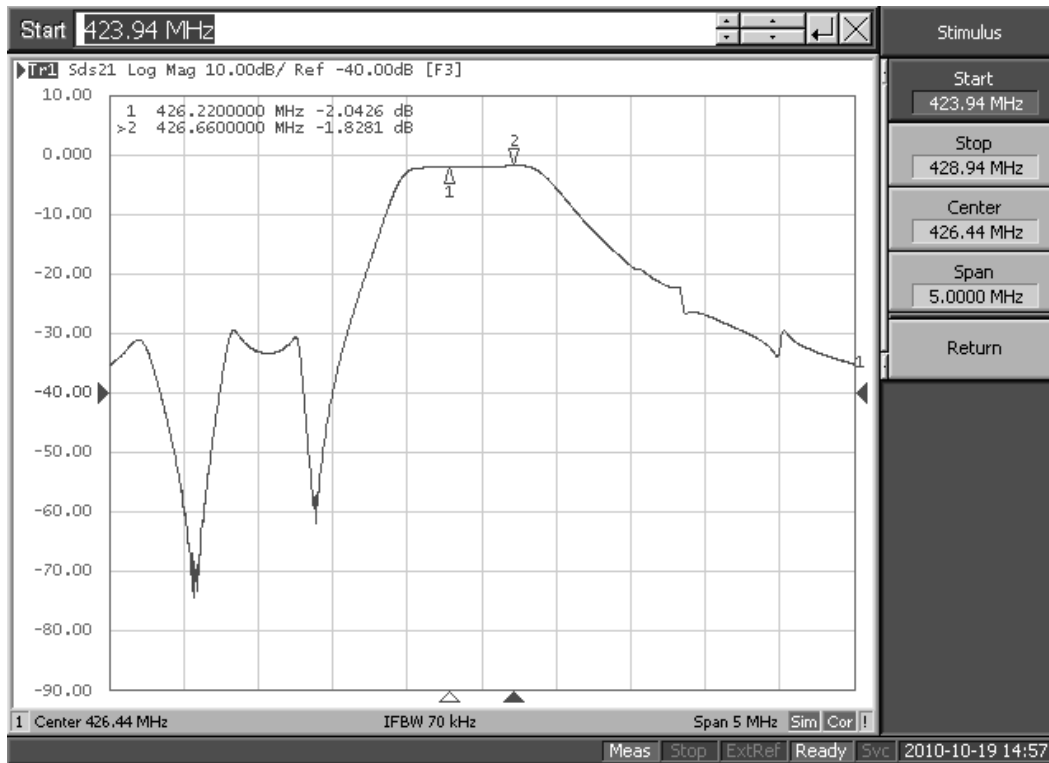
Marker Search

- Max
- Min
- Peak
- Target
- Tracking OFF
- Search Range OFF
- Bandwidth OFF
- Bandwidth Value -3.0000 dB
- Return

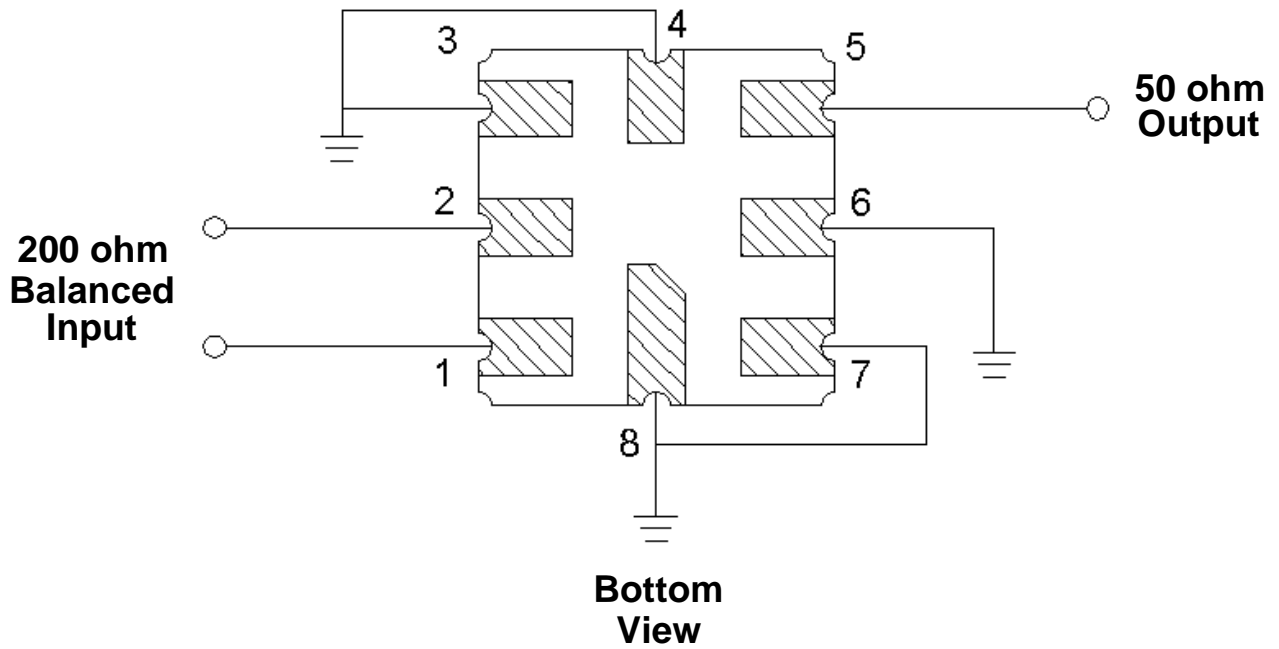


System

- Print
- Abort Printing
- Printer Setup...
- Invert Image ON
- Dump Screen Image...
- E5091A Setup
- Misc Setup
- Backlight ON
- Firmware Revision

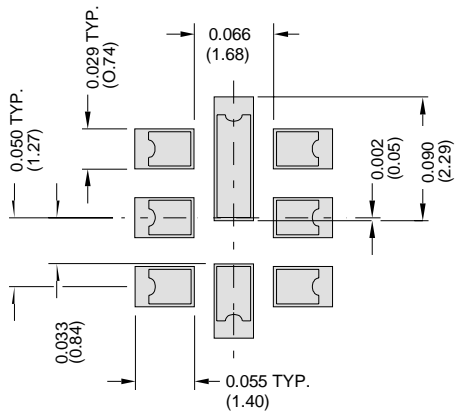


Application Circuit



SM3838-8 Case

8-Terminal Ceramic Surface-Mount Case 3.8 X 3.8 mm Nominal Footprint



PCB Footprint

Dimension	mm			Inches		
	Min	Nom	Max	Min	Nom	Max
A	3.6	3.8	4.0	0.142	0.150	0.157
B	3.6	3.8	4.0	0.142	0.150	0.157
C	0.90	1.00	1.1	0.035	0.040	0.043
D	0.80	0.90	1.0	0.031	0.035	0.040
E	0.90	1.00	1.10	0.035	0.040	0.043
F	0.50	0.60	0.70	0.020	0.024	0.028
G	2.39	2.54	2.69	0.090	0.100	0.110
H	1.40	1.75	2.05	0.055	0.069	0.080

Materials	
Solder Pad Plating	0.3 to 1.0 μm Gold over 1.27 to 8.89 μm Nickel
Lid Plating	2.0 to 3.0 μm Nickel
Body	Al_2O_3 Ceramic
Pb Free	

TOP VIEW

BOTTOM VIEW

