

**PRELIMINARY DATA SHEET**

# SKY65171-11: 1930 – 1990 MHz, 0.5 W High Power Power Amplifier

## Applications

- CDMA2000 cellular band
- PCS1900 band
- WCDMA, Bands II and V
- Femtocell transmitters

## Features

- Wideband frequency operation: 1930 to 1990 MHz
- High gain: > 27 dB
- OP1dB: > +27 dBm
- ACPR ≤ -48 dB for P<sub>OUT</sub> > +18 dBm
- Single DC supply: 5 V
- Internal RF match and bias circuits
- Small footprint, MCM (20-pin, 6 x 6 mm) SMT package (MSL3, 260 °C per JEDEC J-STD-020)

**NEW**

Skyworks offers lead (Pb)-free RoHS (Restriction of Hazardous Substances) compliant packaging.



## Description

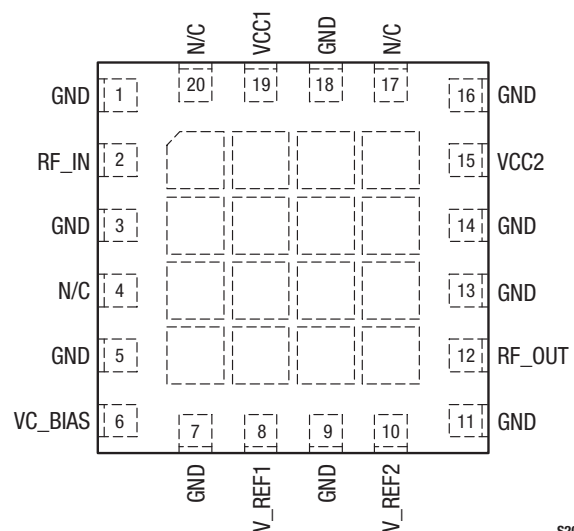
Skyworks SKY65171-11 is a fully-matched, 0.5 W Power Amplifier (PA) with high efficiency, designed for use in the 1930 to 1990 MHz band.

The device is fabricated using Skyworks high reliability Indium Gallium Phosphide (InGaP) Heterojunction Bipolar Transistor (HBT) technology. This process allows for single supply operation while maintaining high efficiency and good linearity.

The SKY65171-11 contains all of the active bias and RF matching circuits, which make it easy to integrate into 50 Ω RF systems. The internal input and output match are optimized for gain, 1 dB Compression Point (P1dB), Adjacent Channel Power Ratio (ACPR), and efficiency when integrated in a 50 Ω system.

The primary bias to the SKY65171-11 can be supplied directly from a single 5 VDC supply. The PA is designed to operate with lower current by reducing the bias voltage.

The device is internally matched and mounted in a 20-pin, 6 x 6 mm Multi-Chip Module (MCM) Surface-Mounted Technology (SMT) package, which allows for a highly manufacturable low cost solution. The device package and pinout for the 20-pin MCM are shown in Figure 1. A block diagram of the SKY65171-11 is shown in Figure 2.



S2040

**Figure 1. SKY65171-11 Pinout – 20-Pin MCM (Top View)**

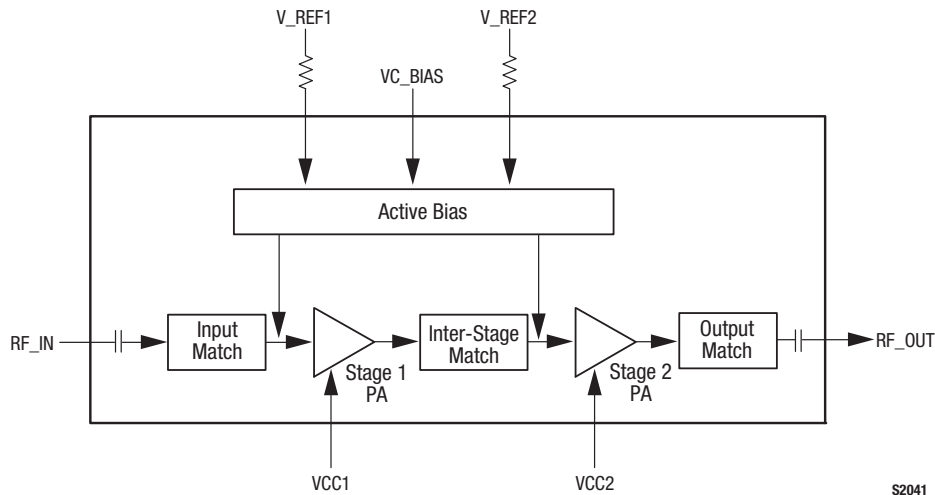


Figure 2. SKY65171-11 Block Diagram

**Technical Description**

The SKY65171-11 PA contains all of the needed RF matching and DC biasing circuits. The device is a two-stage, HBT InGaP device optimized for high linearity and power efficiency. These features make the device suitable for wideband digital applications, where PA linearity and power consumption are of critical importance (e.g., femtocell and infrastructure applications).

The device has been characterized with a standard CDMA2000 modulated signal. Under these stringent test conditions, the device exhibits excellent spectral purity and power efficiency.

**Electrical and Mechanical Specifications**

Signal pin assignments and functional pin descriptions are described in Table 1. The absolute maximum ratings of the SKY65171-11 are provided in Table 2. Electrical specifications are provided in Table 3.

Table 1. SKY65171-11 Signal Descriptions

Pin #	Name	Description	Pin #	Name	Description
1	GND	Ground	11	GND	Ground
2	RF_IN	RF input	12	RF_OUT	RF output
3	GND	Ground	13	GND	Ground
4	N/C	No connection	14	GND	Ground
5	GND	Ground	15	VCC2	Stage 2 collector voltage, 5 V
6	VC_BIAS	Bias voltage, 5 V	16	GND	Ground
7	GND	Ground	17	N/C	No connection
8	V_REF1	Bias reference 1 voltage, 5 V	18	GND	Ground
9	GND	Ground	19	VCC1	Stage 1 collector voltage, 5 V
10	V_REF2	Bias reference 2 voltage, 5 V	20	N/C	No connection

**Table 2. SKY65171-11 Absolute Maximum Ratings (Note 1)**

Parameter	Symbol	Minimum	Maximum	Units
RF output power	P <sub>OUT</sub>		+30	dBm
Supply voltage	VCC1, VCC2, V_REF1, V_REF2, VC_BIAS		5.5	V
Total supply current	I <sub>CC</sub>		700	mA
Storage temperature	T <sub>ST</sub>	-55	+125	°C
Junction temperature	T <sub>J</sub>		+150	°C
Thermal resistance	Θ <sub>JC</sub>		30	°C/W

**Note 1:** Exposure to maximum rating conditions for extended periods may reduce device reliability. There is no damage to device with only one parameter set at the limit and all other parameters set at or below their nominal value. Exceeding any of the limits listed here may result in permanent damage to the device.

**CAUTION:** Although this device is designed to be as robust as possible, Electrostatic Discharge (ESD) can damage this device. This device must be protected at all times from ESD. Static charges may easily produce potentials of several kilovolts on the human body or equipment, which can discharge without detection. Industry-standard ESD precautions should be used at all times.

**Table 3. SKY65171-11 Recommended Operating Conditions**

Parameter	Symbol	Minimum	Typical	Maximum	Units
Frequency range	f	1930		1990	MHz
Supply voltage	VCC1, VCC2	4.75	5.00	5.25	V
Bias voltage	V_REF1, V_REF2, VC_BIAS	4.75	5.00	5.25	V
Case operating temperature	T <sub>c</sub>	-40	+25	+85	°C

**Table 4. SKY65171-11 Electrical Specifications (Note 1)**

(VCC1 = VCC2 = V\_REF1 = V\_REF2 = VC\_BIAS = 5 V, T<sub>c</sub> = +25 °C, f = 1960 MHz, Unless Otherwise Noted)

Parameter	Symbol	Test Condition	Min	Typical	Max	Units
Output power @ 1 dB compression	OP1dB	CW	+27	+28		dBm
Small signal gain	IS21I	CW, P <sub>IN</sub> = -15 dBm		27		dB
Adjacent Channel Power Ratio	ACPR	@750 kHz, P <sub>OUT</sub> = +18 dBm		-51	-48	dBc
		@1.98 MHz, P <sub>OUT</sub> = +18 dBm		-66	-63	dBc
3 <sup>rd</sup> Order Output Intercept Point	OIP3	P <sub>TONE</sub> = +15 dBm, frequency spacing = 1 MHz		+36		dBm
Quiescent Current	I <sub>Q</sub>	No RF input		200		mA
Operating current	I <sub>CC</sub>	P <sub>OUT</sub> = +18 dBm		300		mA
Noise Figure	NF			6.5		dB
Input return loss	IS11I	P <sub>IN</sub> = -15 dBm	10	14		dB
Output return loss	IS22I	P <sub>IN</sub> = -15 dBm	9	12		dB
Voltage Standing Wave Ratio for stable operation	VSWR	CW			8:1	-

**Note 1:** Performance is guaranteed only under the conditions listed in this Table.

### Evaluation Board Description

The SKY65171-11 Evaluation Board is used to test the performance of the SKY65171-11 High Power PA. A schematic diagram of the SKY65171-11 Evaluation Board is shown in Figure 3. An assembly drawing for the Evaluation Board is shown in Figure 4 and the layer detail is provided in Figure 5. The layer detail physical characteristics are noted in Figure 6.

### Package Dimensions

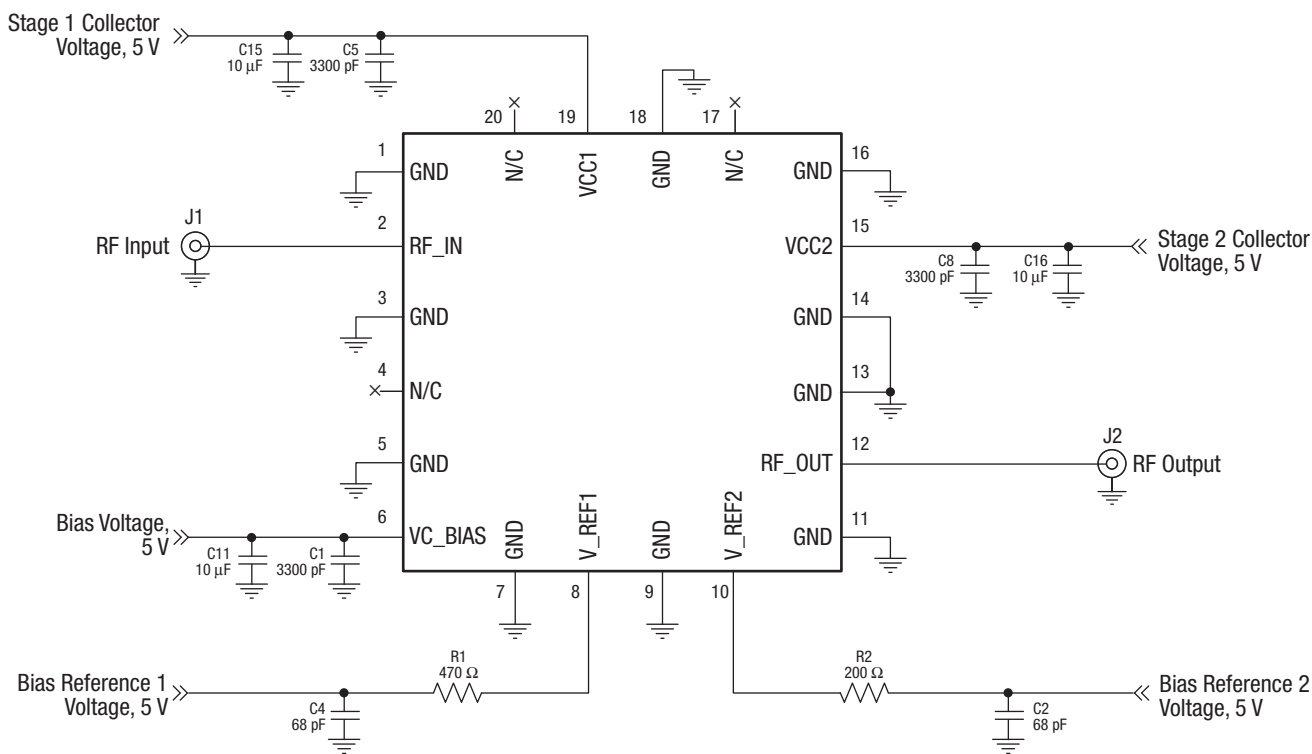
The PCB layout footprint for the SKY65171-11 is provided in Figure 6. Package dimensions for the 20-pin MCM are shown in Figure 7, and tape and reel dimensions are provided in Figure 8.

### Package and Handling Information

Since the device package is sensitive to moisture absorption, it is baked and vacuum packed before shipping. Instructions on the shipping container label regarding exposure to moisture after the container seal is broken must be followed. Otherwise, problems related to moisture absorption may occur when the part is subjected to high temperature during solder assembly.

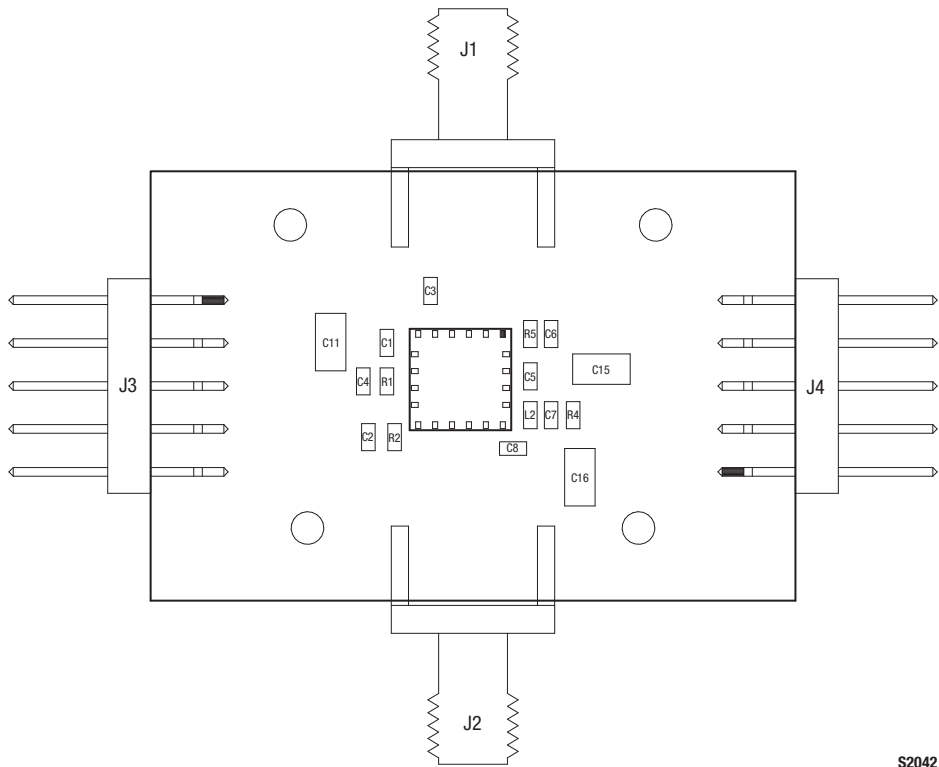
The SKY65171-11 is rated to Moisture Sensitivity Level 3 (MSL3) at 260 °C. It can be used for lead or lead-free soldering. For additional information, refer to Skyworks Application Note, *PCB Design and SMT Assembly/Rework Guidelines for MCM-L Packages*, document number 101752.

Care must be taken when attaching this product, whether it is done manually or in a production solder reflow environment. Production quantities of this product are shipped in a standard tape and reel format.



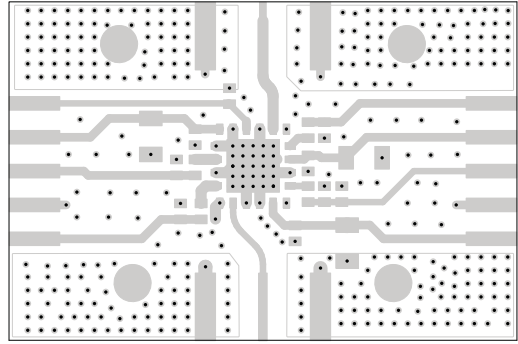
S2044a

Figure 3. SKY65171-11 Evaluation Board Schematic

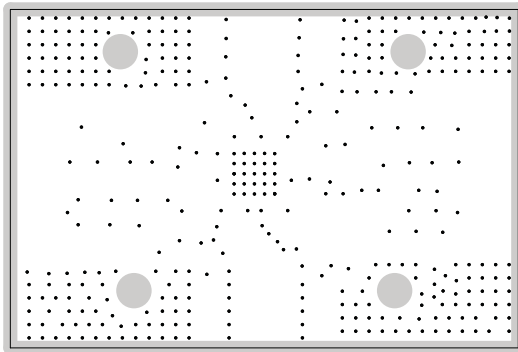


S2042

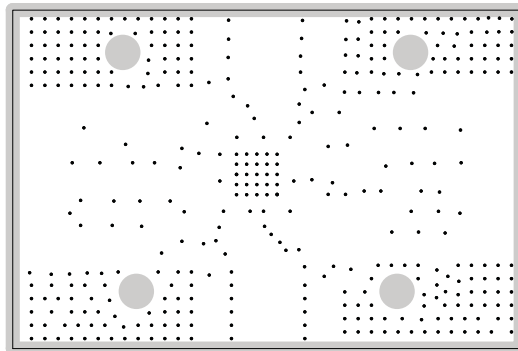
Figure 4. SKY65171-11 Evaluation Board Assembly Drawing



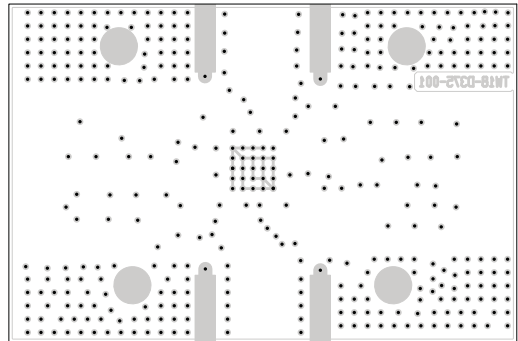
Layer 1: Top – Metal



Layer 2: Ground



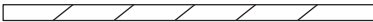






Layer 3: Ground Plane



Layer 4: Solid Ground Plane

S2047

Figure 5. SKY65171-11 Evaluation Board Layer Detail

Cross Section	Name	Thickness (mm)	Material	$\epsilon_r$
	Pri	0.036	Cu, 1 oz.	-
	Die1	0.250	Rogers 4350	3.38
	L2	0.036	Cu, 1 oz.	-
	Die2	0.175	FR4-4	4.35
	L3	0.036	Cu, 1 oz.	-
	Die3	0.250	FR4-12	4.35
	Sec	0.036	Cu, 1 oz.	-

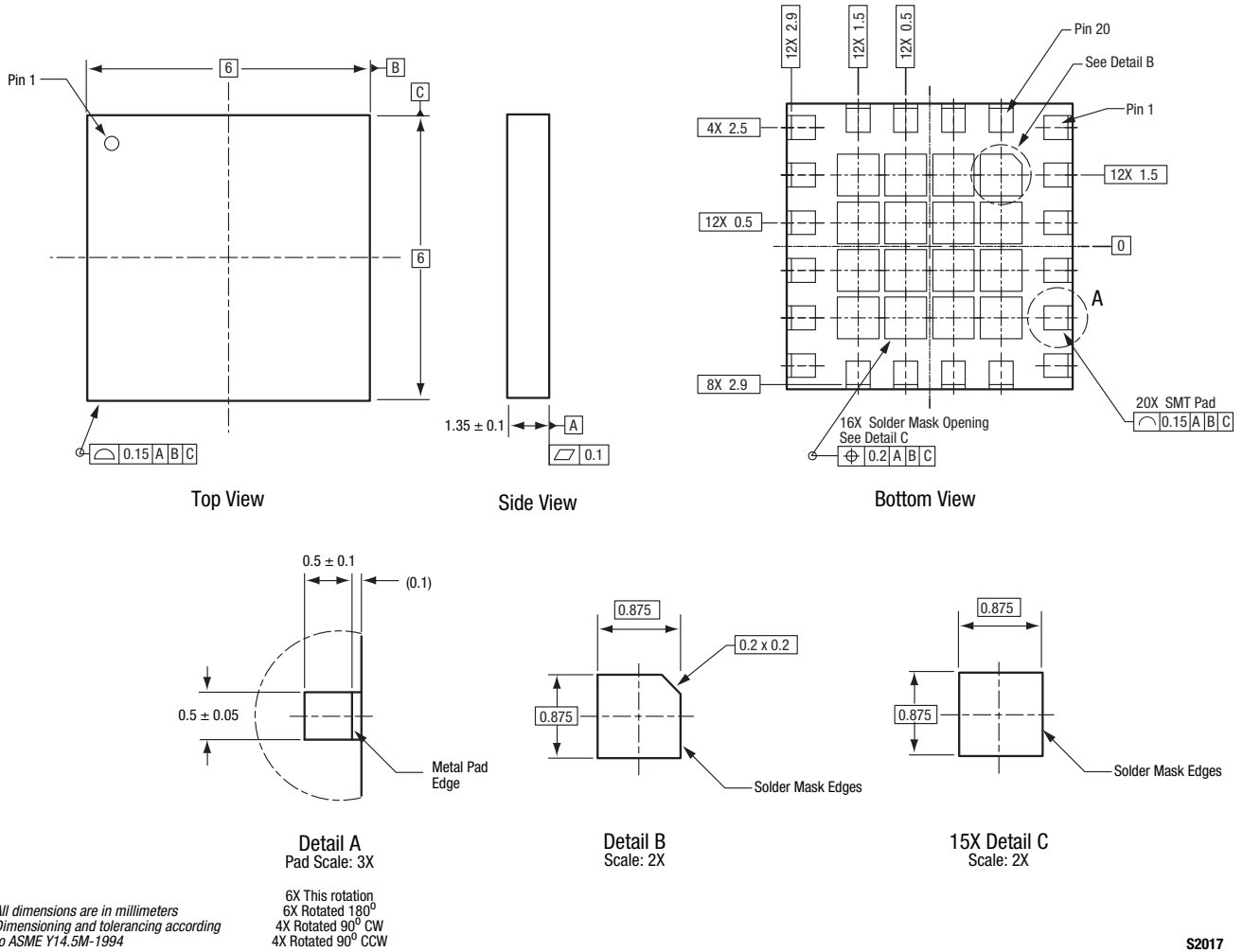
S2043

Figure 6. Layer Detail Physical Characteristics

\*\*\* TBD \*\*\*

Figure 7. SKY65171-11 PCB Layout Footprint

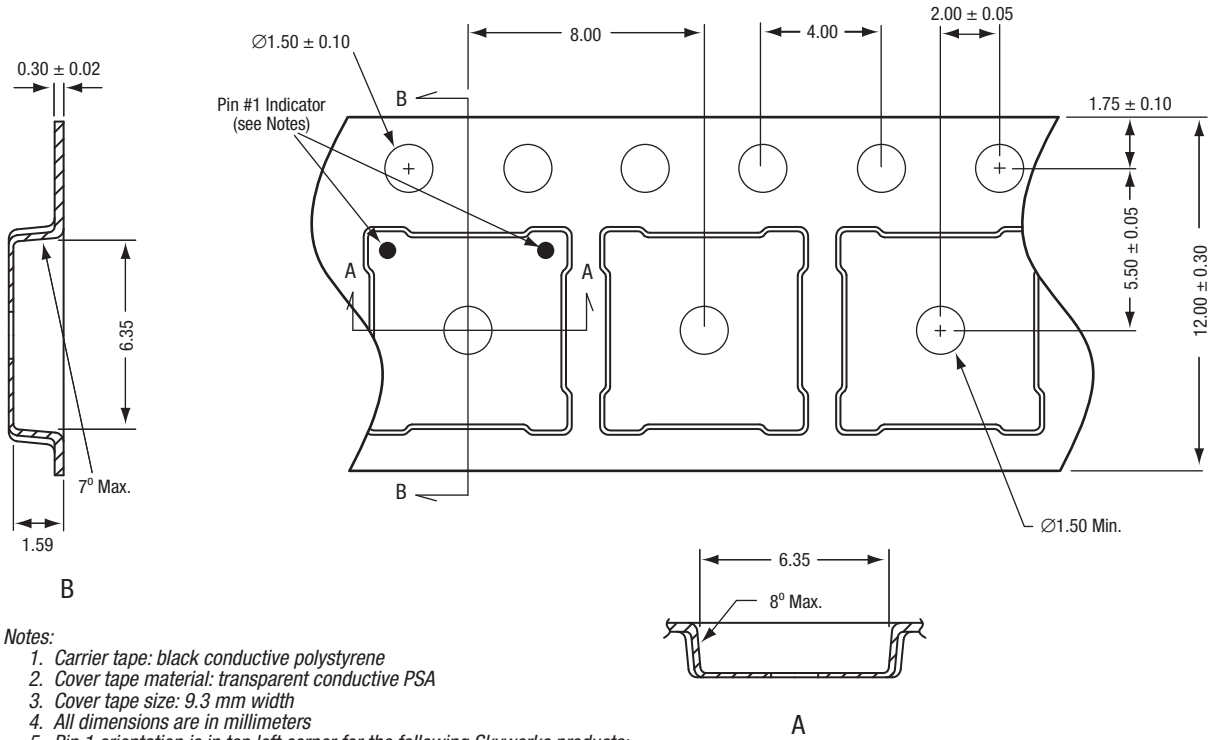
PRELIMINARY DATA SHEET • SKY65171-11 0.5 W, HIGH POWER PA



S2017

Figure 8. SKY65171-11 20-Pin MCM Package Dimensions





- Notes:
1. Carrier tape: black conductive polystyrene
  2. Cover tape material: transparent conductive PSA
  3. Cover tape size: 9.3 mm width
  4. All dimensions are in millimeters
  5. Pin 1 orientation is in top left corner for the following Skyworks products:

SKY73022-21, -31  
 SKY73023-21, -31

For all other 6 x 6 mm MCM/RFLGA products, pin 1 orientation is in top right corner.

S1183

Figure 9. SKY65171-11 20-Pin MCM Tape and Reel Dimensions

## Ordering Information

Model Name	Manufacturing Part Number	Evaluation Kit Part Number
SKY65171-11 0.5 W, High Power Power Amplifier	SKY65171-11	TW18-D370

Copyright © 2010 Skyworks Solutions, Inc. All Rights Reserved.

Information in this document is provided in connection with Skyworks Solutions, Inc. (“Skyworks”) products or services. These materials, including the information contained herein, are provided by Skyworks as a service to its customers and may be used for informational purposes only by the customer. Skyworks assumes no responsibility for errors or omissions in these materials or the information contained herein. Skyworks may change its documentation, products, services, specifications or product descriptions at any time, without notice. Skyworks makes no commitment to update the materials or information and shall have no responsibility whatsoever for conflicts, incompatibilities, or other difficulties arising from any future changes.

No license, whether express, implied, by estoppel or otherwise, is granted to any intellectual property rights by this document. Skyworks assumes no liability for any materials, products or information provided hereunder, including the sale, distribution, reproduction or use of Skyworks products, information or materials, except as may be provided in Skyworks Terms and Conditions of Sale.

THE MATERIALS, PRODUCTS AND INFORMATION ARE PROVIDED “AS IS” WITHOUT WARRANTY OF ANY KIND, WHETHER EXPRESS, IMPLIED, STATUTORY, OR OTHERWISE, INCLUDING FITNESS FOR A PARTICULAR PURPOSE OR USE, MERCHANTABILITY, PERFORMANCE, QUALITY OR NON-INFRINGEMENT OF ANY INTELLECTUAL PROPERTY RIGHT; ALL SUCH WARRANTIES ARE HEREBY EXPRESSLY DISCLAIMED. SKYWORKS DOES NOT WARRANT THE ACCURACY OR COMPLETENESS OF THE INFORMATION, TEXT, GRAPHICS OR OTHER ITEMS CONTAINED WITHIN THESE MATERIALS. SKYWORKS SHALL NOT BE LIABLE FOR ANY DAMAGES, INCLUDING BUT NOT LIMITED TO ANY SPECIAL, INDIRECT, INCIDENTAL, STATUTORY, OR CONSEQUENTIAL DAMAGES, INCLUDING WITHOUT LIMITATION, LOST REVENUES OR LOST PROFITS THAT MAY RESULT FROM THE USE OF THE MATERIALS OR INFORMATION, WHETHER OR NOT THE RECIPIENT OF MATERIALS HAS BEEN ADVISED OF THE POSSIBILITY OF SUCH DAMAGE.

Skyworks products are not intended for use in medical, lifesaving or life-sustaining applications, or other equipment in which the failure of the Skyworks products could lead to personal injury, death, physical or environmental damage. Skyworks customers using or selling Skyworks products for use in such applications do so at their own risk and agree to fully indemnify Skyworks for any damages resulting from such improper use or sale.

Customers are responsible for their products and applications using Skyworks products, which may deviate from published specifications as a result of design defects, errors, or operation of products outside of published parameters or design specifications. Customers should include design and operating safeguards to minimize these and other risks. Skyworks assumes no liability for applications assistance, customer product design, or damage to any equipment resulting from the use of Skyworks products outside of stated published specifications or parameters.

Skyworks, the Skyworks symbol, and “Breakthrough Simplicity” are trademarks or registered trademarks of Skyworks Solutions, Inc., in the United States and other countries. Third-party brands and names are for identification purposes only, and are the property of their respective owners. Additional information, including relevant terms and conditions, posted at [www.skyworksinc.com](http://www.skyworksinc.com), are incorporated by reference.