

# Plug Top Power Adaptors

**POWER  
SOLVE**

[www.powersolve.co.uk](http://www.powersolve.co.uk)

## PPT30 Series 30 Watt Switch Mode Universal AC Input

The PPT30 Series of AC-DC Power Adaptors offer user interchangeable AC input plugs to enable operation in many different countries simply by changing the clip on plug. Adaptors can be ordered with up to 4 interchangeable plugs to meet the power socket requirements of most countries.

### Features

- Universal Input: 90 - 264Vac
- Continuous Short Circuit Protection
- Over Voltage Protection
- Conductive EMI Meets CISPR/FCC Class B
- High Efficiency, 75% Typical
- Interchangeable AC plug
- Optional output connectors



### Specifications

#### INPUT

Voltage	90-264 VAC
Frequency	47-63 Hz
Input current	0.7A max
Inrush Current	50A max @ 264VAC
Isolation	Input to output = 4,242VDC
Leakage Current	0.25mA max

#### OUTPUT

Holdup Time	10mS typ. @ 115VAC
Short Circuit Protection	Continuous (Auto Recovery)
Over Voltage Protection	Yes

#### ENVIRONMENTAL

Operating temperature	0°C to 40°C
Storage temperature	-20°C to +85°C

#### GENERAL

Dimensions	107.8x57.6x33.5 mm
Weight	284 grams approx

Typical at 25°C, nominal line and 75% load, unless otherwise specified

**Powersolve Electronics Ltd. Units 8A, Arnhem Road, Newbury, RG14 5RU. England**

**Tel:01635 521858 Fax: 01635 523771 Email: [sales@powersolve.co.uk](mailto:sales@powersolve.co.uk)**

# Plug Top Power Adaptors



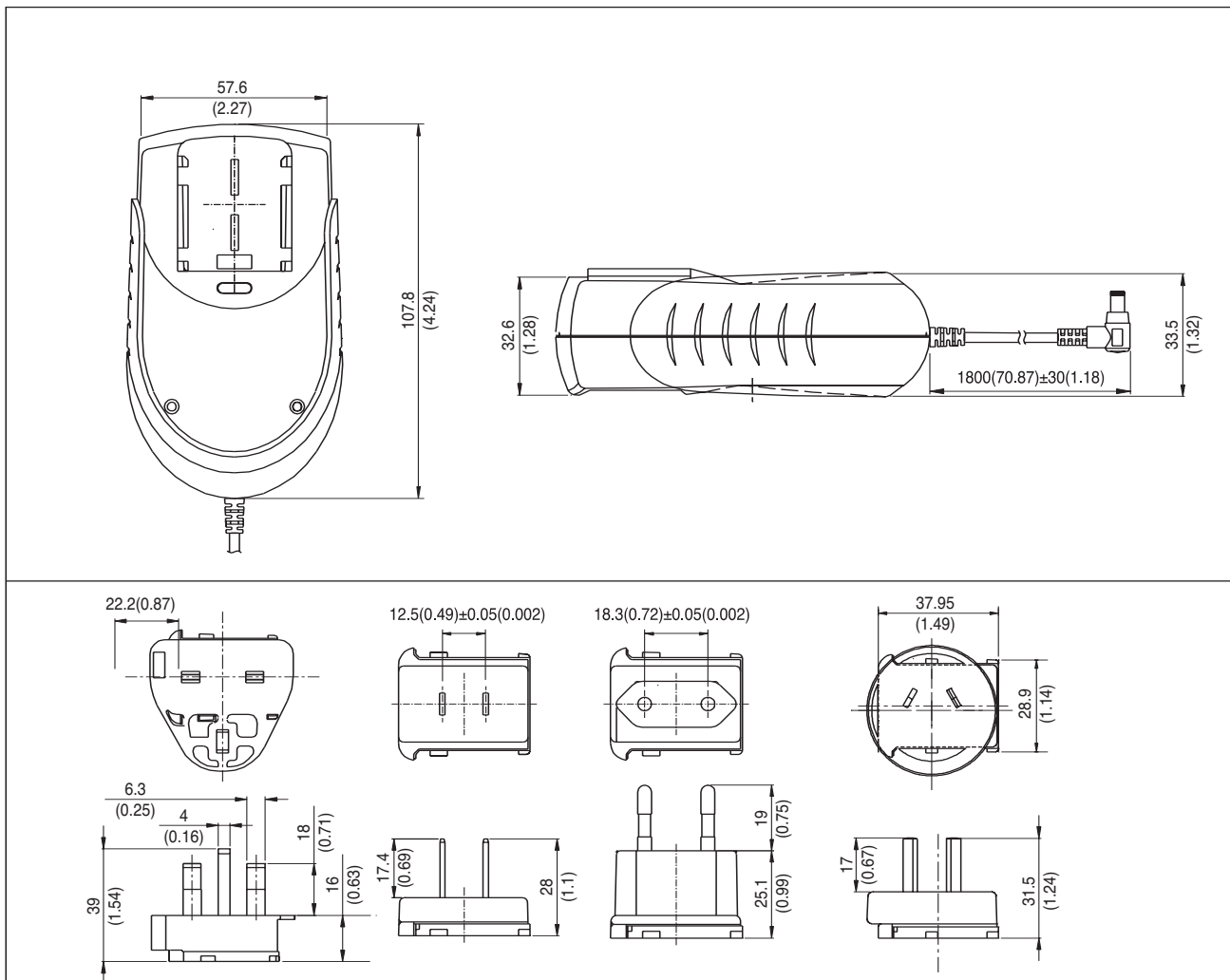
[www.powersolve.co.uk](http://www.powersolve.co.uk)

MODEL	OUTPUT VOLTAGE	MAX LOAD	MIN LOAD	RIPPLE & NOISE	VOLTAGE ACCURACY	LINE REGULATION	LOAD REGULATION
PPT30-050	5.0V	5.0A	0A	1%	±4%	±1%	±6%
PPT30-090	9.0V	3.3A	0A	1%	±2%	±1%	±3%
PPT30-120	12V	2.5A	0A	1%	±2%	±1%	±2%
PPT30-150	15V	2.0A	0A	1%	±2%	±1%	±2%
PPT30-180	18V	1.65A	0A	1%	±2%	±1%	±2%
PPT30-240	24V	1.25A	0A	1%	±2%	±1%	±2%

**Note:**

1. Voltage setpoint at 60% load.
2. Add a 0.1µF ceramic capacitor and a 10µF E.L. capacitor to output for Ripple & Noise measurement @20MHz BW.
3. Line regulation measured from 100Vac to 240Vac, full load.
4. Load regulation measured from 60% to full load and from 60% to 20% load (60% +/- 40% load)

**UNIT: mm (Inches)**



Stock items will be fitted with 5.5x2.5x9.5mm barrel connector, centre positive.

**Options:** Alternative output connectors are available - consult sales office for details.

In-line ferrite core on output cable - consult sales office for details.

**Powersolve Electronics Ltd. Units 8A, Arnhem Road, Newbury, RG14 5RU. England**

**Tel:01635 521858 Fax: 01635 523771 Email: [sales@powersolve.co.uk](mailto:sales@powersolve.co.uk)**