

Plug Top Power Adaptors

**POWER
SOLVE**

www.powersolve.co.uk

PPT10 Series 10 Watt Switch Mode Universal AC Input

The PPT10 Series of AC-DC Power Adaptors offer user interchangeable AC input plugs to enable operation in many different countries simply by changing the clip on plug. Adaptors can be ordered with up to 4 different interchangeable plugs to meet the power socket requirements of most countries.

Features

- Universal Input: 90 - 264Vac
- Continuous Short Circuit Protection
- Conductive EMI Meets CISPR/FCC Class B
- High Efficiency, 75% Typical
- Interchangeable AC plug
- Optional output connector



Specifications

INPUT

Voltage	90-264 VAC
Frequency	47-63 Hz
Input current	0.4A max
Inrush current	30A max. @ 264VAC
Isolation	Input to output = 4,242VDC
Leakage Current	0.25mA max

OUTPUT

Holdup Time	10mS typ. @ 115VAC
Short Circuit Protection	Continuous (Auto Recovery)
Overcurrent protection	Constant Current type

ENVIRONMENTAL

Operating temperature	0°C to 40°C
Storage temperature	-20°C to +85°C

GENERAL

Dimensions	72x46x35 mm
Weight	132 grams approx

Typical at 25°C, nominal line and 75% load, unless otherwise specified

Plug Top Power Adaptors



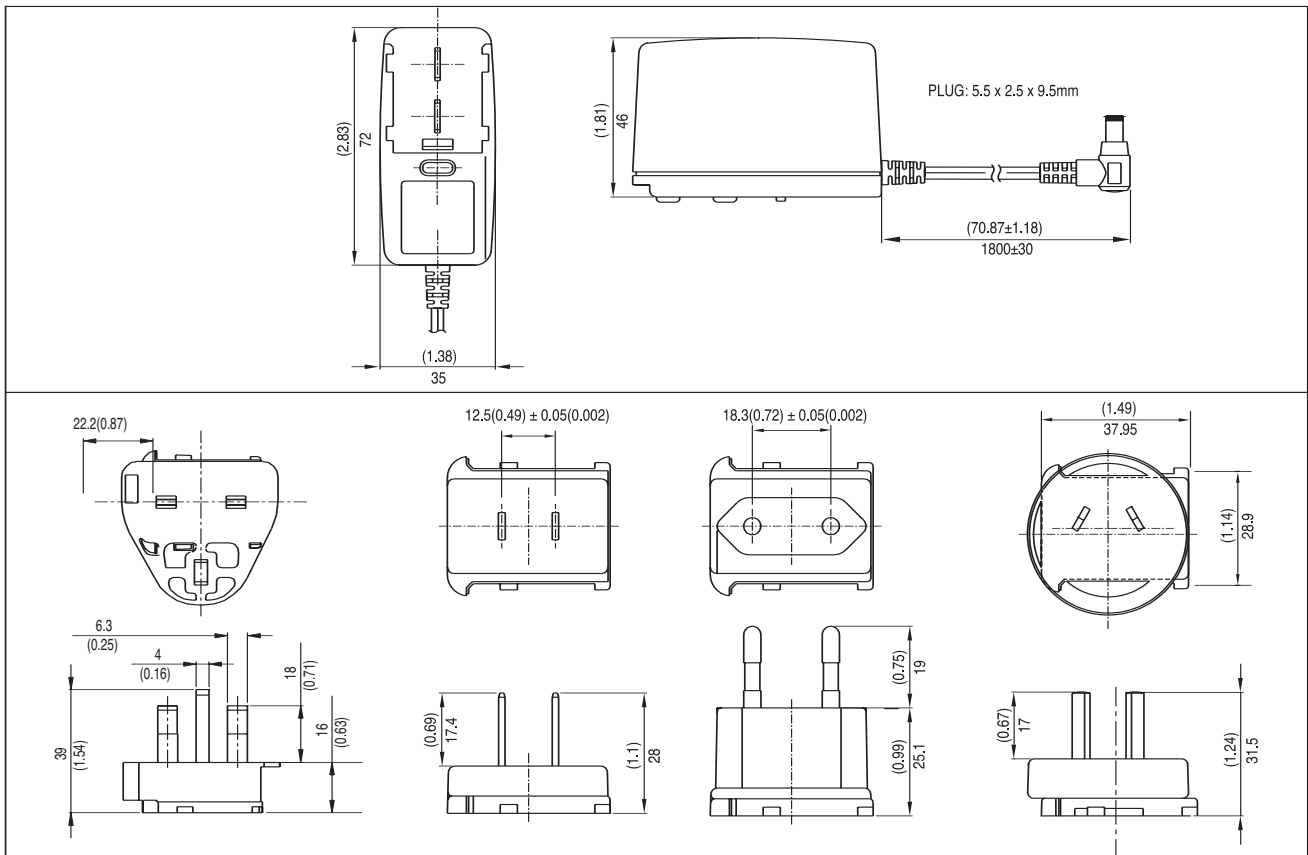
www.powersolve.co.uk

MODEL	OUTPUT VOLTAGE	MAX LOAD	MIN LOAD	RIPPLE & NOISE	VOLTAGE ACCURACY	LINE REGULATION	LOAD REGULATION
PPT10-033	3.3V	1600mA	0A	50mV	±3%	±1%	±4%
PPT10-050	5V	1600mA	0A	50mV	±2%	±1%	±4%
PPT10-060	6V	1500mA	0A	1%	±2%	±1%	±3%
PPT10-075	7.5V	1200mA	0A	1%	±2%	±1%	±3%
PPT10-090	9V	1100mA	0A	1%	±2%	±1%	±2%
PPT10-120	12V	850mA	0A	1%	±2%	±1%	±2%
PPT10-136	13.6V	750mA	0A	1%	±2%	±1%	±2%
PPT10-150	15V	700mA	0A	1%	±2%	±1%	±2%
PPT10-180	18V	550mA	0A	1%	±2%	±1%	±2%
PPT10-240	24V	400mA	0A	1%	±2%	±1%	±2%

Note:

1. Voltage setpoint at 60% load.
2. Add a 0.1mF ceramic capacitor and a 10mF E.L. capacitor to output for Ripple & Noise measurement @20MHz BW.
3. Line regulation measured from 100Vac to 240Vac, full load.
4. Load regulation measured from 60% to full load and from 60% to 20% load (60% ± 40% load)

UNIT: mm (Inches)



Stock items will be fitted with 5.5x2.5x9.5mm barrel connector, centre positive.

Options: Alternative output connectors are available - consult sales office for details.

In-line ferrite core on output cable - consult sales office for details.