

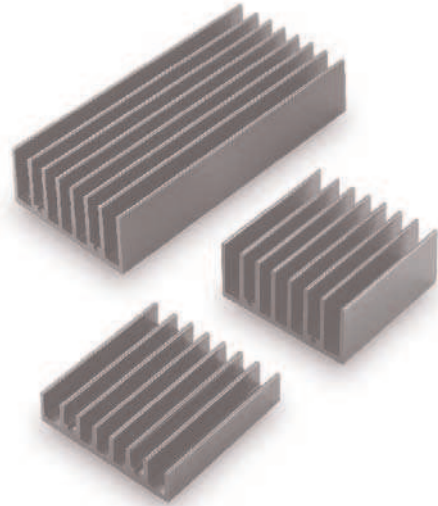
High Density DC-DC Modules



www.powersolve.co.uk

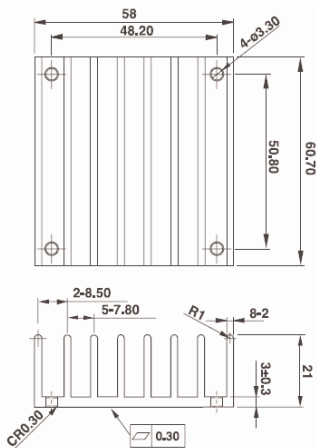
Heat Sinks

- For the following DC-DC Converter modules
 - PS50, PS50W
 - PS75, PS75W, PSQ75, PSQ75W, PS75-Dual
 - PS100, PS100W, PSQ100W
 - PS150, PS150W
 - PS200, PS200W
- Thermal pad, screws & washers included



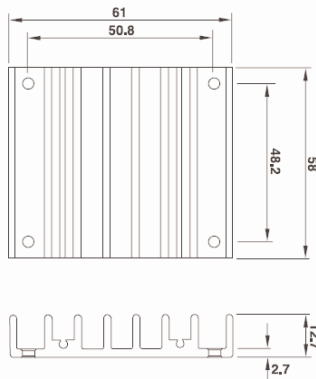
Half Brick Case Heatsink

Vertical Fins
Model No.: M-C308



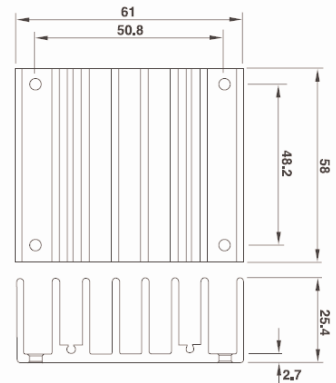
Rca: 3.9°C/W, At natural convection
 1.74°C/W, At 100LFM
 1.33°C/W, At 200LFM
 1.12°C/W, At 300LFM
 0.97°C/W, At 400LFM

Horizontal Fins (Short)
Model No.: M-C091



Rca: 4.7°C/W, At natural convection
 2.89°C/W, At 100LFM
 2.30°C/W, At 200LFM
 1.88°C/W, At 300LFM
 1.59°C/W, At 400LFM

Horizontal Fins (Long)
Model No.: M-C092



Rca: 3°C/W, At natural convection
 1.44°C/W, At 100LFM
 1.17°C/W, At 200LFM
 1.04°C/W, At 300LFM
 0.95°C/W, At 400LFM

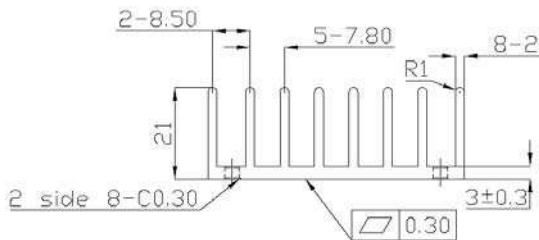
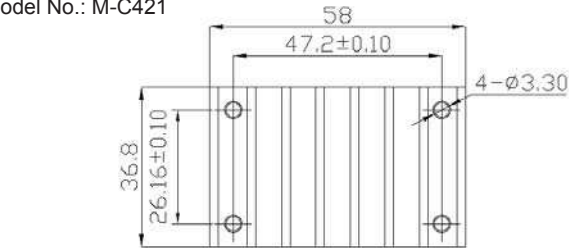
High Density DC-DC Modules



www.powersolve.co.uk

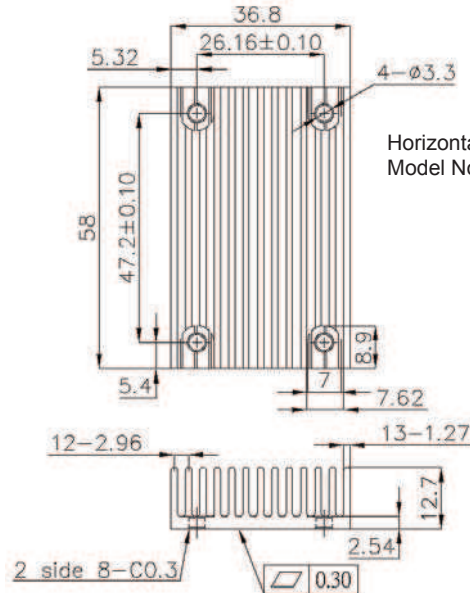
Quarter Brick Case Heatsink

Vertical Fins
Model No.: M-C421



Rca: 4.78°C/W, At natural convection
2.44°C/W, At 100LFM
2.06°C/W, At 200LFM
1.76°C/W, At 300LFM
1.58°C/W, At 400LFM

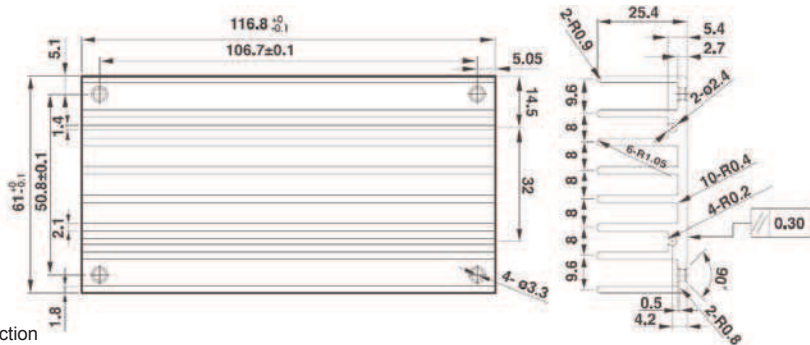
Horizontal Fins
Model No.: M-C488



Rca: 5.61°C/W, At natural convection
4.01°C/W, At 100LFM
3.39°C/W, At 200LFM
2.86°C/W, At 300LFM
2.49°C/W, At 400LFM

Full Brick Case Heatsink

Horizontal Fins
Model No.: M-B102



Thermal pad: SR60 x 115.8 x 0.23
Screws: M3 x 8
Thermal resistance: 2.07°C/W (typ.) at natural convection

Half Brick Heatsink Assembly

Heatsink: M-C308
M-C091
M-C092
Thermal pad: SZ56.9 x 60.0 x 0.25mm
Screws: M3 x 8

