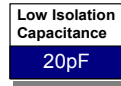


1.5 Watt BY-C Series



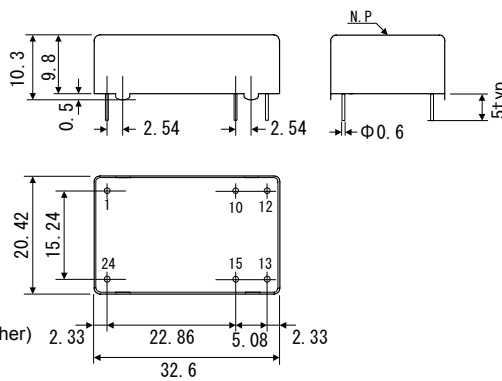
Between Primary and Secondary Low Isolation Capacitance of 20pF Isolated-Type DC-DC Converters

Input: 5V Output: 5V, 9V, 12V, 15V, ±12V, ±15V

- Between Primary-Secondary isolation capacitance of 20pF
- Long-Life with TCT Patent Circuit
- 24pin-DIP IC Size
- Over-Heat Protection
- No Electrolytic Capacitor, No Tantalum Capacitor
- Floating Type between Input and Output
- 5-Side Shield Structure (Electromagnetic Shield)
- EMI Line Filter
- Isolation Voltage DC500V
- Over-Current Protection
- Low Drift 50mV/8H
- Temp Coefficient ±0.02%/°C
- RoHS Compliance
- Operating Temp Range: -20°C to +70°C (Derating required for 50°C or higher)
- Additional capacitors are the same as those of BY-SL, BY-WL series.

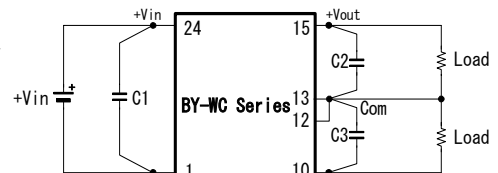
Models BY-C Series	Input V Vdc	Output V Vdc	Output I mA	Line Reg % (max.)	Load Reg % (max.)	Ripple/Noise mVpp(typ.)	Efficiency % (typ.)
BY05-05S20C	4.75-6	5	0-200	0.2	0.2	100	60
BY05-09S16C <small>Note 1</small>		9	0-160				
BY05-12S12C		12	0-120				
BY05-15S10C		15	0-100				
BY05-12W06C		±12	±0-65				
BY05-15W05C	±15	±0-53	0.5	0.5			

Note 1: BY05-09S16C is an order-received product. Note 2: Derating required for input voltage 5.25V or higher.



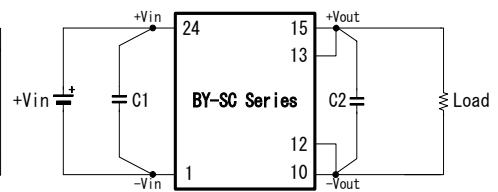
BY-SC

Pin	Function
1	-Vin
10	-Vout
12	-Vout
13	+Vout
15	+Vout
24	+Vin



BY-WC

Pin	Function
1	-Vin
10	-Vout
12	Common
13	Common
15	+Vout
24	+Vin



Units: mm
Weight: 15g typ.

- Note! This catalogue is an outline of the product. When designing, be sure to refer to the datasheet.

1.5 Watt BY-H Series



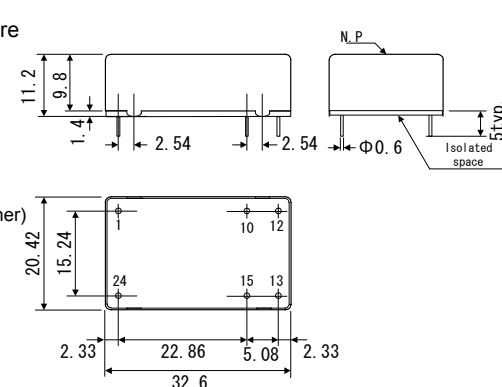
AC1500V High Isolated Type DC-DC Converter

Input: 5V Output: 5V, 12V, 15V, ±12V, ±15V

- Isolation Voltage AC1500V
- Long-Life with TCT Patent Circuit
- 24pin-DIP IC Size
- Over-Heat Protection
- No Electrolytic Capacitor, No Tantalum Capacitor
- Floating Type between Input and Output
- 5-Side Metallic shield structure
- EMI Line Filter
- Over-Current Protection
- RoHS Compliance
- Operating Temp Range: -20°C to +70°C (Derating required for 50°C or higher)
- Additional capacitors are the same as those of BY-SL, BY-WL series.

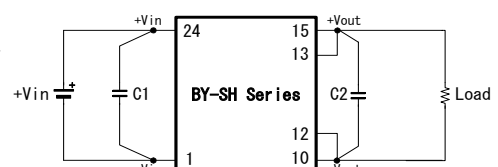
Models BY-H Series	Input V Vdc	Output V Vdc	Output I mA	Line Reg % (typ.)	Load Reg % (typ.)	Ripple/Noise mVpp(typ.)	Efficiency % (typ.)
BY05-05S20H	4.75-6	5	0-200	0.3	0.3	100	60
BY05-12S12H		12	0-120				
BY05-15S10H		15	0-100				
BY05-12W06H		±12	±0-65				
BY05-15W05H		±15	±0-53				

Note 1: Derating required for input voltage 5.25V or higher.



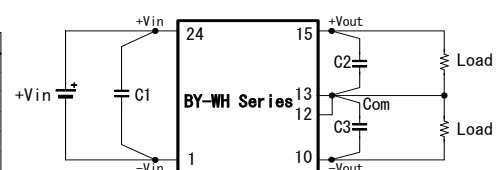
BY-SH

Pin	Function
1	-Vin
10	-Vout
12	-Vout
13	+Vout
15	+Vout
24	+Vin



BY-WH

Pin	Function
1	-Vin
10	-Vout
12	Common
13	Common
15	+Vout
24	+Vin



Units: mm
Weight: 17g typ.

- Note! This catalogue is an outline of the product. When designing, be sure to refer to the datasheet.