

# WCS-232 v4.0



## » Features

- Mode : Point to Point
- Speed : Max 115.2Kbps
- Distance : Max 100m, patch antenna: up to 1000m
- RF Specification : Bluetooth Specification Version 2.0 +EDR
- Connector : 1 RS232 port (DB-9 Female)

## Overview

WCS-232 converts RS232 signal to wireless Bluetooth signal. If both ends of communication use WCS-232, wireless 1:1 data communication is available. Portability is maximized so that it can be applied PC, laptop, PDA, etc. It is fully compatible with the serial COM port of PC, and the product needs to be used in pairs.

### Enhanced transmit distance

WCS-232 is a Class1 type of Bluetooth Serial Adapter that supports 100meters of wireless transmit distance by default. The WCS-232 has an extension option so that users can extend the transmit distance up to 1000 meters using optional antennas.



### Up to 1000m ication with Patch Antenna

working distance

SAT-G01R	—	SAT-G01R	100 meters
SAT-G01R	—	DAT-G01R	150 meters
DAT-G01R	—	DAT-G01R	200 meters
DAT-G01R	—	DAT5-G01R	300 meters
DAT-G01R	—	PAT-G01R	500 meters
DAT5-G01R	—	DAT5-G01R	400 meters
DAT5-G01R	—	PAT-G01R	600 meters
PAT-G01R	—	PAT-G01R	1,000 meters

## Specification

### RF Communication

Mode	RF Communication
Speed	3Mbps
Distance	Max. 1000m
RF Spec	Bluetooth Spec v2.0 +EDR
Bandwidth	2.402~2.480GHz (ISM Band)
RF Type	Frequency Hopping (1,600times/sec)
Channels	79 channels
Modulation	GFSK
Antenna	Polarization : None

### Hardware

Power Input	5~12VDC
Power Consumption	Max. 80mA @ 5VDC
LED	Link, TX, RX
Dimensions	74(W) 37(H) 19(D)mm
Weight	28g
Enclosure	Plastic (Dark Blue Color)

# Converter

## Specification

### Serial

Mode	Asynchronous serial communication
Speed	1200bps~115.2kbps Full Duplex
Data Bits	8 Data Bits
Stop Bits	1, 2 Stop Bits
Parity	Odd, Even, No Parity
Signals	Modem signals except RI
Buffer Size	760 Bytes
Flow Control	RTS/CTS On/Off possible, DTR/DSR/DCD loop back connected
Connector	RS232 : DB9 Female
Protection	15KV Surge Protection for all signals

### Environmental





Operating Temp.	0 ~ 55 °C (32 ~ 131 °F)
Storage Temp.	-20 ~ 70 °C (-4 ~ 158 °F)
Humidity	5 ~ 95%, Non condensing

### Approvals

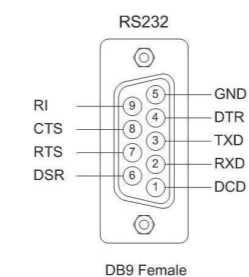
CE, RoHS Compliant
--------------------

## Ordering Information

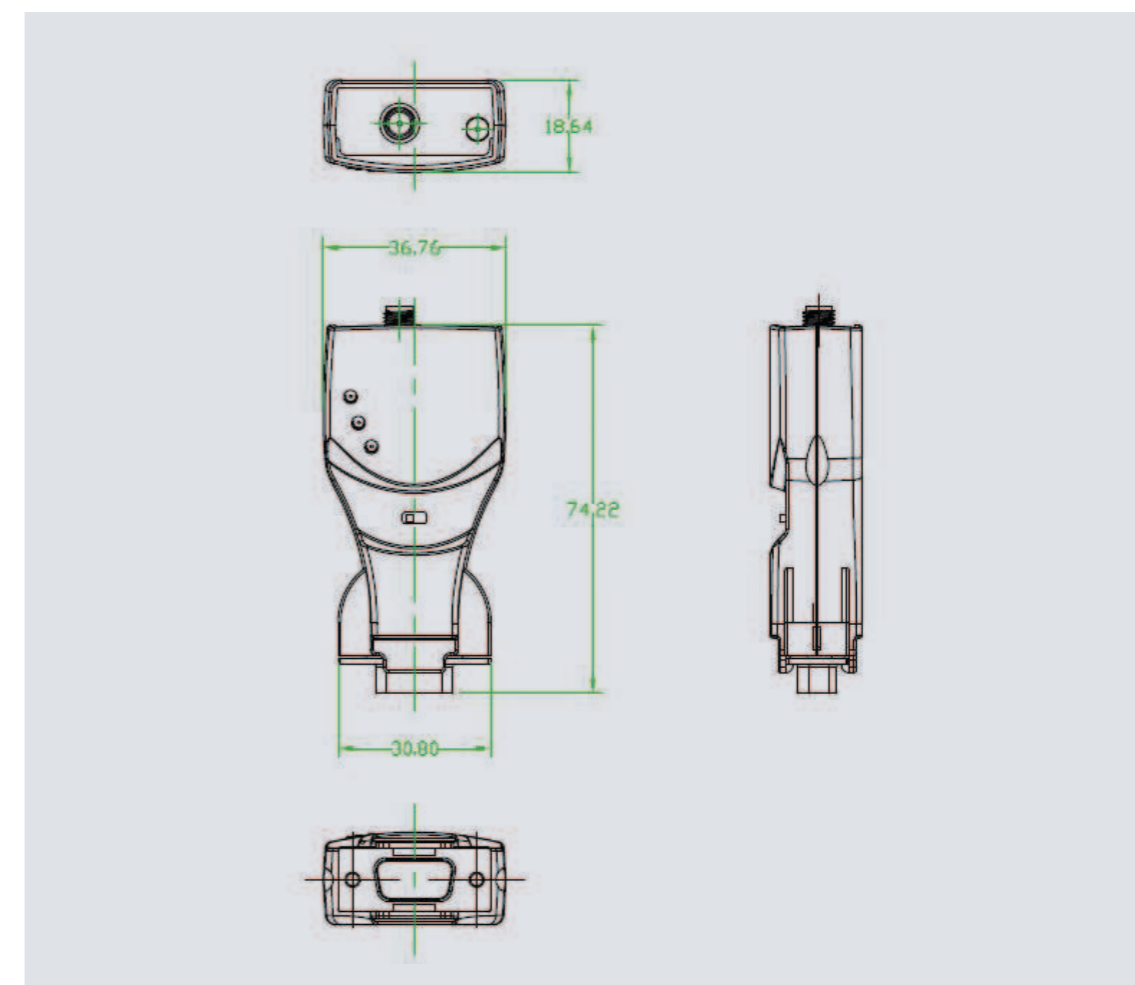
### Ordering Information

WCS-232 v4.0	<b>RS232 to Bluetooth Converter</b> Compliant to Bluetooth Spec. V2.0 +EDR WCS-232 v4.0 2EA, 9V DC Adapter 2EA USB power cable 2EA, Option Antennas	
		- SAT-G01R : 1 dBi stub antenna-RP-SMA Plug
		- DAT-G01R : 3 dBi dipole- RP-SMA Plug
		- DAT5-G01R : 5 dBi dipole- RP-SMA Plug 오른나사
		- PAT-G01R : RP-SMA Plug , 9dBi patch antenna

## Pin Assignment



## Dimension



Sales Inquiry : sales@sysbas.com / Technical Support : tech@sysbas.com