

80X80X25 mm

JF0825-06 Series



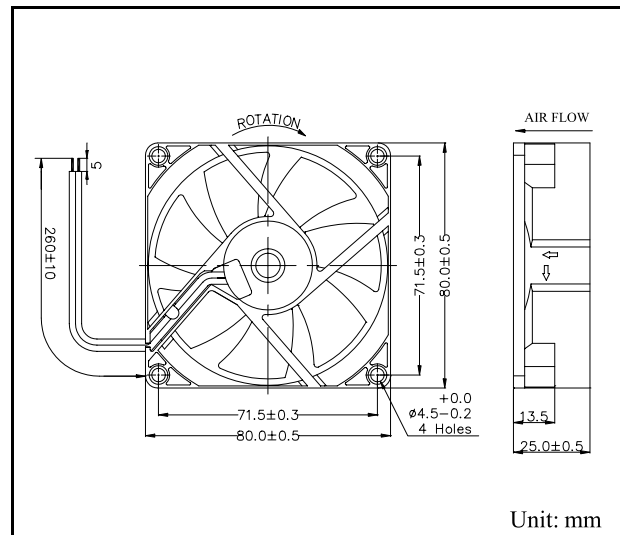
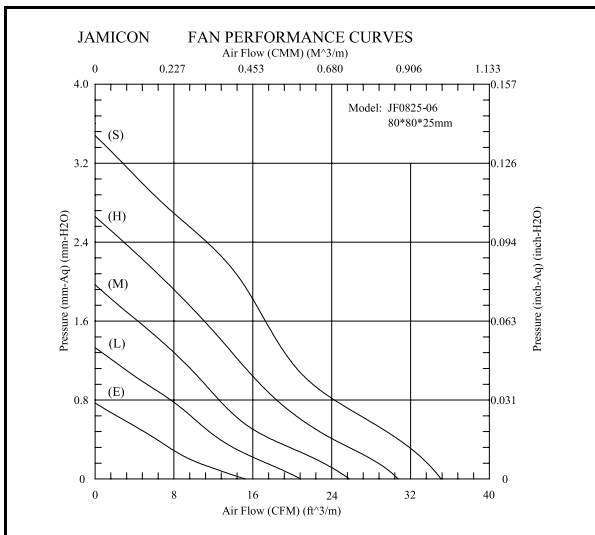
- **Frame** : Plastic Material UL 94V-0
- **Impeller** : Plastic Material UL 94V-0
- **Speed Range** : ±10%

SPECIFICATIONS

Model	Bearing	Rated Voltage (V)	Operating Voltage (V)	Air Flow (CFM)	Static Pressure (inchH ₂ O)	Speed (R.P.M.)	Input Current (Amp)	Input Power (Watt)	Nominal Current (Amp)	Noise (dBA)	Weight (g)
JF0825-1SR06	H, S	12	10.2 ~ 13.8	35.19	0.137	3500	0.26	3.12	0.26	38.0	53
JF0825-1H-06	H, S			30.73	0.105	3000	0.19	2.28	0.19	33.5	
JF0825-1M-06	H, S			25.80	0.078	2500	0.13	1.56	0.15	29.0	
JF0825-1L-06	H, S			20.85	0.052	2000	0.09	1.08	0.10	23.2	
JF0825-1E-06	H, S			15.22	0.030	1500	0.06	0.72	0.06	15.8	
JF0825-2SR06	H, S	24	20.4 ~ 27.6	35.19	0.137	3500	0.16	3.84	0.17	38.0	
JF0825-2H-06	H, S			30.73	0.105	3000	0.13	3.12	0.15	33.5	
JF0825-2M-06	H, S			25.80	0.078	2500	0.10	2.40	0.13	29.0	
JF0825-2L-06	H, S			20.85	0.052	2000	0.07	1.68	0.10	23.2	
JF0825-2E-06	H, S			15.22	0.030	1500	0.04	0.96	0.05	15.8	

Specifications subject to change without notice

The 7TH character of Model No means the bearing code. Please refer to the page "PART NUMBER SYSTEM". Please contact us for detail if your request bearing system is not shown in the above list.



Unit: mm