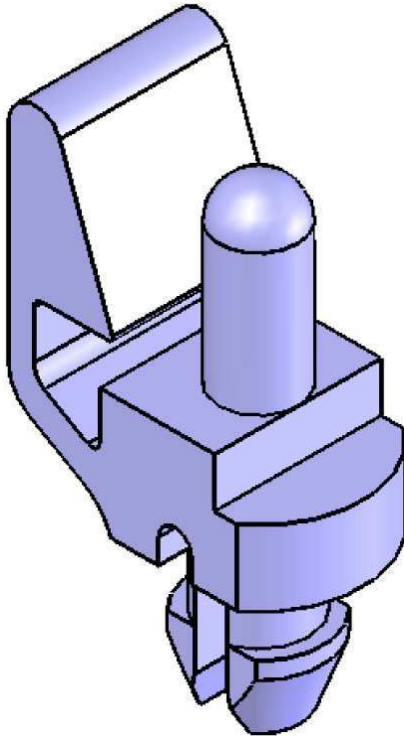


Colibri Fastener

Datasheet



Revision History

Date	Doc. Rev.	Colibri Fastener Version	Changes
22-Oct-07	Rev. 1.0	V1.00	Initial release
08-Nov-07	Rev. 1.1	V1.00	Added UL compliance
08-Feb-11	Rev. 1.2	V1.00	Added additional mounting instructions



Contents

1. Introduction.....	3
2. Mounting	3
3. Material	4
4. Drawings.....	5



1. Introduction

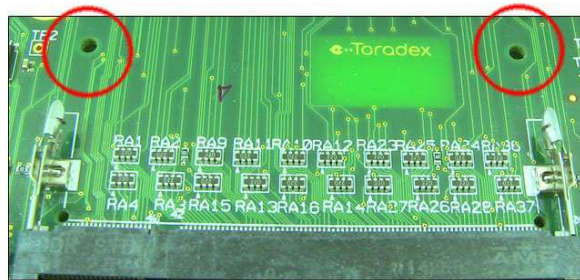
The Colibri Fastener is made for a better fixation of the Colibri on its carrier board. Two of them can be inserted into prefabricated holes on the carrier board. After this, the Colibri module can be easily clipped into the locking mechanism of the Colibri Fastener.

2. Mounting

All carrier boards from Toradex provide mounting holes for two Colibri Fasteners. The following pictures show you how to install the Colibri Fasteners and fix the Colibri computer module firmly in its SO-DIMM socket.

Inserting the Colibri module is critical, if done wrong the Colibri can break due mechanical stress! Please look for the Colibri Fastener Video on our Webpage for more detailed information about the insertion process.

These holes are available on every Toradex carrier board



Insert the two Colibri Fasteners

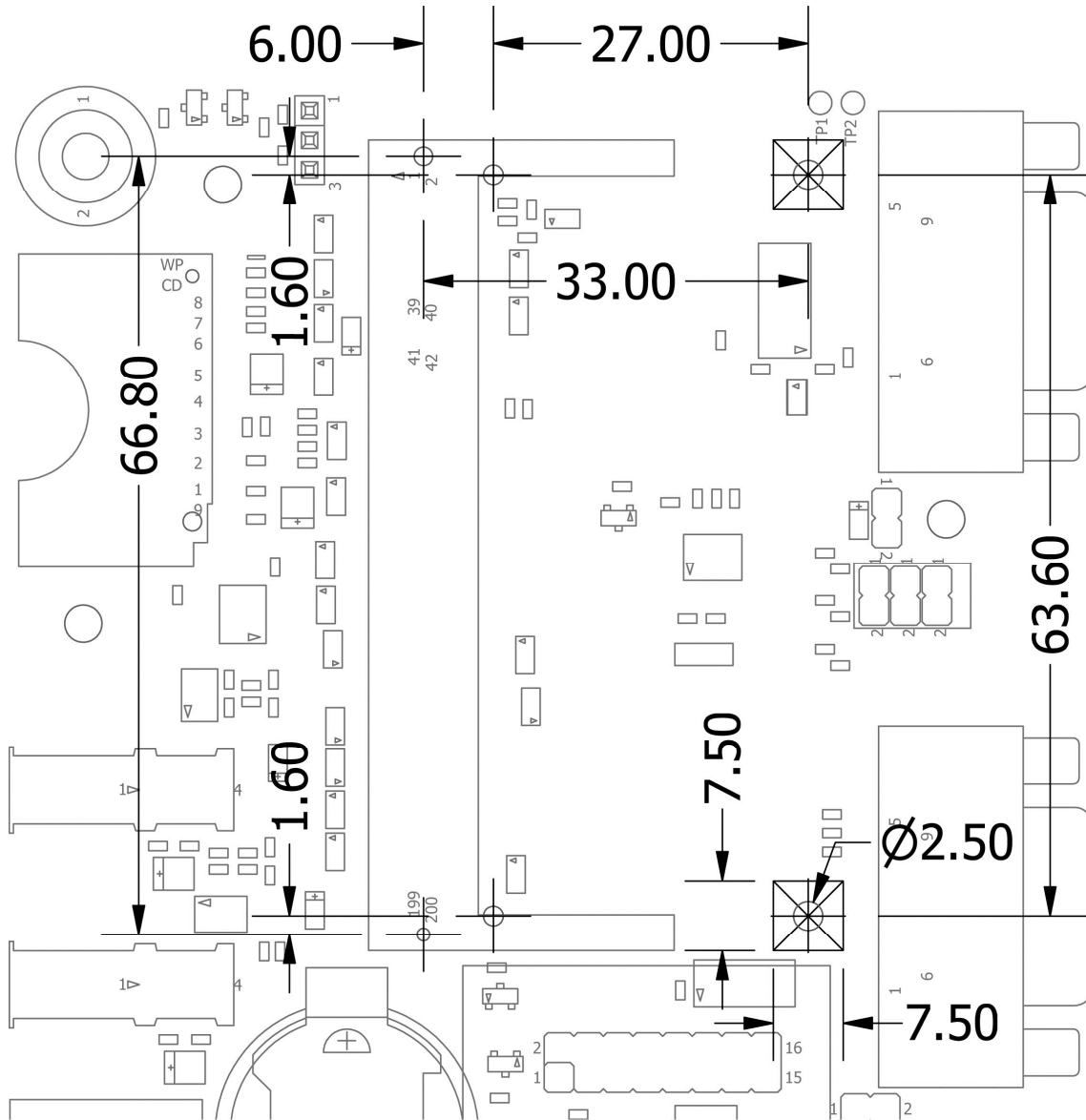


Mount the Colibri computer module





If you are using a self designed carrier board, please consider the following drawings to locate the mounting holes properly.

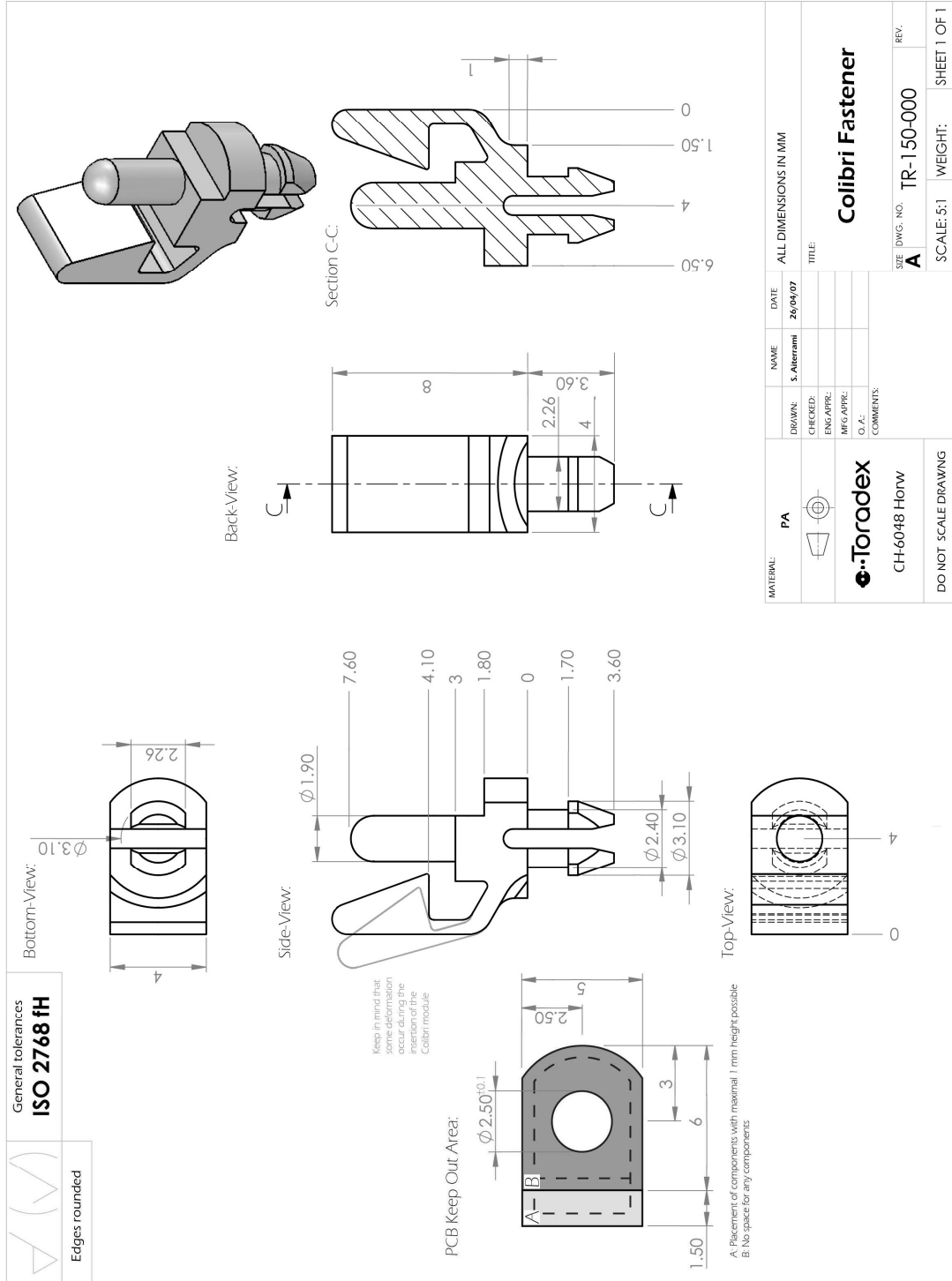


3. Material

The Colibri Fasteners consist of polyamide plastic which meets the UL 94 HB standar



4. Drawings



**Disclaimer:**

Toradex AG reserves the right to make changes, without notice, to any product, including circuits and/or software described or contained in this datasheet.

Toradex AG assumes no responsibility or liability for the use of the described product(s), conveys no license or title under any patent, copyright, or mask work rights to these products, and makes no representations or warranties that these products are free from patent, copyright, or mask work right infringement, unless otherwise specified.

Trademark Acknowledgement:

Brand and product names are trademarks or registered trademarks of their respective owners.