

Sirius Downlight Series



Description

The Everlight Sirius Downlight Series is the highly energy-efficient luminaire, and provides complete lighting solution to replace traditional downlight or recessed luminaires. It fits all standard Ø6 inch downlight and provides three types power consumption and beam angle to meet different need in general lighting applications.

Features

- No UV or IR light radiation
- Power Efficacy > 80%
- Power Factor > 0.9
- Three Type Beam Angle : 15, 35, 110 degree
- Support angle adjustable : 30 degree
- Operation temperature : -20 °C ~40 °C
- Storage Temperature : -30 °C ~60 °C
- Lifetime : 40,000 hrs
- Do not covered with insulating matting or similar material on the luminaire

Applications

- Indoor Lighting
- Commercial Lighting
- Residential Lighting
- Under Cabinet Lighting

Coding of Part Number:

OL-Sirius / H / 6 / CS / P15 / 15 / E27 / ND / UNI / CE
 1 2 3 4 5 6 7 8 9 10

1. Product Series

OL-Sirius : Office Lighting-Sirius Downlight Series

2. LED Type

H : High Power LED

3. Ceiling Cutout Diameter Spec

6 : 6 Inch

4. Installation Type

CS : Concave-Short type

CL : Concave-Long type

5. Power Consumption

P15 : 15W

P25 : 25W

6. Beam Angle

15 : 15 degree

35 : 35 degree

110 : 110 degree

7. Correlated Color Temperature

E27 : ANSI C78 2700K

E57 : ANSI C78 5700K

8. Dimming

ND : Not Dimmable

9. Input Voltage

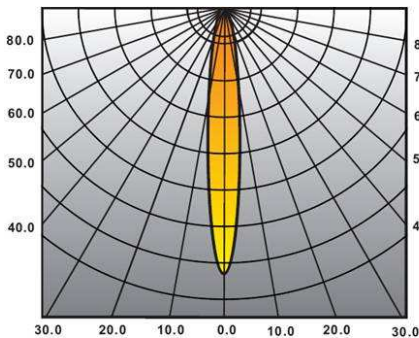
UNI : Universal 100~240 VAC

10. Package

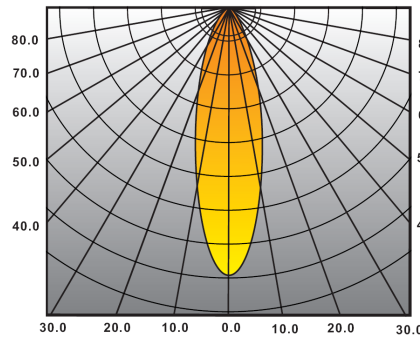
CE : Industrial Package. CE certified

Characteristic Intensity Distribution Curve

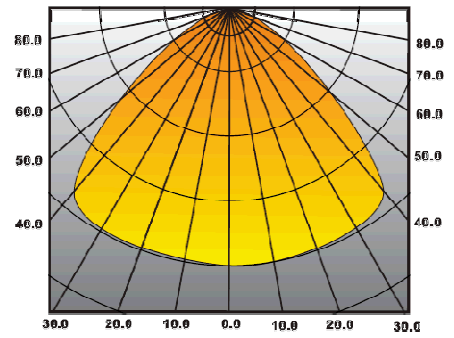
15 degree



35 degree



110 degree

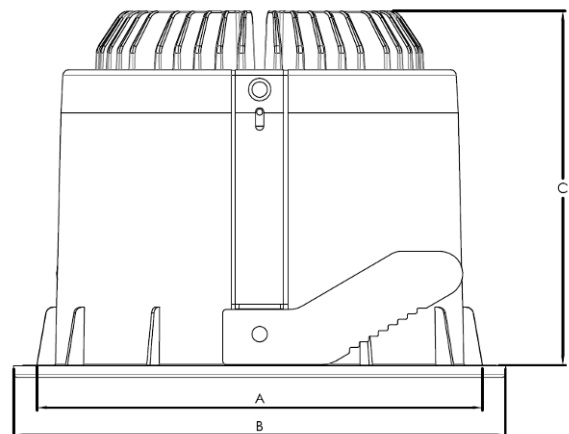


Product Dimensions

Concave Model	A	B	C
6 inch 15 watt - Short	158	175	75
6 inch 15 watt - Long	158	175	121
6 inch 25 watt - Short	158	175	79
6 inch 25 watt - Long	158	175	125

Notes:

- 1. Dimensions are in millimeters
- 2. Tolerances unless dimensions $\pm 0.5\text{mm}$



Luminance and Technical Data

6 inch Short Concave 15W	CCT	Beam Angle	Flux	Efficacy	CRI
OL-Sirius/H/6/CS/P15/15/E27/ND/UNI	2700K	15 degree	750 lm	50 lm/w	80
OL-Sirius/H/6/CS/P15/35/E27/ND/UNI	2700K	35 degree	750 lm	50 lm/w	80
OL-Sirius/H/6/CS/P15/110/E27/ND/UNI	2700K	110 degree	675 lm	45 lm/w	80
OL-Sirius/H/6/CS/P15/15/E57/ND/UNI	5700K	15 degree	1050 lm	70 lm/w	75
OL-Sirius/H/6/CS/P15/35/E57/ND/UNI	5700K	35 degree	1050 lm	70 lm/w	75
OL-Sirius/H/6/CS/P15/110/E57/ND/UNI	5700K	110 degree	975 lm	65 lm/w	75
6 inch Long Concave 15W	CCT	Beam Angle	Flux	Efficacy	CRI
OL-Sirius/H/6/CL/P15/15/E27/ND/UNI	2700K	15 degree	750 lm	50 lm/w	80
OL-Sirius/H/6/CL/P15/35/E27/ND/UNI	2700K	35 degree	750 lm	50 lm/w	80
OL-Sirius/H/6/CL/P15/110/E27/ND/UNI	2700K	110 degree	600 lm	40 lm/w	80
OL-Sirius/H/6/CL/P15/15/E57/ND/UNI	5700K	15 degree	1050 lm	70 lm/w	75
OL-Sirius/H/6/CL/P15/35/E57/ND/UNI	5700K	35 degree	1050 lm	70 lm/w	75
OL-Sirius/H/6/CL/P15/110/E57/ND/UNI	5700K	110 degree	900 lm	60 lm/w	75
6 inch Short Concave 25W	CCT	Beam Angle	Flux	Efficacy	CRI
OL-Sirius/H/6/CS/P25/15/E27/ND/UNI	2700K	15 degree	1250 lm	50 lm/w	80
OL-Sirius/H/6/CS/P25/35/E27/ND/UNI	2700K	35 degree	1250 lm	50 lm/w	80
OL-Sirius/H/6/CS/P25/110/E27/ND/UNI	2700K	110 degree	1125 lm	45 lm/w	80
OL-Sirius/H/6/CS/P25/15/E57/ND/UNI	5700K	15 degree	1750 lm	70 lm/w	75
OL-Sirius/H/6/CS/P25/35/E57/ND/UNI	5700K	35 degree	1750 lm	70 lm/w	75
OL-Sirius/H/6/CS/P25/110/E57/ND/UNI	5700K	110 degree	1625 lm	65 lm/w	75
6 inch Long Concave 25W	CCT	Beam Angle	Flux	Efficacy	CRI
OL-Sirius/H/6/CL/P25/15/E27/ND/UNI	2700K	15 degree	1250 lm	50 lm/w	80
OL-Sirius/H/6/CL/P25/35/E27/ND/UNI	2700K	35 degree	1250 lm	50 lm/w	80
OL-Sirius/H/6/CL/P25/110/E27/ND/UNI	2700K	110 degree	1000 lm	40 lm/w	80
OL-Sirius/H/6/CL/P25/15/E57/ND/UNI	5700K	15 degree	1750 lm	70 lm/w	75
OL-Sirius/H/6/CL/P25/35/E57/ND/UNI	5700K	35 degree	1750 lm	70 lm/w	75
OL-Sirius/H/6/CL/P25/110/E57/ND/UNI	5700K	110 degree	1500 lm	60 lm/w	75

CRI measurement tolerance: ±3

Luminous Flux measurement tolerance ± 10%

Package Dimension

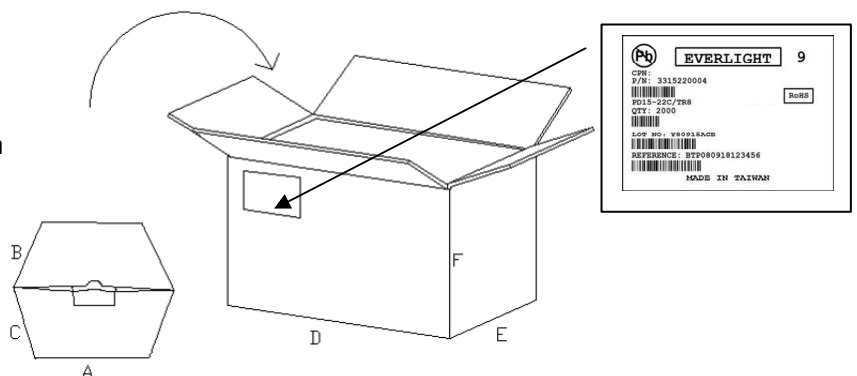
Concave Model									
6 inch 15 watt - Short	Inner Box	Carton	230	210	140	485	445	165	4.8
6 inch 15 watt - Long			210	210	185	485	445	210	5.0
6 inch 25 watt - Short			230	210	145	485	445	170	5.2
6 inch 25 watt - Long			230	210	190	485	445	215	5.5

Packing Quantity :

- 1 Luminaire & 1 Power / 1 Inner Box
- Flat Model : 10 Inner Boxes / 1 Carton
- Concave Model : 4 Inner Boxes / 1 Carton

Notes:

- Dimensions are in millimeters
- Weight is in Kg



Accessories – Trim and Lens

Downlight Trims for Concave Model :

Black Type



Silver Type

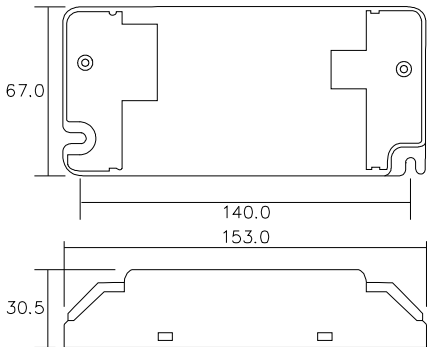


Light Control Lens : Glareless Lens



Accessories - Power

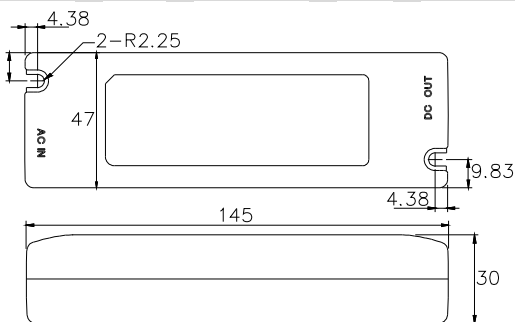
6 inch 15 watt power :



Terminal Block Type

P/N	Introduction	Input Voltage (V)	Output Voltage (V)	Amp Spec.(A)	Power Factor
LTVC18B-Z UNI	AC to DC power transfer device	90 ~ 264VAC	12~27VDC	700mA	> 0.9

6 inch 25 watt power :



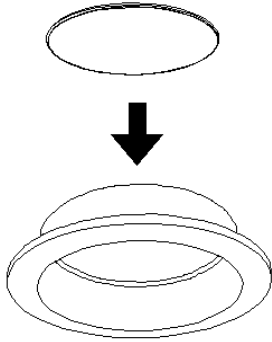
Connector Type(CH4202)

P/N	Introduction	Input Voltage (V)	Output Voltage (V)	Amp Spec.(A)	Power Factor
PLN-30-36 ELT4	AC to DC power transfer device	90 ~ 295VAC	18~36VDC	840mA	> 0.9

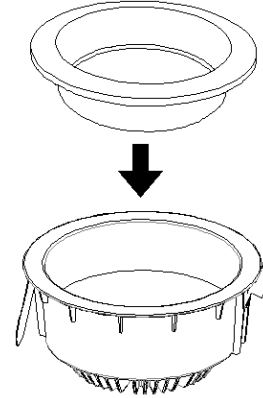
Trim and Glareless Lens Installation

Case 1. Trim and Glareless Lens

Step1. Assembly the Glareless lens with Trim

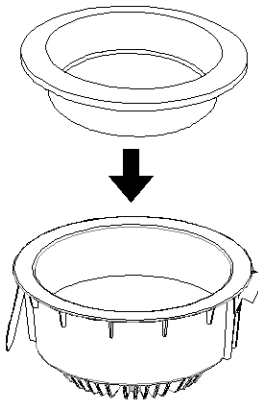


Step2. Assembly the Trim with Luminaire



Case 2. Only Trim

Step1. Assembly the Trim with Luminaire

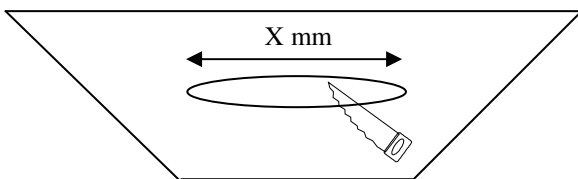


Luminaire Installation

Step1.

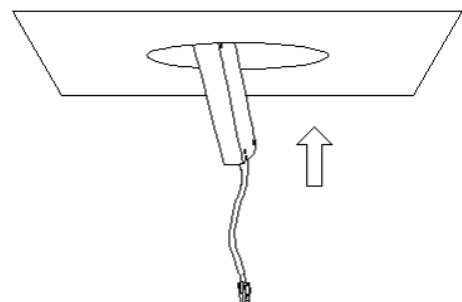
The ceiling cutout diameter is X mm

6 inch concave model : Ø160mm



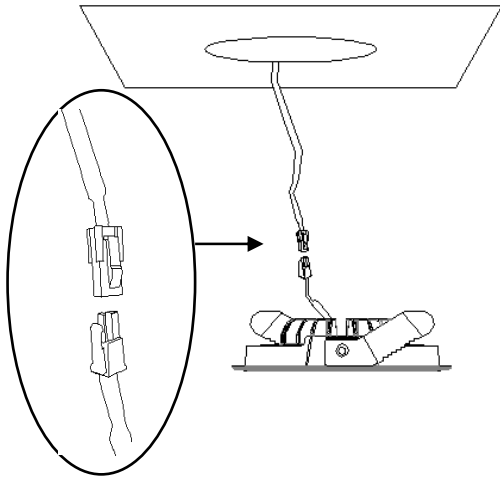
Step2.

Power is connected with the AC line, and place the power on the ceiling.



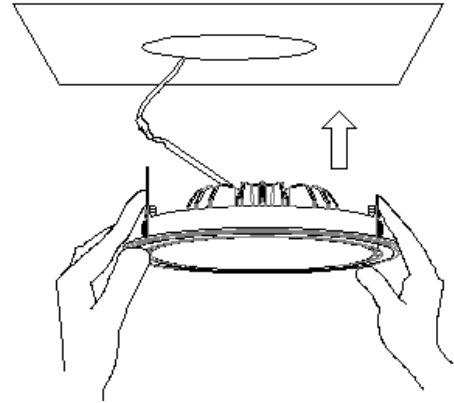
Step3.

Combine the Sirius Downlight with power by wire to wire connector.



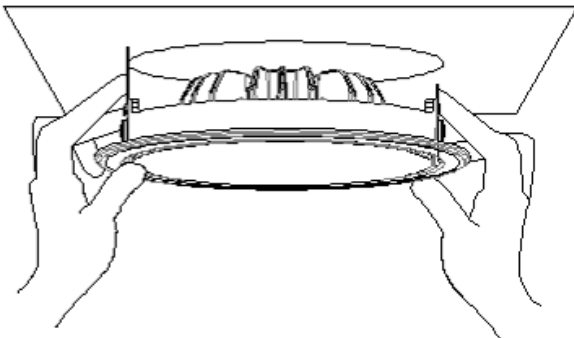
Step4.

The Sirius Downlight to be set up on the ceiling.



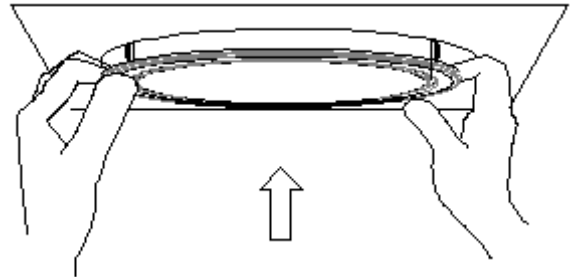
Step5.

Press the two holders



Step6.

Push Sirius Downlight up and holders will stick on the ceiling



Step7.

Complete Sirius Downlight installation

