



- Optimized heat fins with sleek design
- Universal power input
- Current controlled LED driver integrated on PCB
- Operation temperature:-20°C~40°C
- Long lifetime: 25000 hours(L₇₀)
- E26 / E27 screw mount cap

Typical Applications

- Agricultural Lighting
- Aquarium Lighting
- Biological Lighting
- Mood Lighting
- Professional Lighting Application

Description

These EVERLIGHT LED modules are designed for agricultural applications and possess many superior features compared to traditional **PAR lamp**. These LED light modules are based on market reliability and design requirements and use low power, high efficiency LEDs.

Features

- Light source: Everlight SMD LED
- Low power consumption
- High luminosity and long life time
- Customer defined RGB wavelength and ratio
- Environmentally friendly
- Excellent opto-electronic performance
- Optimized heat fins for natural convection
- No UV or IR light radiation

Product Specification

Parameter	Description
Lens	PC
Housing	Die Casting Aluminum
Cap	E26 / E27 screw cap
Power Input	Non-Dimmable : 100~240 VAC
Power Efficacy	80%
Power Consumption	15 Watts
Power Factor	100V AC/60Hz, PF≥0.7 220V AC/50Hz, PF≥0.7
Optimized Body Temperature @25°C	55°C
Operation Temperature	-20°C~40°C
Storage Temperature	-30°C~80°C
Weight	580g



Coding of part number:

GL – PAR38 / C / P15 / RW / ND / 27 / UNI
1 2 3 4 5 6 7

1. Product series

GL-PAR38: Agricultural PAR Lamp series

2. LED Type

C: Everlight HP C LED

3. Power Consumption

P15: 15W (No Dimming)

4. Recipe [1]

R901: R : G : B = 9 : 0 : 1

R802: R : G : B = 8 : 0 : 2

R811: R : G : B = 8 : 1 : 1

R100: R : G : B = 1 : 0 : 0

RW: Red and White LED

Note. 1. The RGB ratio is defined by the Photosynthetic Photon Flux Intensity (PPFD, $\mu\text{mol}/\text{m}^2/\text{s}$). Standard ratio tolerance is ± 1 .

5. DimmingControl

ND: No Dimming

6. Lamp-holder

26: E26

27: E27

7. Input Voltage

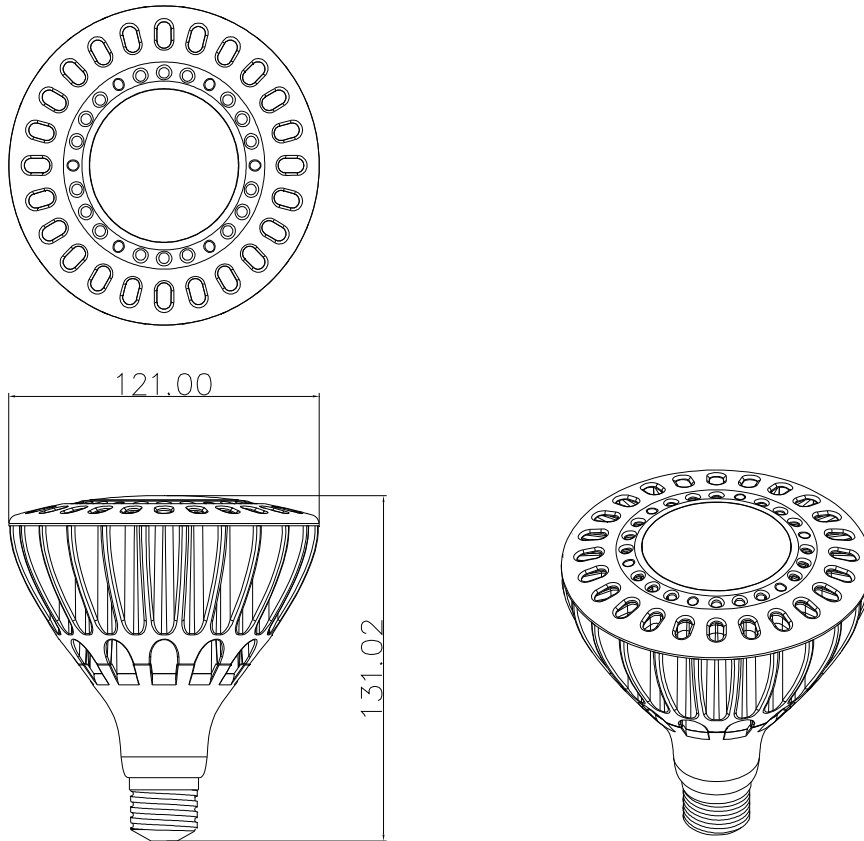
LAC: 100~120VAC

HAC: 220~240VAC

UNI : Universal 100~240 VAC



Product Dimensions



- Notes: 1. Dimensions are in millimeters
2. Tolerances unless dimensions $\pm 0.5\text{mm}$

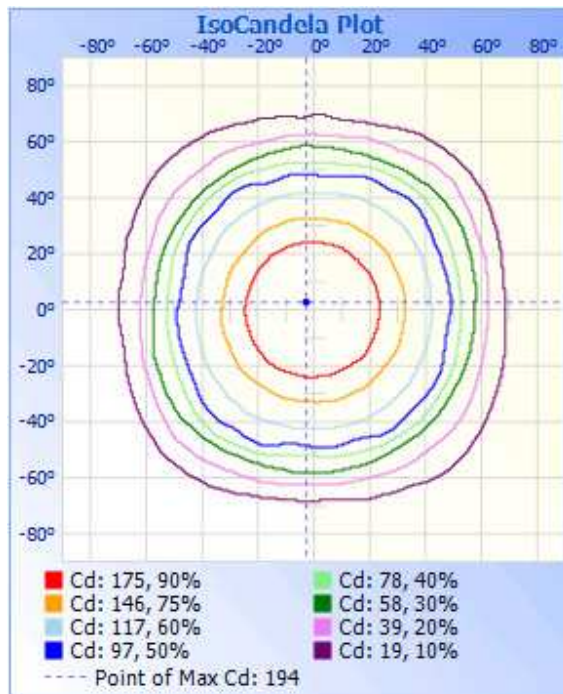
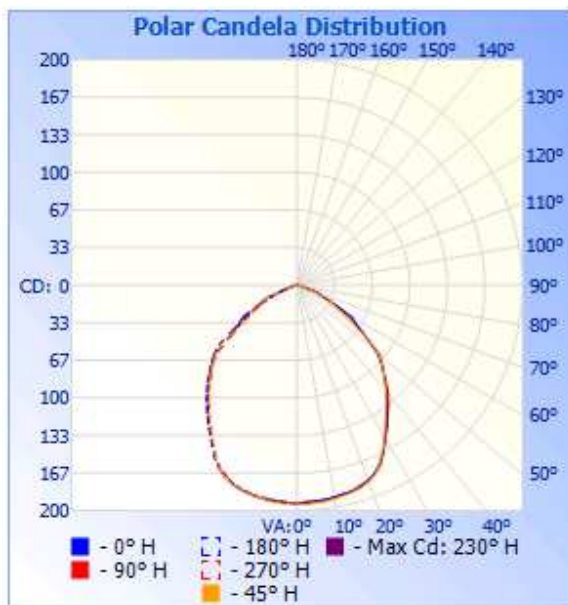


Typical Electro-Optical Characteristics

Relative Spectral Distribution, $P_{input}= 15W, T_{Ambient}=25^{\circ}C$

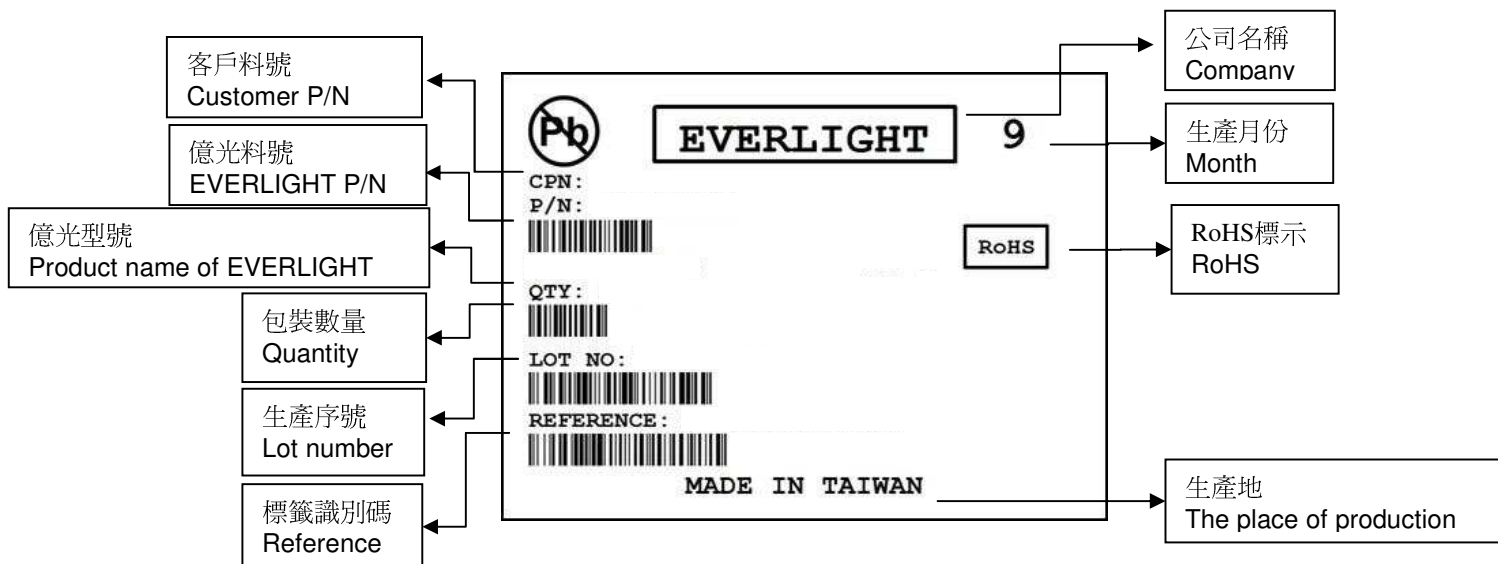
Model	Beam Angle	(x,y)	Lux@15cm	umole@15cm
GL-PAR38/C/P15/RW/ND/27/UNI	100°	(0.456,0.317)±0.02	>5000	>300

Intensity Distribution



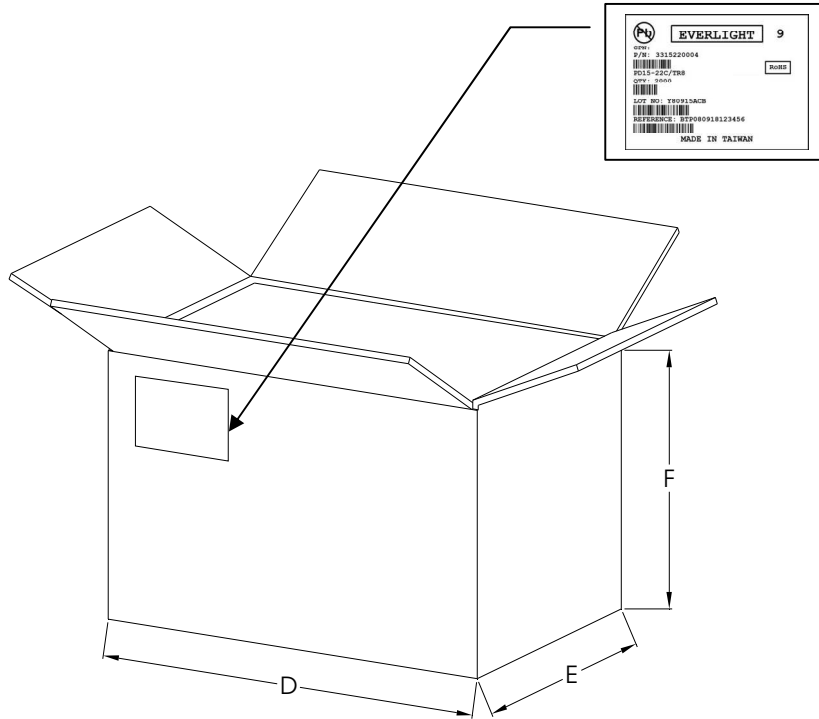
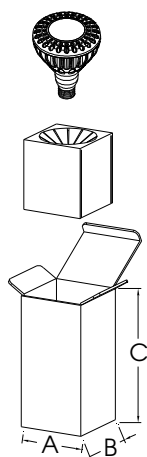


Label Explanation





Packaging Dimension



Package	Unit: mm	Unit: kg
A	130	0.61
B	130	
C	150	
Outer Box		
D	320	4.66
E	290	
F	770	

Packing Quantity

- ① 1 Luminaire / 1 Package
- ② 6 Packages / 1 Outer Box



Installation Instruction and Warning

- Do not open - no user serviceable parts inside.
- Turn off power before inspection, installation, or removal.
- Not for use where exposed to the weather.
- Do not use in totally enclosed fixtures.
- Not for use with dimmers.
- Not intended for use with emergency exit fixtures or emergency