

Office Lighting Flat Luminaire Series



Features

- No UV light radiation
- Full range of white colors available
- Ra>75 for white color
- High luminosity output
- Long lifetime>35000 hours(L₇₀)

Typical Applications

- Indoor Lighting
- Architectural Lighting
- Agricultural Lighting

Coding of Part Number:

OL – Flat / ML2 / N / P11

1 2 3 4 5

1. Product series

OL: Office Lighting

2. Luminaire Type

Flat: Cobra simple fixture series

3. Suitable Lighting Source

ML2: 10w T5 Cobra x1

ML3: 15w T5 Cobra x1

ML4: 20w T5 Cobra x1

4. Bracket

N: No fixed bracket

B: Fixed bracket type

5. Estimated Power Consumption

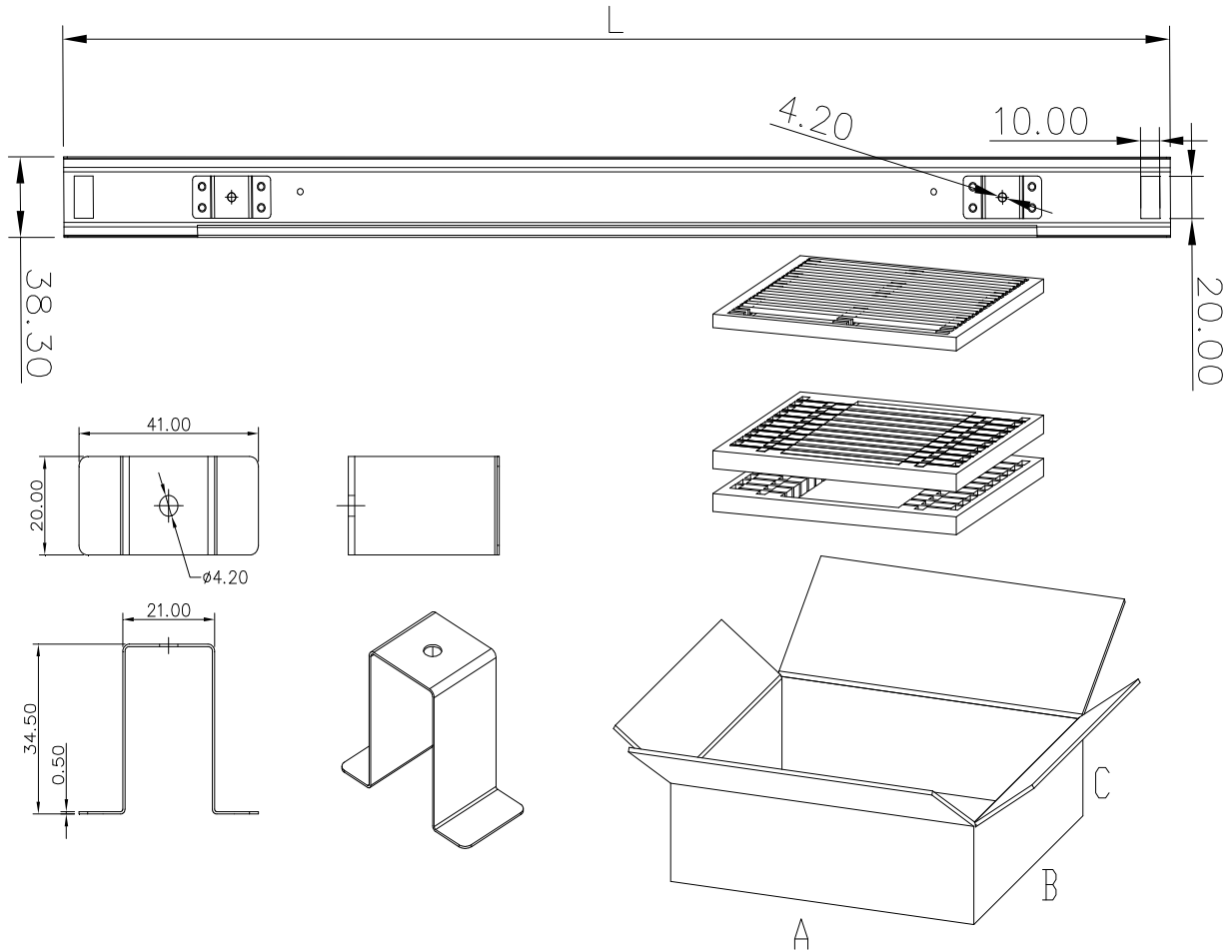
P11: 11W (For ML2 only)

P17: 17W (For ML3 only)

P23: 23W (For ML4 only)

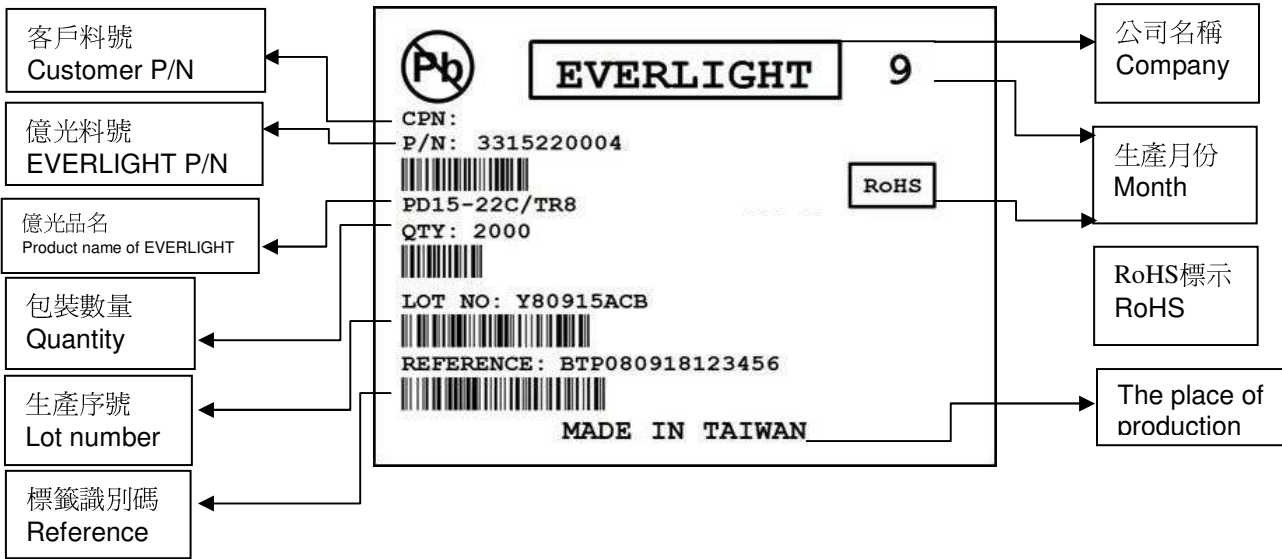
Parameter	Description
Suggested Light Source	Everlight Cobra Module
Operation Temperature	-20°C ~+40°C
Storage Temperature	-20°C ~+60°C
Power Input	100~240 VAC Input
Estimated Power Consumption	11 Watt For ML2 17 Watt For ML3, 23 Watt For ML4
Power Supplier	AC to DC power source
Power Factor	100V AC/60Hz, PF>0.9 230V AC/50Hz, PF>0.9

Packaging Dimension and Weight

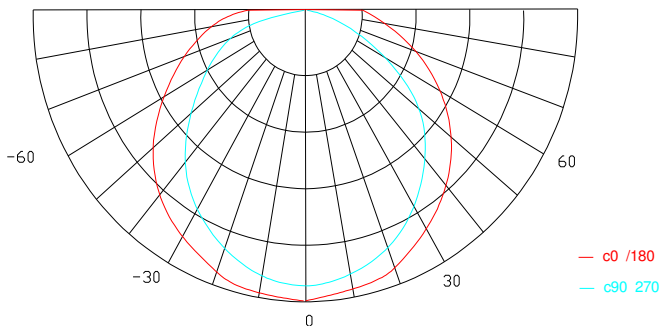


	ML2		ML3		ML4	
Lamp Size (L, mm)	580		879		1180	
Lamp Weight (with power, Kg)	OL-Flat-N	0.16	OL-Flat-N	0.23	OL-Flat-N	0.30
	OL-Flat-B	0.18	OL-Flat-B	0.26	OL-Flat-B	0.34
Package Size (mm)	A	639	A	940	A	1240
	B	603	B	320	B	320
	C	185	C	345	C	345
Products per Carton	20		20		20	
Total Weight (Kg)	OL-Flat-N	6.4	OL-Flat-N	8.8	OL-Flat-N	11.2
	OL-Flat-B	6.8	OL-Flat-B	9.4	OL-Flat-B	12

Label Explanation



Characteristic Intensity Distribution Curve



The intensity distribution curves measured by goniophotometer with suggested Everlight LED T5 light tubes for light sources.

Illumination Lux Output*

OL-Flat-ML2**	HF				LF			
	3000K	4000K	5000K	6000K	3000K	4000K	5000K	6000K
Lux @ 1m	190	230	250	250	220	260	280	280
Lux @ 2m	70	80	90	90	80	90	100	100

*The values are measured by the TES 1336A lux meter. The above values are rounded and are for reference only. The margin of error in lux meter : 5%.

**The value of lux measured with OL-Flat/ML2 luminaire and place in one SL-Cobra/T5 LED tube.

Application Notes

To ensure optimal performance of the OL-Flat series Office Lighting, operation within parameters of this datasheet and understanding of the internal components is crucial.

LED T5 Tube

The light source of the OL-Flat series is suggested the Everlight LED T5 Cobra light tube. This LED light tube is **DC DRIVEN ONLY** and the power input should be **48VDC**. Driving the Everlight LED T5 Cobra light tube with AC power input may be hazardous and result in failure. The Everlight LED T5 Cobra in the OL-Flat can only be replaced by an equivalent Everlight LED T5 Cobra. This will greatly reduce the possibility of incompatible light sources that may be hazardous and result in failure.

When installing the Everlight LED T5 Cobra, please ensure that pins are properly placed within the socket and turned a full 90°. This will ensure optimal light output and performance.

The lens of the Everlight LED T5 Cobra is composed of standard polycarbonate material. Unnecessary pressure or bending of the lens may result in puncturing or cracking the surface. Please handle with care.

Although the Everlight LED T5 Cobra is fitted with an aluminum heat sink, proper airflow will ensure optimal performance and lifetime.

Power Supply

The power supply is an AC to DC power transfer device rated at 12.5 W and 25.4 W that has the capability to deliver an output of 48 VDC with a standard rated current of 0.24A and 0.48A. The input is rated at 100-240VAC 50/60Hz with a range capability of up to 90-264VAC 47-63Hz. The current max achievable is 0.26 A and 0.53 A. Two pins each are reserved for both input and output power of the power supply. Please see the diagram below for pin configuration of the PSU.

Pin Layout

Section	Pin	Description
Conn1	L	Input
	N	Input
Conn2	V-	Gnd
	V+	Output

