



LIGHTING FOREVER

Technical Data Sheet

204-15/T2C3-2LQA

Features

- Popular T-1 round package.
- High luminous power.
- Typical chromaticity coordinates $x=0.26$, $y=0.27$ according to CIE1931.
- Bulk, available taped on reel.
- ESD-withstand voltage: up to 4KV
- The product itself will remain within RoHS compliant version.



Descriptions

- The series is designed for application required high luminous intensity.
- The phosphor filled in the reflector converts the blue emission of InGaN chip to ideal white.

Applications

- Message panels
- Optical Indicators
- Backlighting
- Marker Lights

CONFIDENTIAL

Device Selection Guide

PART NO.	Chip		Lens Color
	Material	Emitted Color	
204-15/T2C3-2LQA	InGaN	White	Water Clear

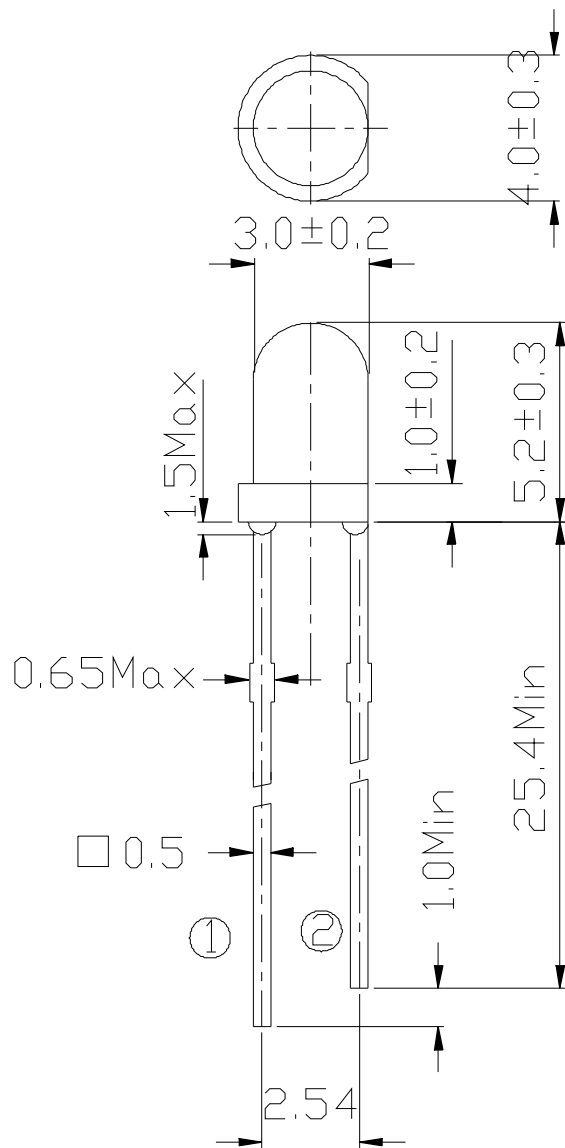


LIGHTING FOREVER

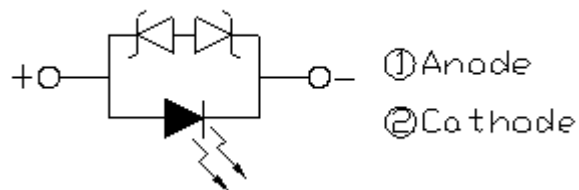
Technical Data Sheet

204-15/T2C3-2LQA

Package Dimensions



CONFIDENTIAL



Notes:

1. All dimensions are in millimeters, and tolerance is 0.25mm except being specified.
2. Lead spacing is measured where the lead emerges from the package.
3. Protruded resin under flange is 1.5mm Max. LED.