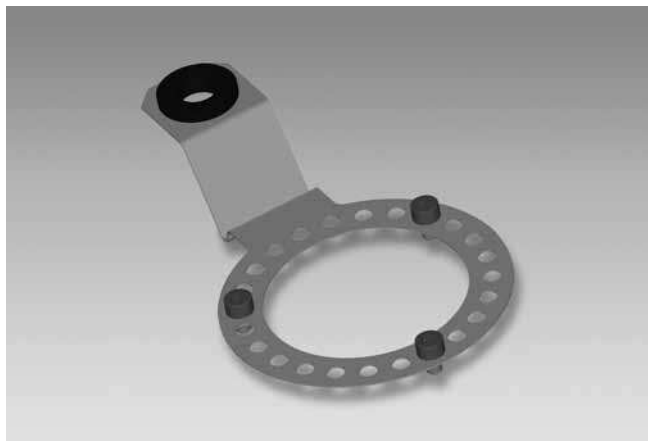


Accessories

Mounting accessories

Tether arm 3/8" fixed length



Features

- Fast and easy mounting on encoder. Prevents against bearing force overload.

Part number

11076339 Tether arm T1, fixed length, for bolt 3/8" with plastic clip and screws

Suitable for

HS35F, HS35P - Programmable, HS35S - Sine

Dimensions

