

Accessories

Mounting accessories

Mounting kit 019



Features

- For high-dynamic applications.

Description

Torque support onto encoder by help of the attached screws. Push encoder onto the drive shaft and mount torque support onto the client side.

Part number

11073114 Mounting kit 019

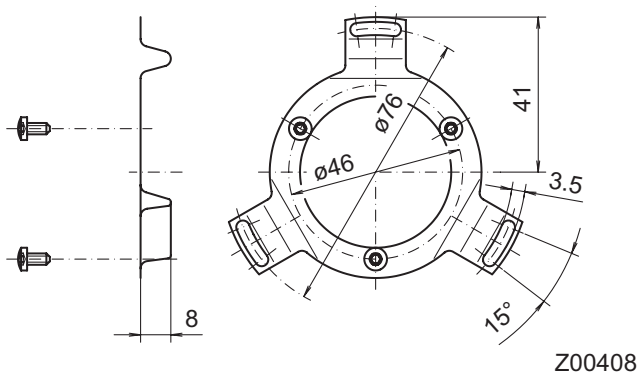
Scope of delivery

Included:
torque support, three screws M3 x 6 (DIN 7985 - TX10)

Suitable for

ATD2AH00, ITD21H00, ITD22H00, ITD22H00 SIL,
ITD2PH00

Dimensions



Dimension

