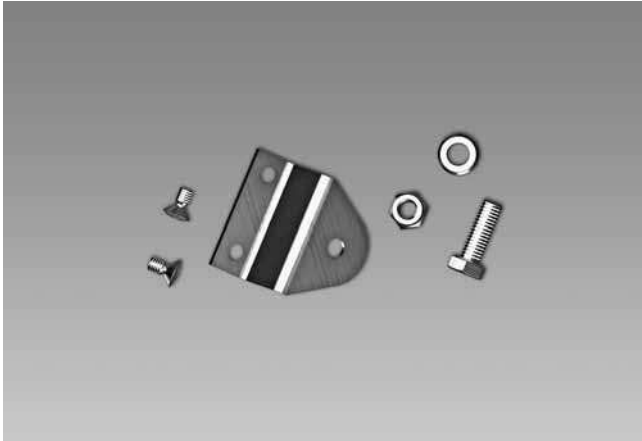


Accessories

Mounting accessories

11071850



Description

Support plate mounting-set R63 to fix a torque arm size M6 at the encoder.

Part number

11071850 Support plate mounting-set R63 for torque arm size M6

Scope of delivery

1x support plate R63 mm
2x raised countersunk-head screw M4x8, ISO 7047
1x hexagon screw M6x18, ISO 4017 (A2)
1x self-locking nut M6, ISO 10511 (A2)
1x washer A6.4, ISO 7090

Suitable for

HOG 86, HOG 86 L, HOG 86 M

Dimensions

