

# Accessories

## Mounting accessories

### Mounting kit 092



#### Features

- For low-dynamic applications and constant movements

#### Description

Torque support onto encoder by help of the attached screws. Push encoder onto the drive shaft and mount torque support onto the client side.

#### Part number

11069239 Mounting kit 092

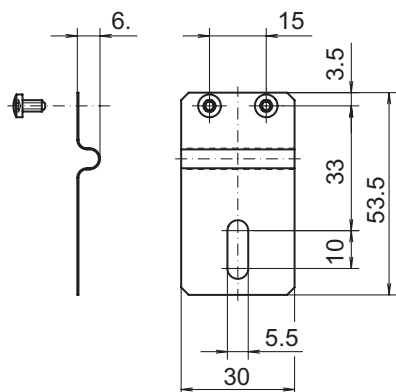
#### Scope of delivery

Included:  
torque support, two screws M3 x 6 (DIN 7985 - TX10)

#### Suitable for

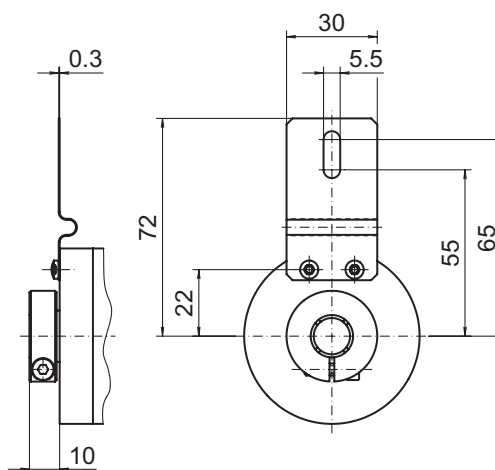
ATD2AH00, ITD21H00, ITD22H00, ITD2PH00

#### Dimensions



Z00539

#### Dimension



Z00539