

Accessories

Mounting accessories

Mounting kit 006



Features

- For low-dynamic applications and constant movements

Description

Torque support onto encoder by help of the attached screws. Push encoder onto the drive shaft and mount torque support onto the client side.

Part number

11066083 Mounting kit 006

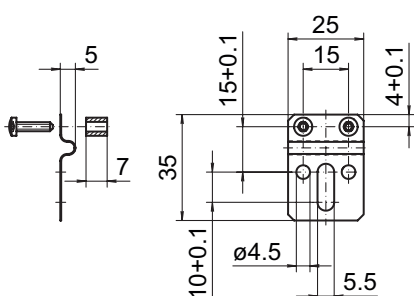
Scope of delivery

Included:
torque support, two screws M3 x 12 (DIN 7985 - TX10) with two spacers 7 mm

Suitable for

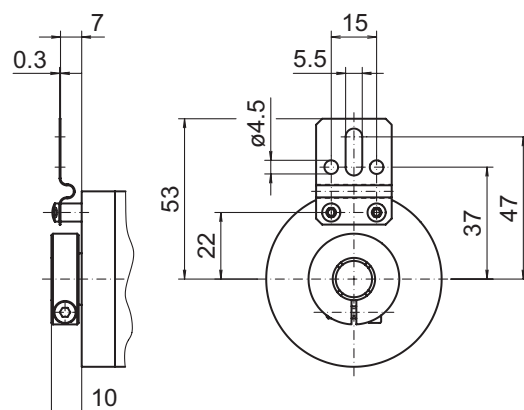
ATD2AH00, ITD21H00, ITD22H00, ITD2PH00

Dimensions



Z00399

Dimension



Z00399