

Sine encoders

Shaft with EURO flange B10

Resolution 720...5000 pulses

POGS 90



POGS 90

Technical data - electrical ratings

Voltage supply	5 VDC \pm 10 % 9...30 VDC
Consumption w/o load	\leq 90 mA
Resolution (steps/turn)	720...5000
Phase shift	90°
Reference signal	Zero pulse, width 90°
Sensing method	Optical
Output signals	K1, K2, K0 + inverted
Output circuit	Sine/cosine 1 Vpp
Interference immunity	DIN EN 61000-6-2
Emitted interference	DIN EN 61000-6-4
Approval	UL approval / E256710
Offset sine/cosine amplitude	\leq 20 mV
Harmonics share approx.	-50 dB
Spectrum	250 kHz (-3 dB)
Overlying constant share	\leq 20 mV

Features

- Encoder with shaft \varnothing 11 mm
- Resolution max. 5000 ppr
- Low harmonic content (patented LowHarmonics technology)
- Sine output signals 1 Vpp
- Big terminal box, turn by 180°
- EURO flange B10
- Compact, robust die-cast housing

Optional

- Second shaft end

Technical data - mechanical design

Dimensions (flange)	\varnothing 105 mm
Shaft	\varnothing 11 mm
Shaft loading	\leq 250 N axial \leq 350 N radial
Flange	EURO flange B10
Protection DIN EN 60529	IP 66
Operating speed	\leq 10000 rpm (mechanical)
Operating torque typ.	2 Ncm
Rotor moment of inertia	320 gcm ²
Materials	Housing: aluminium die-cast alloy and stainless steel Shaft: stainless steel
Operating temperature	-20...+85 °C
Resistance	IEC 60068-2-6 Vibration 10 g, 10-2000 Hz IEC 60068-2-27 Shock 100 g, 11 ms
Explosion protection	II3G Ex nA IIC T4 Gc (gas) II3D Ex tc IIIC T135°C Dc (dust)
Connection	Terminal box
Weight approx.	1.5 kg

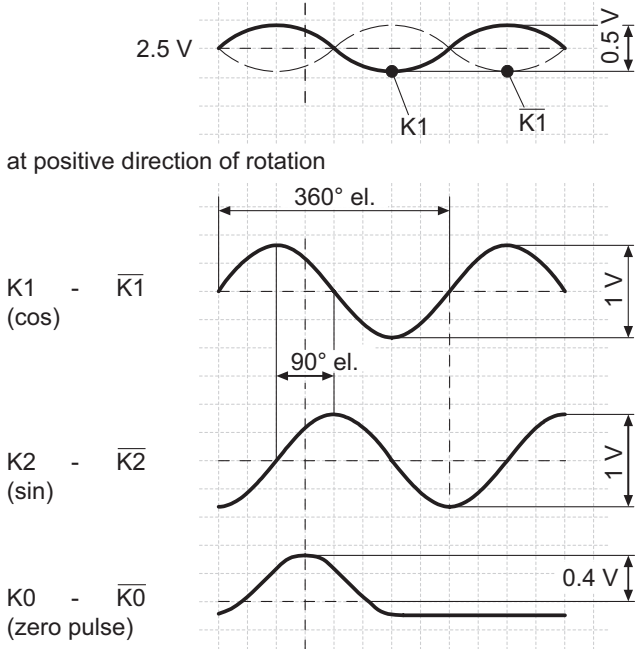
Sine encoders

Shaft with EURO flange B10

Resolution 720...5000 pulses

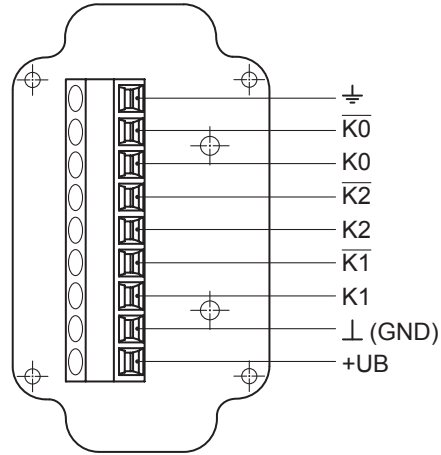
POGS 90

Output signals

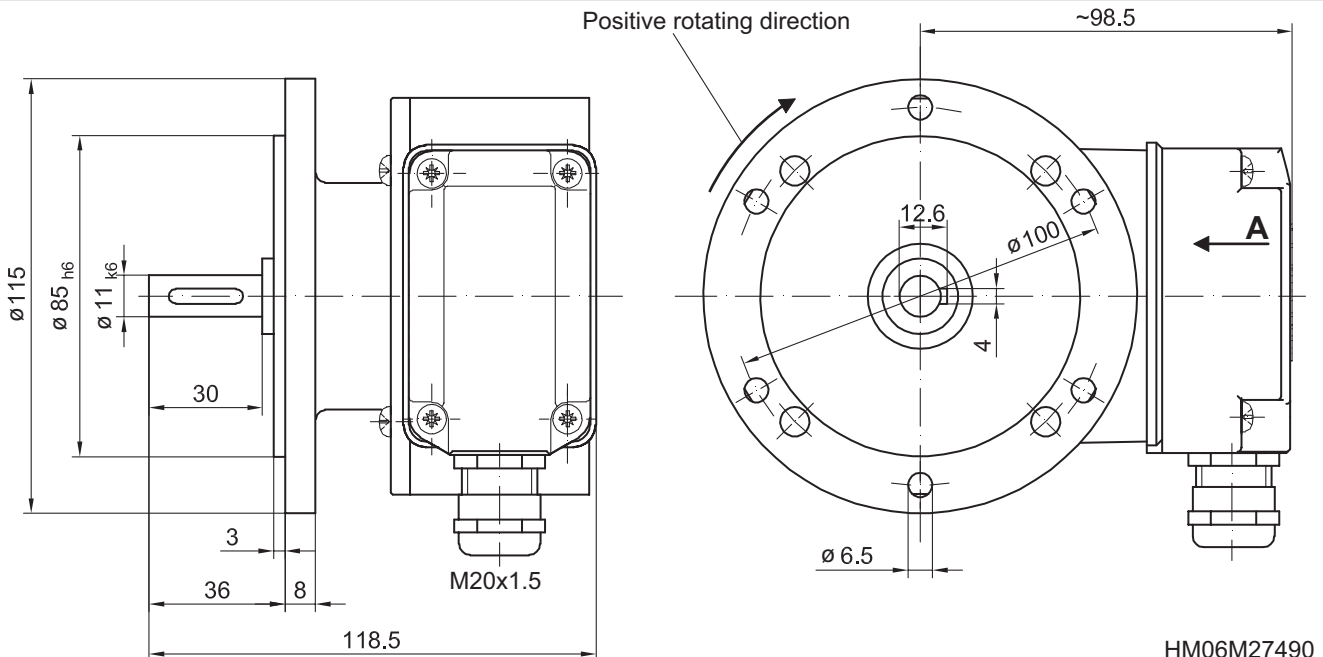


Terminal assignment

View A - Connecting terminal in terminal box



Dimensions



Sine encoders
Shaft with EURO flange B10
Resolution 720...5000 pulses

POGS 90
