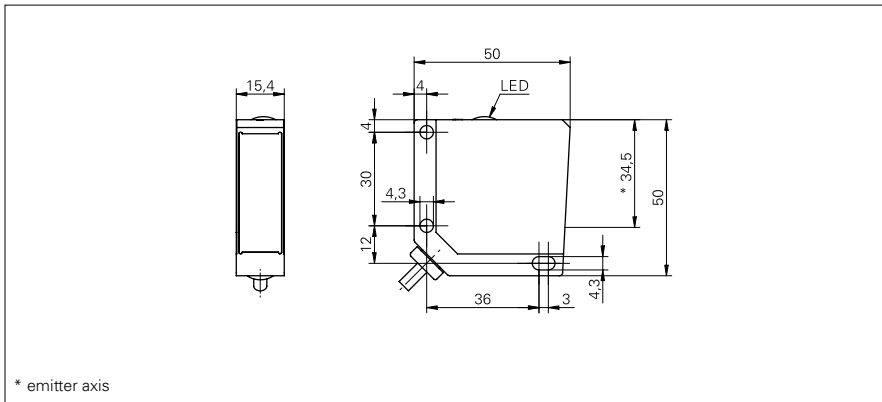


## Diffuse sensors with background suppression

OHDM 16N5651

### dimension drawing



### general data

type	background suppression
version	wafer mapping sensor
light source	pulsed red laser diode
sensing distance Tw	123 ... 143 mm
repeat accuracy	< 0,1 mm at laser focus
power on indication	LED green
output indicator	LED yellow
sensing distance adjustment	no
laser class	2
wave length	650 nm
suppression of reciprocal influence	yes

### electrical data

response time / release time	< 5 ms
voltage supply range +Vs	10 ... 30 VDC
current consumption max. (no load)	35 mA
current consumption typ.	25 mA
voltage drop Vd	< 2 VDC
output function	light / dark operate
output circuit	NPN
output current	< 200 mA
short circuit protection	yes
reverse polarity protection	yes

### mechanical data

width / diameter	15,4 mm
height / length	50 mm
depth	50 mm
type	rectangular
housing material	die-cast zinc
front (optics)	glass
connection types	cable 5 pin, 2 m

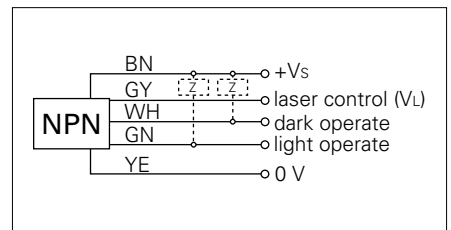
### ambient conditions

operating temperature	-5 ... +50 °C
protection class	IP 67

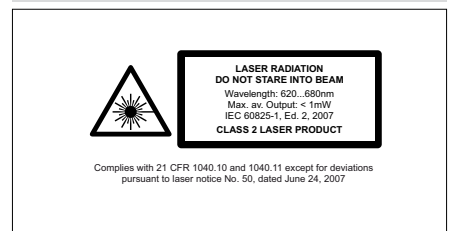
### photo



### connection diagram



### laser warning



- laser control input:
- laser on VL ≤ 1 VDC
- laser off VL ≥ +Vs - 4 VDC or disconnected