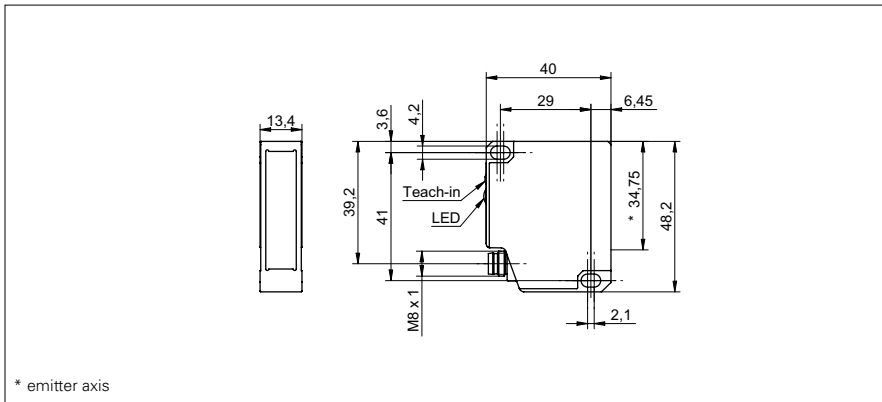


# Diffuse sensors with background suppression

## OHDM 13P6951/S35A

### dimension drawing



### general data

type	background suppression
light source	pulsed red laser diode
sensing distance Tw	50 ... 550 mm
sensing range Tb (at Tw max.)	50 ... 550 mm
sensing range Tb (at Tw min.)	16 ... 17 mm
power on indication	LED green
light indicator	LED red
sensing distance adjustment	Teach-in
laser class	2
wave length	650 nm
beam height	4 ... 13 mm
beam type	line
beam width	2 mm

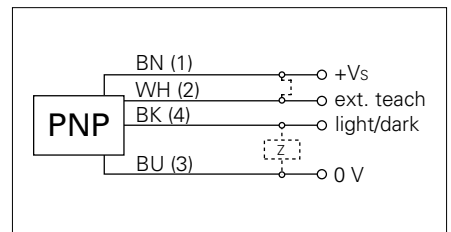
### photo



### electrical data

response time	< 5 ms
release time	< 15 ms
voltage supply range +Vs	12 ... 28 VDC
current consumption max. (no load)	80 mA
current consumption typ.	40 mA
voltage drop Vd	< 2,8 VDC
output function	light / dark operate
output circuit	PNP
output current	< 100 mA
short circuit protection	yes
reverse polarity protection	yes, Vs to GND

### connection diagram



### laser warning

**LASER RADIATION**  
**DO NOT STARE INTO BEAM**  
Wavelength: 620 ... 680nm  
Max. av. Output: < 1mW  
IEC 60825-1, Ed. 2, 2007  
**CLASS 2 LASER PRODUCT**

Complies with 21 CFR 1040.10 and 1040.11 except for deviations pursuant to laser notice No. 50, dated June 24, 2007

### mechanical data

width / diameter	13,4 mm
height / length	48,2 mm
depth	40 mm
type	rectangular
housing material	aluminum
front (optics)	glass
connection types	connector M8 4 pin

## Diffuse sensors with background suppression

## OHDM 13P6951/S35A

### ambient conditions

operating temperature	0 ... +50 °C
protection class	IP 67