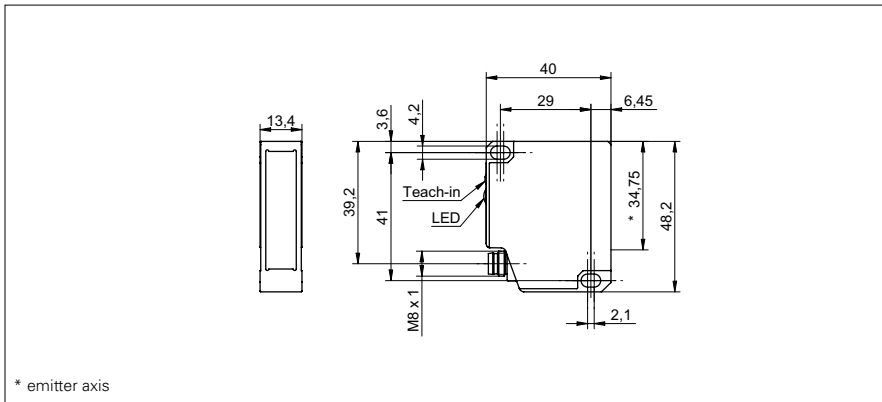


Diffuse sensors with background suppression

OHDM 13N6951/S35A

dimension drawing



general data

| | |
|-------------------------------------|------------------------|
| type | background suppression |
| light source | pulsed red laser diode |
| sensing distance T_w | 50 ... 550 mm |
| sensing range T_b (at T_w max.) | 50 ... 550 mm |
| sensing range T_b (at T_w min.) | 16 ... 17 mm |
| power on indication | LED green |
| light indicator | LED red |
| sensing distance adjustment | Teach-in |
| laser class | 2 |
| wave length | 650 nm |
| beam height | 4 ... 13 mm |
| beam type | line |
| beam width | 2 mm |

electrical data

| | |
|------------------------------------|----------------------|
| response time | < 5 ms |
| release time | < 15 ms |
| voltage supply range +Vs | 12 ... 28 VDC |
| current consumption max. (no load) | 80 mA |
| current consumption typ. | 40 mA |
| voltage drop V_d | < 2,8 VDC |
| output function | light / dark operate |
| output circuit | NPN |
| output current | < 100 mA |
| short circuit protection | yes |
| reverse polarity protection | yes, Vs to GND |

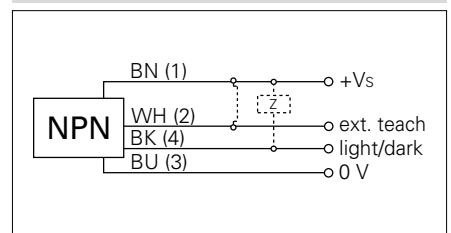
mechanical data

| | |
|------------------|--------------------|
| width / diameter | 13,4 mm |
| height / length | 48,2 mm |
| depth | 40 mm |
| type | rectangular |
| housing material | aluminum |
| front (optics) | glass |
| connection types | connector M8 4 pin |

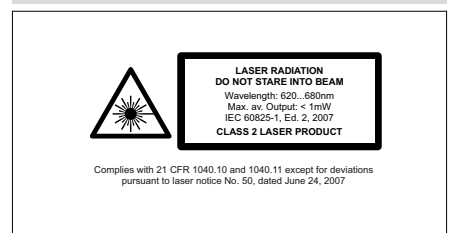
photo



connection diagram



laser warning



Diffuse sensors with background suppression

OHDM 13N6951/S35A

ambient conditions

| | |
|-----------------------|--------------|
| operating temperature | 0 ... +50 °C |
| protection class | IP 67 |