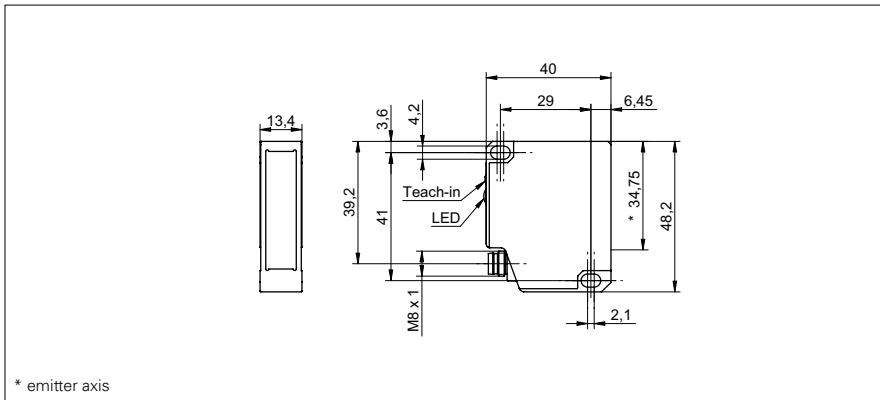


## Diffuse sensors with background suppression

## OHDM 13N6901/S35A

### dimension drawing



### general data

type	background suppression
light source	pulsed red laser diode
sensing distance $T_w$	50 ... 550 mm
sensing range $T_b$ (at $T_w$ max.)	50 ... 550 mm
sensing range $T_b$ (at $T_w$ min.)	16 ... 17 mm
power on indication	LED green
light indicator	LED red
sensing distance adjustment	Teach-in
laser class	2
wave length	675 nm
beam diameter	1 mm
beam type	point

### electrical data

response time	< 5 ms
release time	< 15 ms
voltage supply range +Vs	12 ... 28 VDC
current consumption max. (no load)	80 mA
current consumption typ.	40 mA
voltage drop $V_d$	< 2,8 VDC
output function	light / dark operate
output circuit	NPN
output current	< 100 mA
short circuit protection	yes
reverse polarity protection	yes, Vs to GND

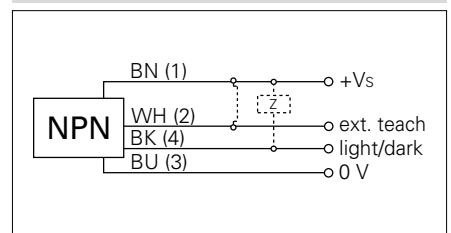
### mechanical data

width / diameter	13,4 mm
height / length	48,2 mm
depth	40 mm
type	rectangular
housing material	aluminum
front (optics)	glass
connection types	connector M8 4 pin

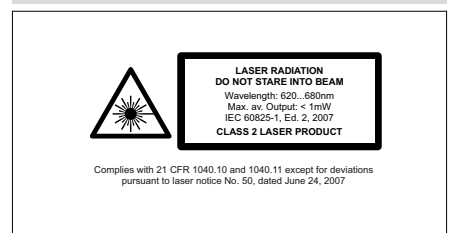
### photo



### connection diagram



### laser warning



## Diffuse sensors with background suppression

## OHDM 13N6901/S35A

### ambient conditions

operating temperature	0 ... +50 °C
protection class	IP 67