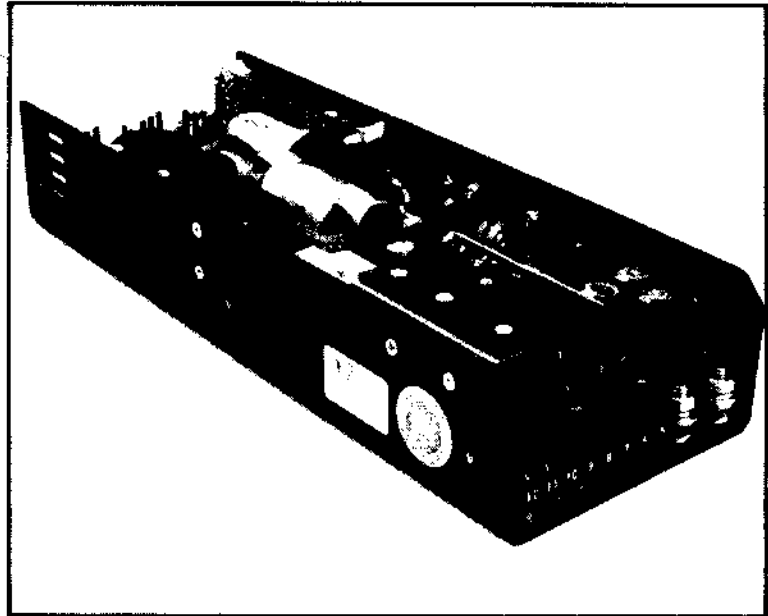


QX6 Series

Multiple Output Switching
Power Supplies

Features

- UL Recognized to UL 1012 and 478 ‡
- CSA Certified to C 22.2 No. 220 - M1986 and EB1402 ‡
- TUV Licensed to IEC 380 and VDE 0806 Class 1 SELV ‡
- Fully compliant with FCC and VDE (Level A) standards for EMI
- 90-132/180-264 VAC, 47-63 Hz
- Accommodates high-peak disk drive requirements
- All outputs fully regulated
- 0° - 50° C operating ambient
- AC input safety provisions:
 - input transient voltage limited
 - input surge current limited
 - brown out protected
 - jumper relocation for VAC range selection
- DC output safety provisions:
 - complete overload protection
 - overvoltage protected
 - reverse voltage protected
 - low noise outputs
- Remote/internal sensing for Output 1
- Output 1 provided via ¼" studs or terminal block



275/325 Watts Up to 5 Outputs

Available Outputs

Standard Output Voltage Combination	Output 1*			Output 2			Output 3			Output 4			Output 5		
	Volts	Rated Amps	Peak Amps	Volts	Rated Amps	Peak Amps	Volts	Rated Amps	Peak Amps	Volts	Rated Amps	Peak Amps	Volts	Rated Amps	Peak Amps
A	5	50	60	+12	5	—	-12	3.0	—	Aux Rtn	—	—	+12	6	8
B	5	50	60	+12	5	—	-12	3.0	—	- 5	1	—	+12	6	8
C	5	50	60	+12	5	—	- 5	3.0	—	Aux Rtn	—	—	+12	6	8
D	5	50	60	+12	5	—	- 5	3.0	—	-12	1	—	+12	6	8
E	5	30	40	+12	5	—	-12	3.0	—	Aux Rtn	—	—	+24	6	8
F	5	30	40	+12	5	—	-12	3.0	—	- 5	1	—	+24	6	8
G	5	30	40	+12	5	—	- 5	3.0	—	Aux Rtn	—	—	+24	6	8
H	5	30	40	+12	5	—	- 5	3.0	—	-12	1	—	+24	6	8
I	5	30	40	+12	5	—	-12	3.0	—	Aux Rtn	—	—	+12	10	12
J	5	30	40	+12	5	—	-12	3.0	—	- 5	1	—	+12	10	12
K	5	30	40	+12	5	—	- 5	3.0	—	Aux Rtn	—	—	+12	10	12
L	5	30	40	+12	5	—	- 5	3.0	—	-12	1	—	+12	10	12
M	5	30	40	+24	6	8	-12	3.0	—	Aux Rtn	—	—	+24	6	8

*Output studs required if current >40 Amp

- Available options include:
 - remote on/off control
 - power fail (good) signal
 - thermal shutdown
 - EMI/safety cover

Total (sum) of rated DC output: power, maximum:
 Convection cooling only 275 Watts
 Forced-air cooling (25 CFM) 325 Watts

- Other output combinations are also available; consult factory
- Output 1 has separate return, all other outputs share a common auxiliary return
- Output 5 at +24 can be provided as a quasi-regulated version for increased output power and decreased cost
- Combination M commons Output 1 return with all other output returns
- Output studs recommended for Output 1 rated currents >30A

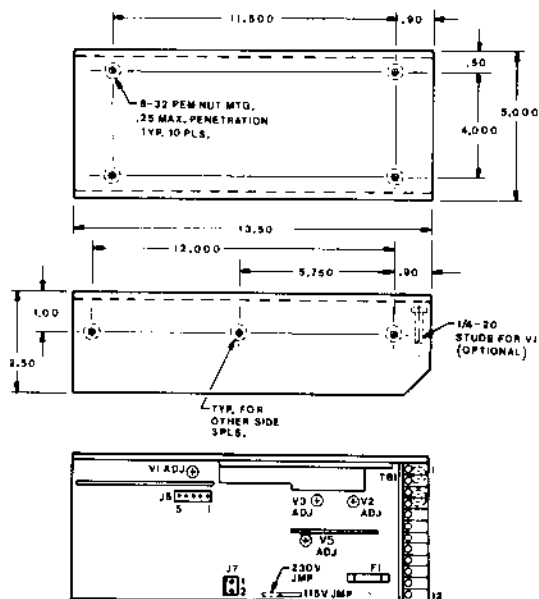
‡Most models, consult factory



2841 Dow Ave., Tustin, CA 92680-7211 • (714) 544-6665 • FAX (714) 838-4742 • TWX (714) 510-101-0493

QX6 Series

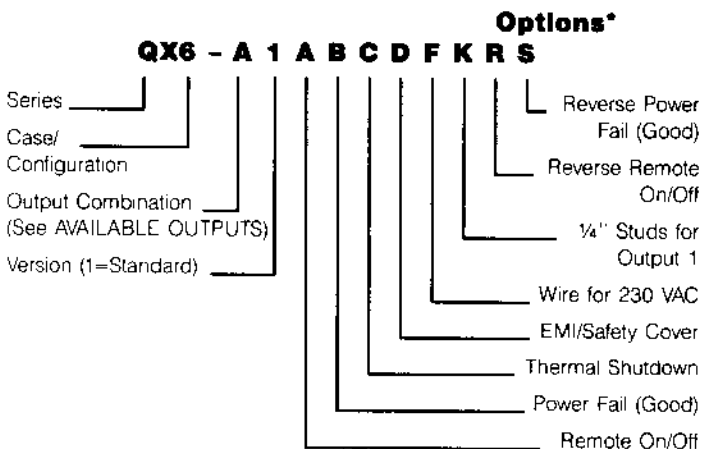
Outline/Mounting/Interface



Terminal Block (TB1)

- | | |
|------------------------------|----------------------|
| 1 Output 1 (+) | 7 Output 2-4 Aux Rtn |
| 2 Output 1 (+) | 8 Output 3 (-) |
| 3 Output 1 Rtn | 9 Output 5 |
| 4 Output 1 Rtn | 10 Safety Ground |
| 5 Output 2 (+) | 11 AC Input (ACC) |
| 6 Output 4 (+, - or Aux Rtn) | 12 AC Input (AC) |
- Output 1 and its return can be provided as 1/4" studs (Option K)

Ordering Information



*List all options selected

All Power Supplies are warranted to be free of defects in materials and workmanship for a period of one year.

Control Connector (J5)

- (AMP MTA, #640456-5)
- 1 Output 1 Sense (+)
 - 2 Output 1 Sense (-)
 - 3 Thermal Shutdown
 - 4 Power Fail (Good)
 - 5 Remote On/Off

Fan Drive Connector (J7)

- (AMP MTA, #640445-4)
- 1 115 VAC
 - 2 115 VAC Rtn

Specifications

AC Input	Nominal 115/230 VAC, 47-63Hz Range 90-132/180-264 VAC; jumper plug selectable	Hold-up Time	20 ms after loss of nominal AC Input, for specified load regulation
DC Outputs	Nominal: See AVAILABLE OUTPUTS table Range: ±5% adjustment, all outputs save Output 4, fixed ±5%	In-rush Surge	50A Pk. cold start
Regulation	Line: ±0.25%, all outputs, full AC Input range Load: ±0.25% Output 1, ±1% all other outputs, for Output 1 at 10-100% loading, all other outputs at 0-100% loading	Fusing (F-1)	6A/3A, 3AG for 115/230 VAC
Ripple/Noise	Sum: 1% Pk-Pk, all outputs	Remote Sense	For Output 1 only
Overshoot & Undershoot	Deviation ±2% for 25% load change at 5A/usec Response: 200 usec to 1% deviation, all outputs, turn-on or turn-off	Remote On/Off*	Turn on: open circuit or TTL "hi" Turn off: short to Output 1 return, or TTL "lo"
Temperature Coefficient	±0.02% / °C, all outputs	Power Fail (Good)*	Power applied: Output "lo" until all outputs are in regulation Power lost: After one cycle ride-through (16 msec minimum) output goes "lo" 4 msec minimum before loss of regulation
Temperature Range	Operation: 0° to 50°C at rated output power; derate linearly to 50% power at 70°C Storage: -55°C to 85°C	Thermal Shutdown*	Heat-sink-mounted thermal switch shorting to Output 1 Return initially causes "lo" "power fail"; then, after 4 msec delay, acts equivalently to overvoltage shutdown
Efficiency	75% typical	Fan Drive*	115 VAC fan output (11W)
Overload Protection	Output 1, current limited by primary current level Outputs 2 through 5: current limited by post regulator characteristics	Shock/Vibration	Per MIL-STD-810C Vibration: Method 514.2 Procedures X, X1 Shock: Method 516.2, Procedures I, III Shock (Transit): Method 516.2, Procedure II
Overvoltage Protection	Output 1: output level > 6.25V ±5% causes shutdown (AC input cycle for restart) Other Outputs: post regulators have preregulated inputs.	Weight	4 lbs., 13 oz.

Specifications are subject to change without notice.

CHEROKEE INTERNATIONAL, INC.

2841 Dow Ave., Tustin, CA 92680-7211
(714) 544-6665 • FAX (714) 838-4742
TWX 510-101-0493