

Product Features:

- 150 Watt Modular Power Supply
- Low Profile for 1U High Applications
- Meets VDE/FCC Class "B" EMI
- Total Power Overload Limit Protection
- Over-Current Protection
- Power Fail Signal
- International Safety Certifications - UL, CSA, TUV & CE Mark (LVD)



FEATURES	BENEFITS	KEY MARKET SEGMENTS & APPLICATIONS	
PFC Compliant to EN61000-3-2	Supports global use of power supply	■ Automation Equipment	■ Industrial Applications
Low Profile	Reduced Height for 1U High Applications	■ Gaming Application	■ Computer Peripherals
Economical	Lowered system costs	■ Point of Sale Equipment	■ Test Equipment
Flexibility with options	Custom capability without NRE & long lead-times	■ Networking / Datacom	

SPECIFICATIONS	QT24 Series of 150 Watt Switching Power Supply with 1-4 Outputs
Input Voltage Range	Jumper Selectable Input (85-264VAC; 47-63Hz)
Inrush Current (Cold Start)	35A @ 115VAC typical
Input Current	2.25A max. at 90 VAC
Input Protection	Single fuse (4.0A / 250VAC / 5MF Type)
EMI	FCC and VDE Level "B" (Conducted)
Efficiency	75% typical @ 115 VAC (measured at full load)
Maximum Output Power	150 Watts Continuous
Total Power Over-Load Limit	Set at 200W typical of multiple output models
Voltage Adjustment Range	+/-5% of V1 only, all others track V1 adjustment
Regulation	Single Output models +/-2%, Multiple output models are +/-5% of V1 / V3 / V4, V2 is +/-10% max
Transient Repsonse	Peak Deviation of +/-2% with 25% step load change at 5A/ms slew rate
Output Ripple & Noise	1% pk-pk maximum @ 20MHz
Over Voltage Protection	Trip point set at 115 - 125% of V1 only. To reset, cycle input power
Over Current Limit	Single Output Models only, 160-260% of Iout nominal, Hiccup Mode (see Over Power Limit for multiple output models)
Hold-Up Time	16ms min at 115 VAC / 60Hz Input and 150 Watt Output Operation
Operating Temperature	Full load from 0 to 50°C. Derates linearly from 50°C to 70°C at 2.5% per °C, 25 CFM Required for Full Power, 100W Convection Cooled
Power Fail Signal	TTL Compatible, Output LOW until outputs are in regulation. Set at 85-90VAC at 150W. Open Collector.
Shock & Vibration	Per MIL STD-810E per 516.4 Part IV
Dimensions	6.80 x 3.80 x 1.50 / 172.7 x 96.5 x 38.1mm
Safety Approvals	UL 1950, CSA 22.2 No. 950 & 234, TUV (EN60950), CE Mark & CB Report

OUTPUT CONFIGURATIONS								
MODEL NUMBER	V1 OUTPUT		V2 Output		V3 Output		V4 Output	
	Vout	Amps	Vout	Amps	Vout	Amps	Vout	Amps
QT24A1	+5	15	-5	1	-12	1	+12	5
QT24C1	+5	15	-5	1	-15	1	+15	4
QT24D1	+5	15			12	1	+12	6
QT24E1	+5	15					+12	6
QT24F1	5	30						
QT24G1	12	12						
QT24H1	15	10						
QT24I1	24	7						

Specifications listed assume 25°C Ambient Operating Temperature and Full Load Operation unless otherwise specified. This product is qualified for use in OEM equipment and is not appropriate for stand-alone operation. The information contained within this specification is believed to be true and correct at the time of publication, however, Cherokee International accepts no responsibility for consequences arising from printing errors or inaccuracies. The information and specifications contained herein are subject to change without notice.

Cherokee International (North America)

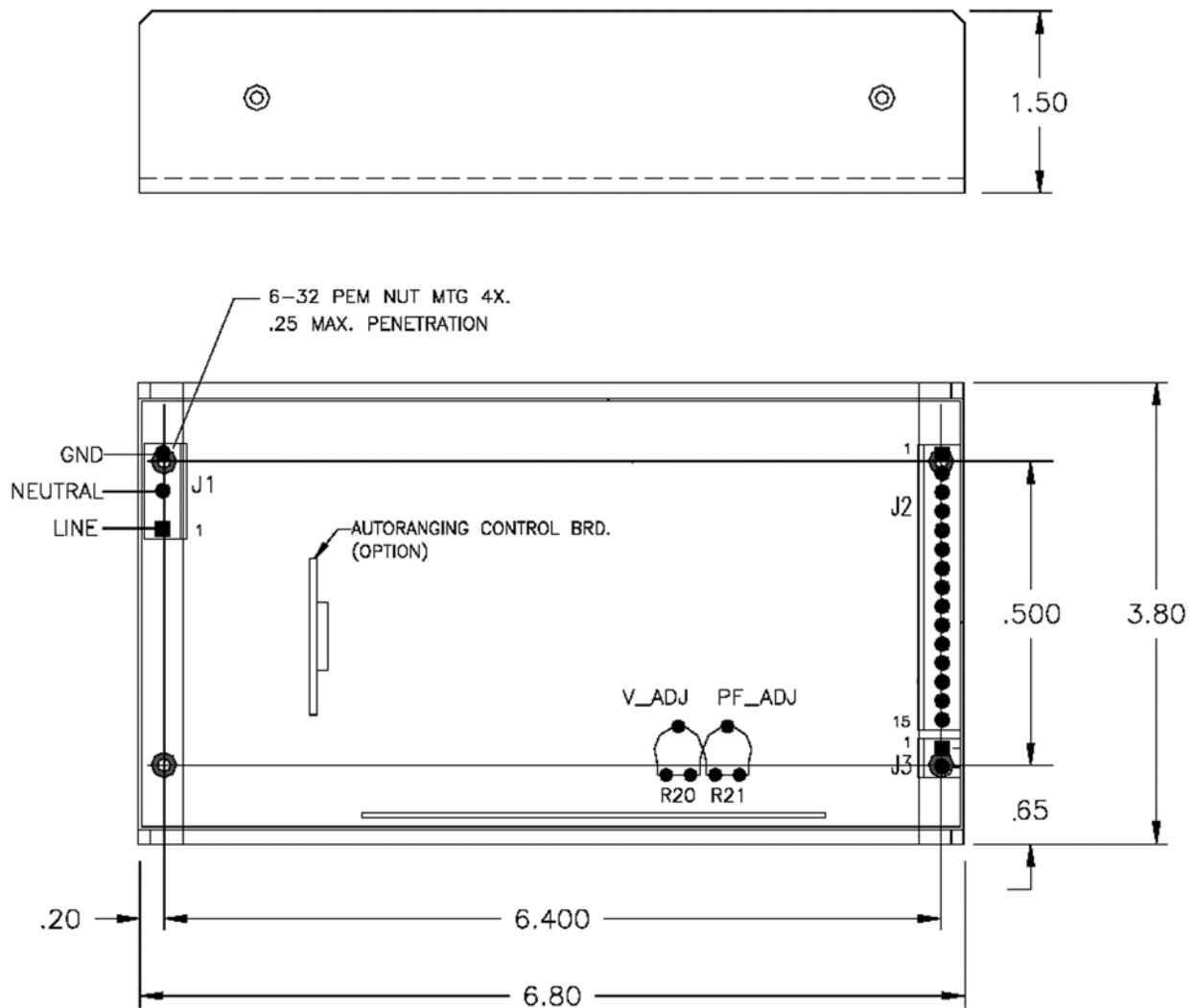
2841 Dow Avenue P: (714) 544-6665
Tustin, CA 92780 USA F: (714) 838-4742
sales@cherokeepwr.com

Cherokee International (Europe)

Boulevard de l'Europe, 131 P: +32.10.438.510
B-1301 Wavre, Belgium F: +32.10.438.213
sales.europe@cherokeepwr.com

Cherokee International (China) Power Supply Ltd.

1353 Chenqiao Road, Shanghai Sengpu Industrial Park
Shanghai, 201401 China P: 021 6710 8910
sales.china@cherokeepwr.com

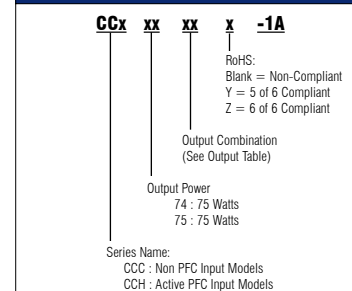
OUTLINE DRAWING


PIN ASSIGNMENTS					
PIN	FUNCTION	PIN	FUNCTION	PIN	FUNCTION
J1-1	AC LINE	J2-5	RTN	J2-12	-V3
J1-3	AC NEUTRAL	J2-6	RTN	J2-13	+V4
J1-5	GROUND	J2-7	RTN	J2-14	+V4
J2-1	+V1	J2-8	RTN	J2-15	+V4
J2-2	+V1	J2-9	RTN	J3-1	PFAIL RTN
J2-3	+V1	J2-10	RTN	J3-2	PFAIL
J2-4	+V1	J2-11	-V2		

J1 Connector is AMP Part # 640445-5 or Panduit Part # HLSS-156-5
Mates with AMP Part # 640426-5 or Panduit Part # CE 156F20-5

J2 Connector is AMP Part # 1-640445-5 or Molex Part # 09-74-1151 or Panduit HLSS-156-15
Mates with Amp Part # 1-640426-5 or Molex Part # 09-50-3151 or Panduit CE 156F20-5

J3 Connector is AMP Part #640456-2 or Panduit Part # HLSS-100-2
Mates with AMP Part # 640440-2 or Panduit Part # CE 100F22-2-D

PART NUMBER DEFINITION GUIDE:

Example:

CCH75F1-1A: 12V Single Output with Active PFC, Non-Compliant RoHS
CCC74B3Y-1A: +3.3/+5.1/12V Triple Output (No PFC), 5 of 6 RoHS
CCH75K3Z-1A: +5.1/+12/-12V Triple Output with Active PFC, 6 of 6 RoHS