

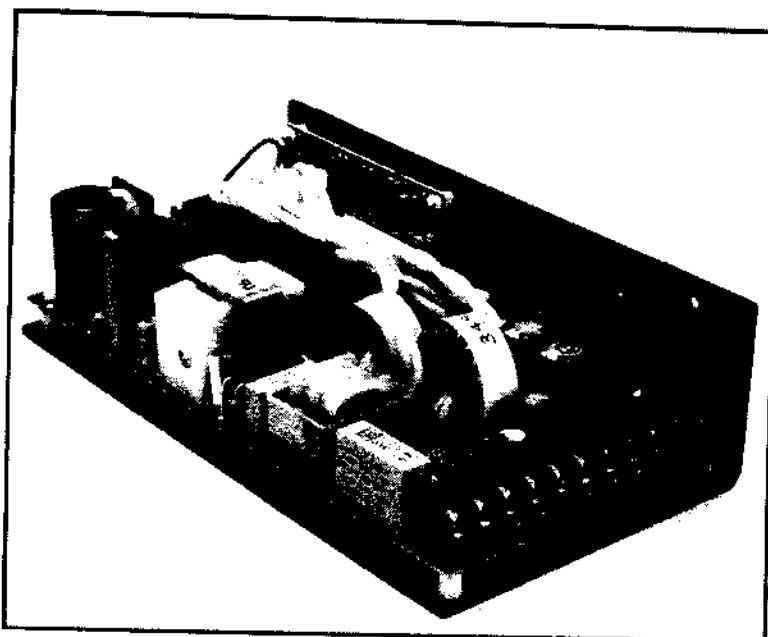
PRODUCT SPECIFICATION

QT12 Series

*Multiple Output Switching
Power Supplies*

Features

- UL Recognized to UL 1012 and 478 ‡
- CSA Certified to C 22.2 No. 220 - M1986 and EB1402 ‡
- TUV Licensed to IEC 380 and VDE 0806 Class 1 SELV ‡
- Fully compliant with FCC and VDE (Level A) standards for EMI
- Accommodates high-peak disk drive requirements
- 0° - 50° C operating ambient with convection cooling only
- AC input provisions:
 - 90-132/180-264 VAC, 47-63Hz
 - jumper relocation for VAC range selection
 - input surge current limited
 - brown out protected
- DC output provisions:
 - complete overload protected
 - overvoltage protected
 - reverse voltage protected
 - low noise outputs



125/150 Watts Up to 3 Outputs

Available Outputs

Standard Output Voltage Combination	Output 1			Output 2			Output 3		
	Volts	Rated Amps	Peak Amps	Volts	Rated Amps	Peak Amps	Volts	Rated Amps	Peak Amps
A	+5	20.0	25.0	+12	6.0	10.0	-12	1.0	1.5
B	+5	20.0	25.0	+12	6.0	10.0	-5	0.5	1.0
C	+5	20.0	25.0	+15	6.0	10.0	-15	1.0	1.5
D	+5	20.0	25.0	+24	4.0	5.0	-24	1.0	1.5
E	+5	25.0	30.0	—	—	—	—	—	—
F	+5	20.0	25.0	+12	6.0	10.0	—	—	—
I	+5	10.0	15.0	+24	6.0	8.0	—	—	—

Total (sum) of rated DC output power, maximum.
 Convection cooling only 125 Watts
 Forced-air cooling (25 CFM) 150 Watts
 Peak power (10 sec) 150 Watts

- Other output combinations are also available; consult factory
- All outputs share a common return, consult factory for alternatives.

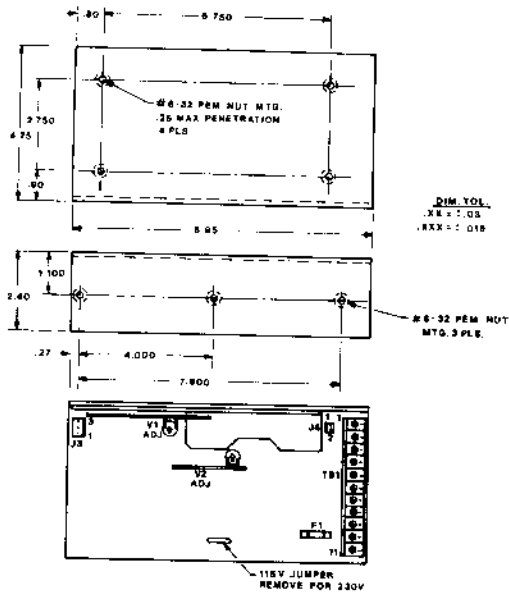
‡Most models, consult factory



2841 Dow Ave., Tustin, CA 92680-7211 • (714) 544-6665 • FAX (714) 838-4742 • TWX (714) 510-101-0493

QT12 Series

Outline/Mounting/Interface

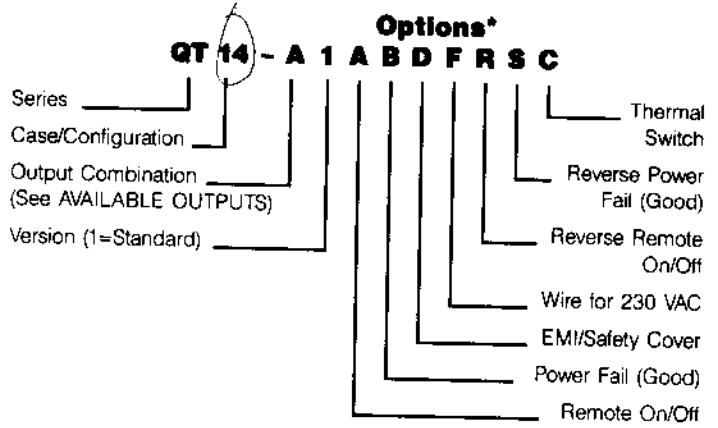


Terminal Block (TB1)

- | | |
|--------------------|------------------------------------|
| 1 Output 1 (+) | 7 Output 3 (-) |
| 2 Output 1 (+) | 8 Output 2 Quasi Reg. (with W2 in) |
| 3 Output 1 RTN | 9 Safety Ground |
| 4 Output 1 RTN | 10 AC Input (ACC) |
| 5 Output 2 (+) | 11 AC Input (AC) |
| 6 Output 2 & 3 RTN | |

All RTN's commoned

Ordering Information



*List all options selected

All Power Supplies are warranted to be free of defects in materials and workmanship for a period of one year.

Control Connector (J3)

- (AMP MTA, 156 ctr)
 1 Remote On/Off
 2 RTN
 3 Power Fail

Control Connector (J4)

- (AMP MTA, 100 ctr)
 1 Remote sense RTN
 2 Remote sense

Specifications

AC Input	Nominal: 115/230 VAC, 47-63Hz Range: 90-132/180-264 VAC; jumper selectable
DC Outputs	Nominal: See AVAILABLE OUTPUTS table Range: Outputs 1 and 2 adjustable $\pm 5\%$; Output 3 fixed $\pm 5\%$
Regulation	Line: $\pm 0.25\%$, all outputs, full AC Input range Load: $\pm 0.25\%$ for Outputs 1 and 2, $\pm 1\%$ for Output 3 for $\geq 10\%$ loading of Output 1 and zero to full loading of other Outputs
Ripple/Noise	Sum: 1% Pk-Pk, all outputs
Overshoot & Undershoot	Deviation: 2% for 25% load change at 5A/usec Response: 200 usec to 1% deviation, all outputs, turn-on or turn-off
Temperature Coefficient	$\pm 0.02\%/^{\circ}\text{C}$, all outputs
Temperature Range	Operation: 0° to 50°C at rated output power; derate linearly to 50% power at 70°C Storage: -55°C to 85°C
Efficiency	75% typical
Overload Protection	Output 1: current limited by primary current level Outputs 2 and 3: current limited by post regulator characteristics
Overvoltage Protection	Output 1: output level $> 6.25V \pm 5\%$ causes shutdown (AC input cycle for restart) Outputs 2 and 3: post regulators have quasi-regulated inputs.

Reverse Voltage Protection	100% of rated current outputs
Hold-up Time	20 ms after loss of nominal AC Input, for specified load regulation
In-rush Current	35A Pk. cold start
Fusing (F-1)	4A/2A, 5MF for 115/230 VAC
Remote Sense	For Output 1 only
Remote On/Off*	Turn on: open circuit or TTL "hi" Turn off: Short circuit or TTL "lo"
Power Fail (Good)*	Power applied: Output "lo" until all outputs are in regulation Power lost: After one cycle ride-through (16 msec minimum) output goes "lo" 4 msec minimum before loss of regulation Output 1 and 2 returns are commoned
Shock/Vibration	Per MIL-STD-810C Vibration: Method 514.2 Procedures X, X1 Shock: Method 516.2, Procedures I, III Shock (Transit): Method 516.2, Procedure II
Weight	2 lbs., 12 oz.

Specifications are subject to change without notice.

CHEROKEE INTERNATIONAL, INC.

2841 Dow Ave., Tustin, CA 92680-7211
 (714) 544-6665 • FAX (714) 838-4742
 TWX 510-101-0493