

CHEROKEE INTERNATIONAL, INC.

A SUBSIDIARY OF CORE INDUSTRIES

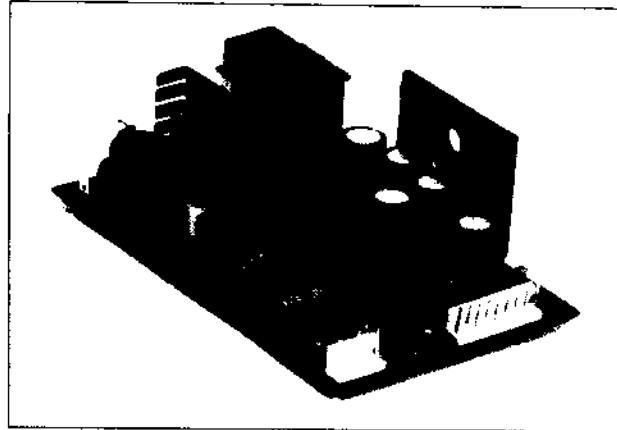
PRODUCT SPECIFICATION

QF5 Series

Single Output Switching Power Supplies

Features

- * UL Recognized to UL 1012, 478, 1950+
- * CSA Certified to C 22.2 N. 220 - M1986 and EB1402+
- * TUV Licensed to IEC 380 and VDE 0806 Class 1 SELV+
- * Fully compliant with FCC and VDE (Level A) standards for EMI
- * 0° - 70°C operating ambient



- * AC input provisions:
 - 90-132/180-264 VAC, 47-63HZ
 - jumper relocation for VAC range selection
 - input surge current limited
 - brown out protected
- * DC output provisions:
 - complete overload protected
 - overvoltage protected
 - reverse voltage protected
 - low noise outputs

75/100 Watts Single Output

Available Outputs

Standard Output Voltage Combination	Output 1		
	Volts	Rated Amps	Peak Amps
A	2	20	25
B	5	20	25
C	5.2	19	24
D	12	8.3	10
E	15	6.7	8.3
F	24	4.2	4.5
G	28	3.5	4.5
H	48	2	2.2

Total (sum) of rated DC output power, maximum:
Convection cooling only 75 Watts
Forced-air cooling (25 CFM) 100 Watts
Peak Power (10 sec) 125 Watts

- * Other output combinations are also available; consult factory
- + Most models; consult factory

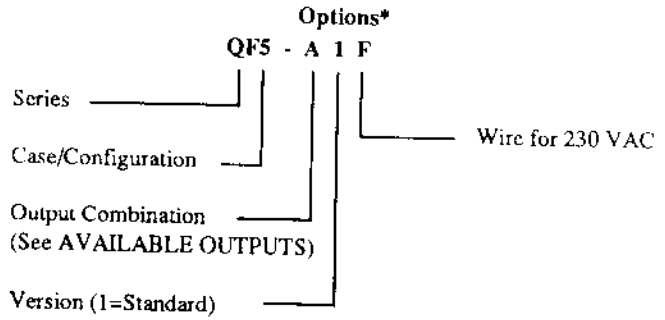
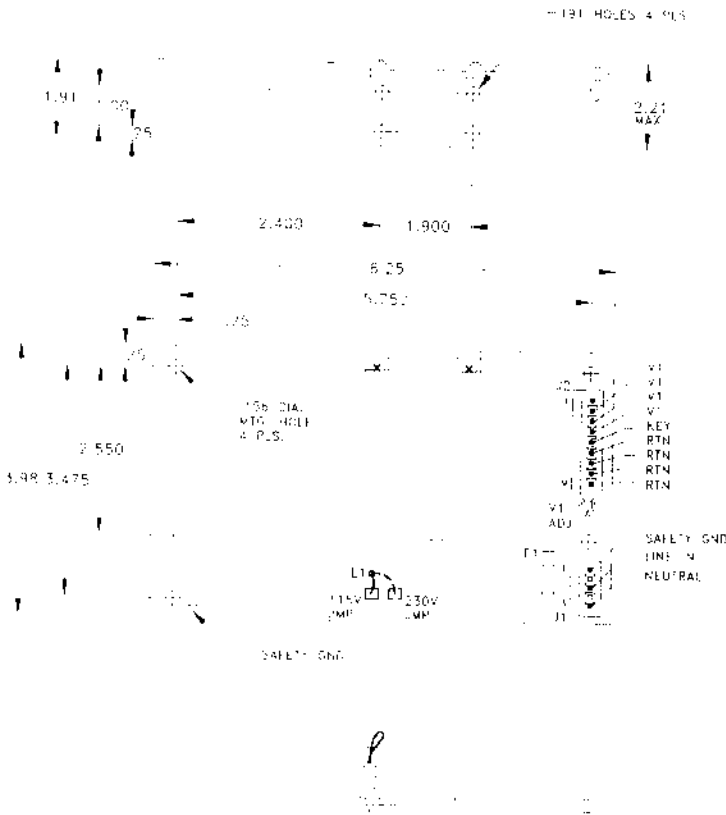


2841 Dow Ave., Tustin, CA 92680-7211 • (714) 544-6665 • FAX (714) 838-1742 • TWX (714) 510-101-0493

QF5 Series

Outline/Mounting/Interface

Ordering Information



* List all options selected

All Power Supplies are warranted to be free from defects in materials and workmanship for a period of one year.

Specifications

AC Input	Nominal: 115/230 VAC, 47-63Hz Range: 90-132/180-264 VAC; jumper selectable	Reverse Voltage Protection	100% of rated current outputs
DC Outputs	Nominal: See AVAILABLE OUTPUTS table Range: Adjustable +/- 5%	Hold-up Time	16 ms after loss of nominal AC Input, for specified load regulation
Regulation	Line: +/-0.5%, full AC input range Load: +/-1.0% at 10-100% loading	In-rush Current	16A Pk @115 VAC/35A Pk @230 VAC, Cold start.
Ripple/Noise	Sum: 1% Pk-Pk	Fusing (F-1)	4A/2A, 5MF for 115/230 VAC
Overshoot & Undershoot	Deviation: 2% for 25% load change at 5A/ usec Response: 200 usec to 1% deviation, turn-on or turn-off	Shock/Vibration	Per MIL-STD-810C Vibration: Method 514.2 Procedures X, X1 Shock: Method 516.2, Procedures I, III Shock (Transit): Method 516.2, Procedure II
Temperature Coefficient	+/-0.02%/°C	Weight	14 oz
Temperature Range	Operation: 0° to 50°C at rated output power derate linearly to 50% power at 70°C	Specifications are subject to change without notice.	
Efficiency	75% typical		
Overload Protection	Current limited by primary current		
Oversvoltage Protection	Output level exceeding 125% +/-5% causes shutdown		

CHEROKEE INTERNATIONAL INC.

2841 Dow Ave., Tustin, CA 92680-7211
(714) 544-6665 * FAX (714) 838-4742 * TWX 510-101-0493