



LM158, LM258, LM358

Low-power dual operational amplifiers

Datasheet – production data

Features

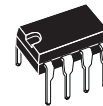
- Internally frequency-compensated
- Large DC voltage gain: 100 dB
- Wide bandwidth (unity gain): 1.1 MHz (temperature compensated)
- Very low supply current per operator essentially independent of supply voltage
- Low input bias current: 20 nA (temperature compensated)
- Low input offset voltage: 2 mV
- Low input offset current: 2 nA
- Input common-mode voltage range includes negative rails
- Differential input voltage range equal to the power supply voltage
- Large output voltage swing 0 V to ($V_{CC}^+ - 1.5$ V)

Description

These circuits consist of two independent, high-gain, internally frequency-compensated op-amps, specifically designed to operate from a single power supply over a wide range of voltages. The low-power supply drain is independent of the magnitude of the power supply voltage.

Application areas include transducer amplifiers, DC gain blocks and all the conventional op-amp circuits, which can now be more easily implemented in single power supply systems. For example, these circuits can be directly supplied with the standard +5 V, which is used in logic systems and will easily provide the required interface electronics with no additional power supply.

In linear mode, the input common-mode voltage range includes ground and the output voltage can also swing to ground, even though operated from only a single power supply voltage.



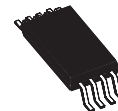
DIP8
(Plastic package)



SO-8 & MiniSO-8
(Plastic micropackage)

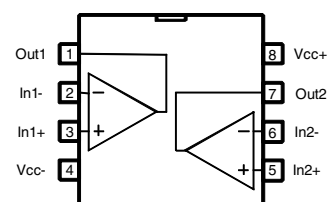


DFN8 2 x 2 mm
(Plastic micropackage)



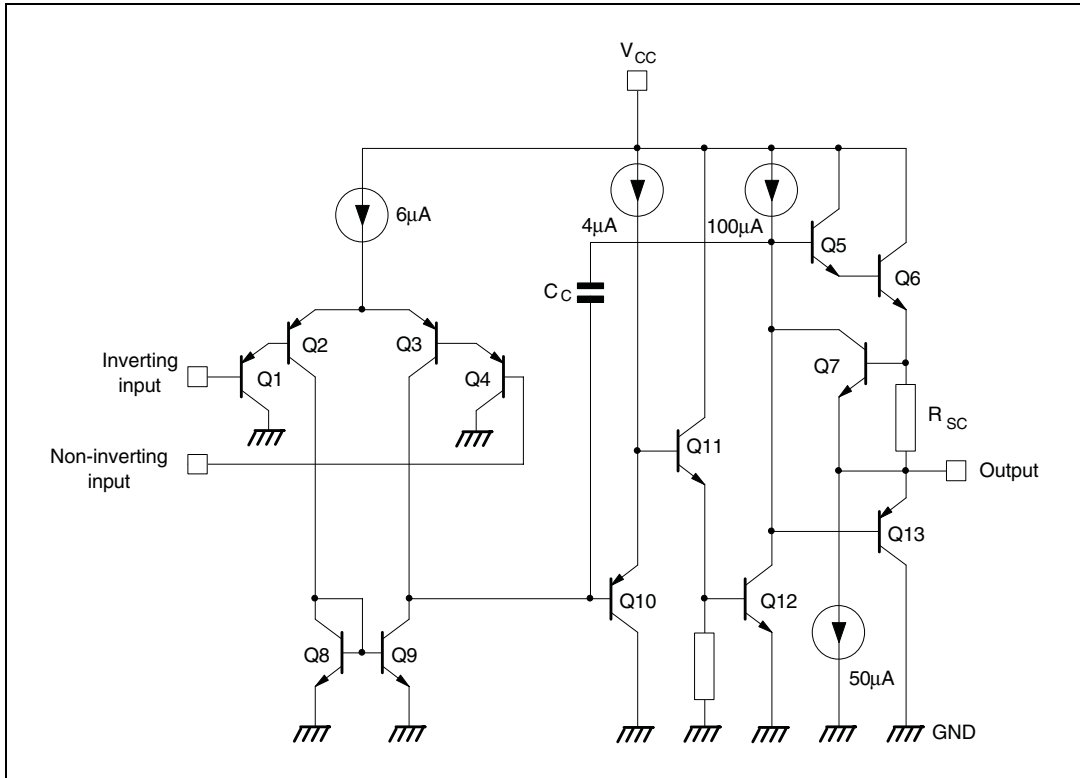
TSSOP8
(Thin shrink small outline package)

Pin connections (Top view)



1 Schematic diagram

Figure 1. Schematic diagram (1/2 LM158)



2 Absolute maximum ratings

Table 1. Absolute maximum ratings

| Symbol | Parameter | LM158,A | LM258,A | LM358,A | Unit |
|------------|---|--|-------------|----------|------|
| V_{CC} | Supply voltage | +/-16 or 32 | | | V |
| V_i | Input voltage | 32 | | | V |
| V_{id} | Differential input voltage | 32 | | | V |
| | Output short-circuit duration ⁽¹⁾ | Infinite | | | |
| I_{in} | Input current ⁽²⁾ | 5 mA in DC or 50 mA in AC (duty cycle = 10%, T=1s) | | | mA |
| T_{oper} | Operating free-air temperature range | -55 to +125 | -40 to +105 | 0 to +70 | °C |
| T_{stg} | Storage temperature range | -65 to +150 | | | °C |
| T_j | Maximum junction temperature | 150 | | | °C |
| R_{thja} | Thermal resistance junction to ambient ⁽³⁾ | | | | °C/W |
| | SO-8 | 125 | | | |
| | MiniSO-8 | 190 | | | |
| | TSSOP8 | 120 | | | |
| | DIP8 | 85 | | | |
| R_{thjc} | Thermal resistance junction to case ⁽³⁾ | | | | °C/W |
| | SO-8 | 40 | | | |
| | MiniSO-8 | 39 | | | |
| | TSSOP8 | 37 | | | |
| | DIP8 | 41 | | | |
| ESD | HBM: human body model ⁽⁴⁾ | 300 | | | V |
| | MM: machine model ⁽⁵⁾ | 200 | | | V |
| | CDM: charged device model ⁽⁶⁾ | 1.5 | | | kV |

- Short-circuits from the output to V_{CC} can cause excessive heating if $V_{CC} > 15$ V. The maximum output current is approximately 40 mA independent of the magnitude of V_{CC} . Destructive dissipation can result from simultaneous short circuits on all amplifiers.
- This input current only exists when the voltage at any of the input leads is driven negative. It is due to the collector-base junction of the input PNP transistor becoming forward-biased and thereby acting as input diode clamp. In addition to this diode action, there is NPN parasitic action on the IC chip. This transistor action can cause the output voltages of the Op-amps to go to the V_{CC} voltage level (or to ground for a large overdrive) for the time during which an input is driven negative. This is not destructive and normal output is restored for input voltages above -0.3 V.
- Short-circuits can cause excessive heating and destructive dissipation. R_{th} are typical values.
- Human body model: a 100 pF capacitor is charged to the specified voltage, then discharged through a 1.5 kΩ resistor between two pins of the device. This is done for all couples of connected pin combinations while the other pins are floating.
- Machine model: a 200 pF capacitor is charged to the specified voltage, then discharged directly between two pins of the device with no external series resistor (internal resistor < 5 Ω). This is done for all couples of connected pin combinations while the other pins are floating.
- Charged device model: all pins and the package are charged together to the specified voltage and then discharged directly to the ground through only one pin. This is done for all pins.

3 Operating conditions

Table 2. Operating conditions

| Symbol | Parameter | Value | Unit |
|------------|---|--|------|
| V_{CC} | Supply voltage | 3 to 30 | V |
| V_{icm} | Common mode input voltage range ⁽¹⁾ | $V_{CC}^- - 0.3$ to $V_{CC}^+ - 1.5$ | V |
| T_{oper} | Operating free air temperature range LM158 LM258 LM358 | -55 to +125 -40 to +105 0 to +70 | °C |

1. When used in comparator, the functionality is guaranteed as long as at least one input remains within the operating common mode voltage range.

4 Electrical characteristics

Table 3. Electrical characteristics for $V_{CC}^+ = +5\text{ V}$, $V_{CC}^- = \text{Ground}$, $V_o = 1.4\text{ V}$, $T_{\text{amb}} = +25^\circ\text{C}$ (unless otherwise specified)

| Symbol | Parameter | Min. | Typ. | Max. | Unit |
|-----------|---|----------|----------|------------------------------------|------------------------------|
| V_{io} | Input offset voltage ⁽¹⁾ LM158A LM258A, LM358A LM158, LM258 LM358 | | 1 2 | 2 3 5 7 | mV |
| | $T_{\text{min}} \leq T_{\text{amb}} \leq T_{\text{max}}$ LM158A, LM258A, LM358A LM158, LM258 LM358 | | | 4 7 9 | |
| DV_{io} | Input offset voltage drift LM158A, LM258A, LM358A LM158, LM258, LM358 | | 7 7 | 15 30 | $\mu\text{V}/^\circ\text{C}$ |
| I_{io} | Input offset current LM158A, LM258A, LM358A LM158, LM258, LM358 | | 2 2 | 10 30 | nA |
| | $T_{\text{min}} \leq T_{\text{amb}} \leq T_{\text{max}}$ LM158A, LM258A, LM358A LM158, LM258, LM358 | | | 30 40 | |
| DI_{io} | Input offset current drift LM158A, LM258A, LM358A LM158, LM258, LM358 | | 10 10 | 200 300 | $\text{pA}/^\circ\text{C}$ |
| I_{ib} | Input bias current ⁽²⁾ LM158A, LM258A, LM358A LM158, LM258, LM358 | | 20 20 | 50 150 | nA |
| | $T_{\text{min}} \leq T_{\text{amb}} \leq T_{\text{max}}$ LM158A, LM258A, LM358A LM158, LM258, LM358 | | | 100 200 | |
| A_{vd} | Large signal voltage gain $V_{CC}^+ = +15\text{ V}$, $R_L = 2\text{ k}\Omega$, $V_o = 1.4\text{ V to } 11.4\text{ V}$ $T_{\text{min}} \leq T_{\text{amb}} \leq T_{\text{max}}$ | 50 25 | 100 | | V/mV |
| SVR | Supply voltage rejection ratio $V_{CC}^+ = 5\text{ V to } 30\text{ V}$, $R_s \leq 10\text{ k}\Omega$ $T_{\text{min}} \leq T_{\text{amb}} \leq T_{\text{max}}$ | 65 65 | 100 | | dB |
| I_{CC} | Supply current, all amp, no load $T_{\text{min}} \leq T_{\text{amb}} \leq T_{\text{max}}$ $V_{CC}^+ = +5\text{ V}$ $T_{\text{min}} \leq T_{\text{amb}} \leq T_{\text{max}}$ $V_{CC}^+ = +30\text{ V}$ | | 0.7 | 1.2 2 | mA |
| V_{icm} | Input common mode voltage range $V_{CC}^+ = +30\text{ V}$ ⁽³⁾ $T_{\text{min}} \leq T_{\text{amb}} \leq T_{\text{max}}$ | 0 0 | | $V_{CC}^+ - 1.5$ $V_{CC}^+ - 2$ | V |

Table 3. Electrical characteristics for $V_{CC}^+ = +5\text{ V}$, $V_{CC}^- = \text{Ground}$, $V_o = 1.4\text{ V}$, $T_{\text{amb}} = +25^\circ\text{C}$ (unless otherwise specified) (continued)

| Symbol | Parameter | Min. | Typ. | Max. | Unit |
|--|--|----------|----------|----------|--------------------------------------|
| CMR | Common mode rejection ratio | | | | |
| | $R_s \leq 10\text{ k}\Omega$ $T_{\text{min}} \leq T_{\text{amb}} \leq T_{\text{max}}$ | 70 60 | 85 | | dB |
| I_{source} | Output current source $V_{CC}^+ = +15\text{ V}$, $V_o = +2\text{ V}$, $V_{\text{id}} = +1\text{ V}$ | 20 | 40 | 60 | mA |
| I_{sink} | Output sink current | | | | |
| | $V_{CC}^+ = +15\text{ V}$, $V_o = +2\text{ V}$, $V_{\text{id}} = -1\text{ V}$ $V_{CC}^+ = +15\text{ V}$, $V_o = +0.2\text{ V}$, $V_{\text{id}} = -1\text{ V}$ | 10 12 | 20 50 | | mA μA |
| V_{OH} | High level output voltage | | | | |
| | $R_L = 2\text{ k}\Omega$, $V_{CC}^+ = 30\text{ V}$ | 26 | 27 | | V |
| | $T_{\text{min}} \leq T_{\text{amb}} \leq T_{\text{max}}$ | 26 | | | |
| | $R_L = 10\text{ k}\Omega$, $V_{CC}^+ = 30\text{ V}$ | 27 | 28 | | |
| $T_{\text{min}} \leq T_{\text{amb}} \leq T_{\text{max}}$ | 27 | | | | |
| V_{OL} | Low level output voltage $R_L = 10\text{ k}\Omega$ $T_{\text{min}} \leq T_{\text{amb}} \leq T_{\text{max}}$ | | 5 | 20 20 | mV |
| SR | Slew rate $V_{CC}^+ = 15\text{ V}$, $V_i = 0.5\text{ to }3\text{ V}$, $R_L = 2\text{ k}\Omega$, $C_L = 100\text{ pF}$, unity gain | 0.3 | 0.6 | | V/ μs |
| GBP | Gain bandwidth product $V_{CC}^+ = 30\text{ V}$, $f = 100\text{ kHz}$, $V_{\text{in}} = 10\text{ mV}$, $R_L = 2\text{ k}\Omega$, $C_L = 100\text{ pF}$ | 0.7 | 1.1 | | MHz |
| THD | Total harmonic distortion $f = 1\text{ kHz}$, $A_v = 20\text{ dB}$, $R_L = 2\text{ k}\Omega$, $V_o = 2\text{ V}_{\text{pp}}$, $C_L = 100\text{ pF}$, $V_o = 2\text{ V}_{\text{pp}}$ | | 0.02 | | % |
| e_n | Equivalent input noise voltage $f = 1\text{ kHz}$, $R_s = 100\ \Omega$, $V_{CC}^+ = 30\text{ V}$ | | 55 | | $\frac{\text{nV}}{\sqrt{\text{Hz}}}$ |
| V_{o1}/V_{o2} | Channel separation ⁽⁴⁾ $1\text{ kHz} \leq f \leq 20\text{ kHz}$ | | 120 | | dB |

- $V_o = 1.4\text{ V}$, $R_s = 0\ \Omega$, $5\text{ V} < V_{CC}^+ < 30\text{ V}$, $0 < V_{\text{ic}} < V_{CC}^+ - 1.5\text{ V}$
- The direction of the input current is out of the IC. This current is essentially constant, independent of the state of the output so there is no change in the load on the input lines.
- The input common-mode voltage of either input signal voltage should not be allowed to go negative by more than 0.3 V. The upper end of the common-mode voltage range is $V_{CC}^+ - 1.5\text{ V}$, but either or both inputs can go to +32 V without damage.
- Due to the proximity of external components, ensure that stray capacitance between these external parts does not cause coupling. Typically, this can be detected because this type of capacitance increases at higher frequencies.

Figure 2. Open-loop frequency response

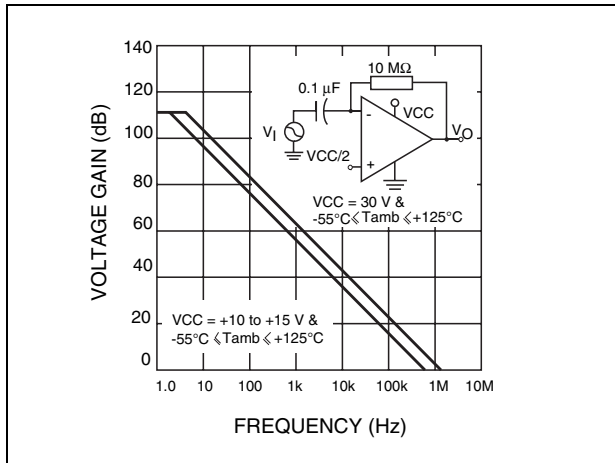


Figure 3. Large signal frequency response

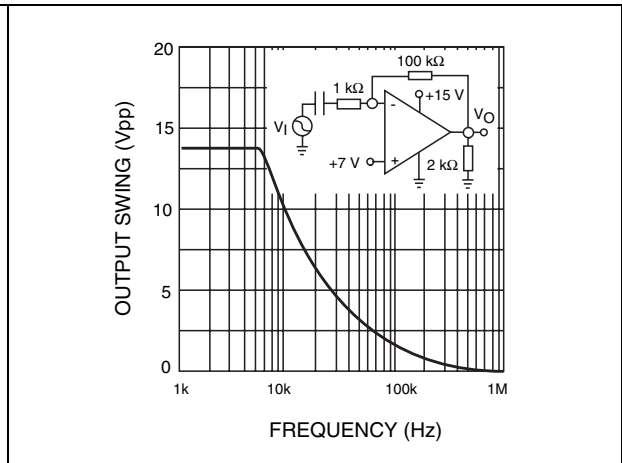


Figure 4. Voltage follower pulse response with VCC = 15 V

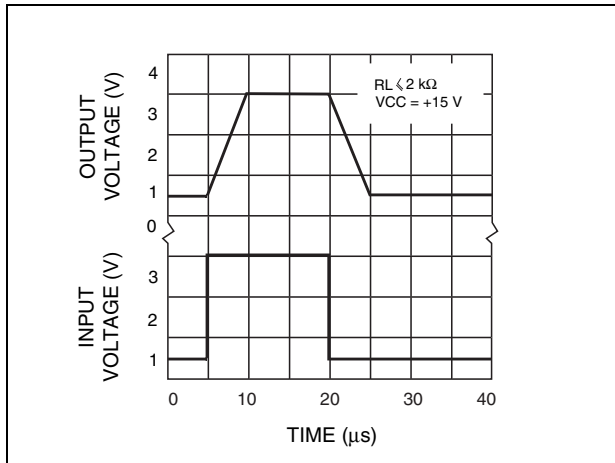


Figure 5. Voltage follower pulse response with VCC = 30 V

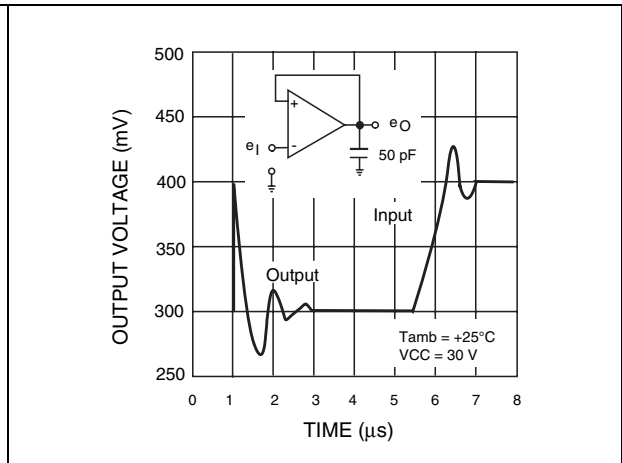


Figure 6. Input current

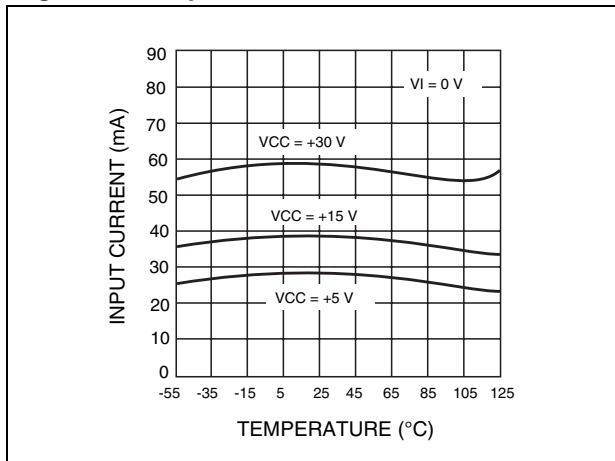


Figure 7. Output voltage vs sink current

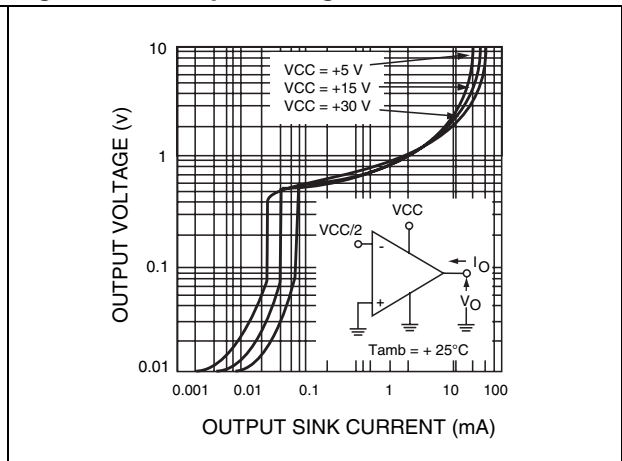


Figure 8. Output voltage vs source current

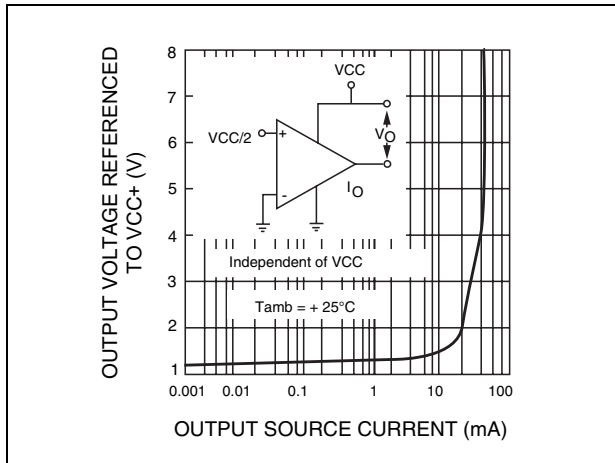


Figure 9. Current limiting

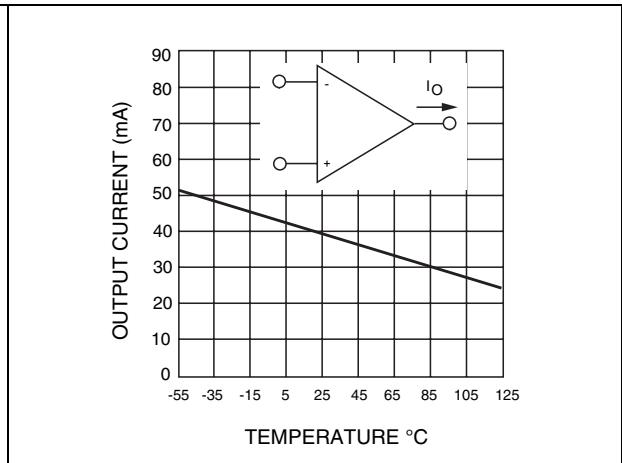


Figure 10. Input voltage range

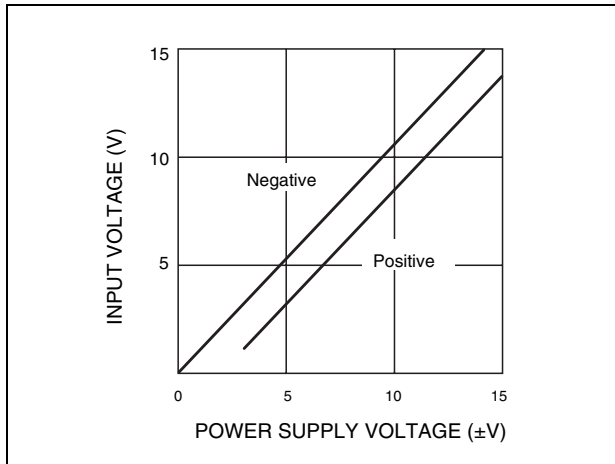


Figure 11. Open-loop gain

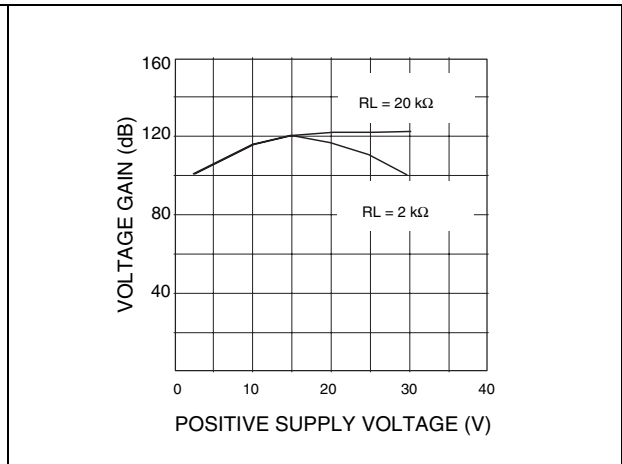


Figure 12. Supply current

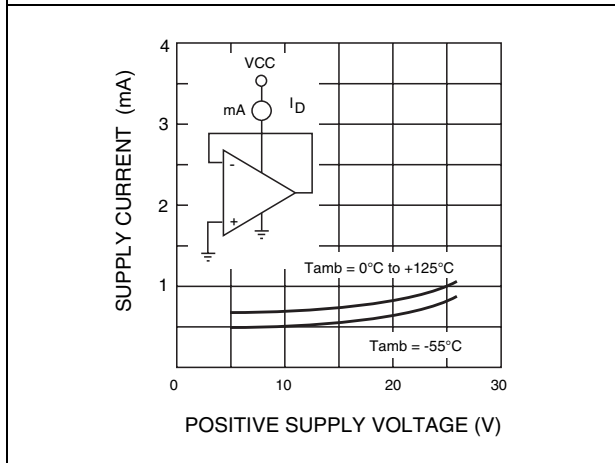


Figure 13. Input current

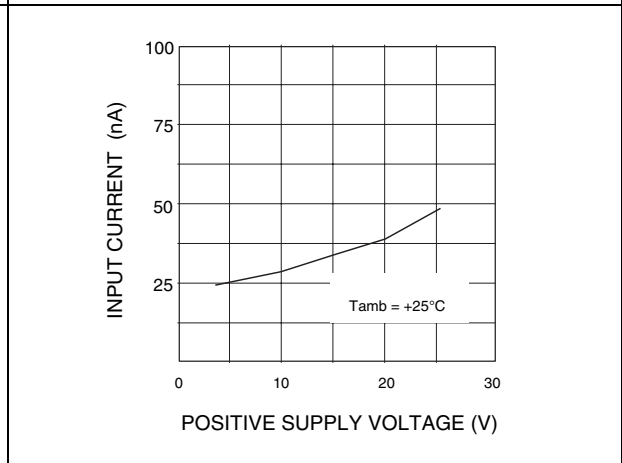


Figure 14. Gain bandwidth product

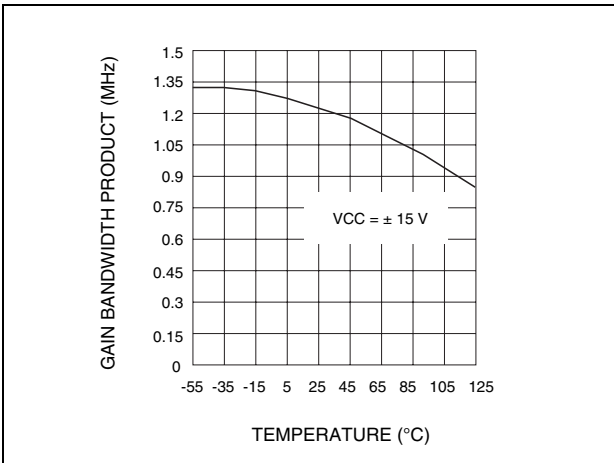


Figure 15. Power supply rejection ratio

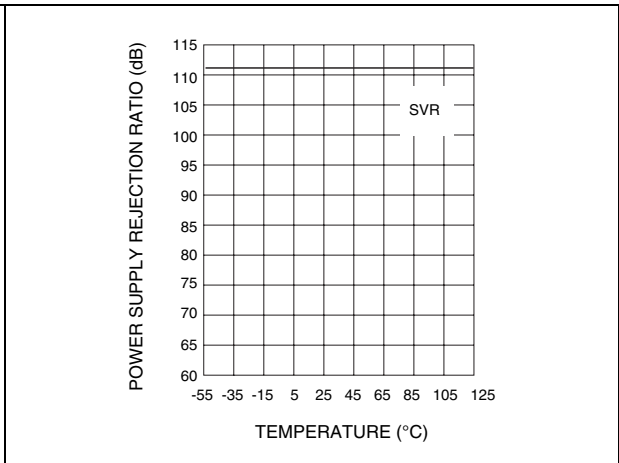


Figure 16. Common-mode rejection ratio

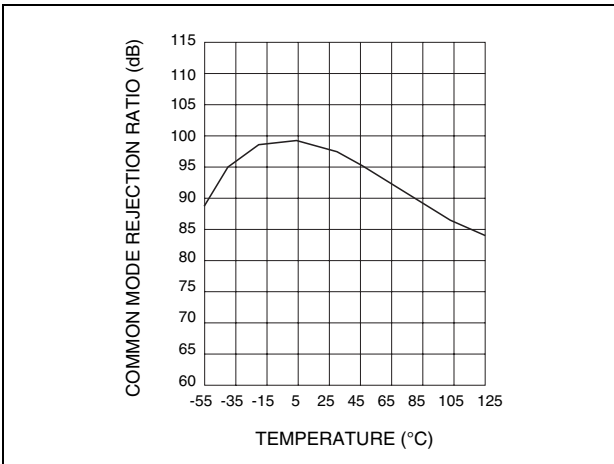
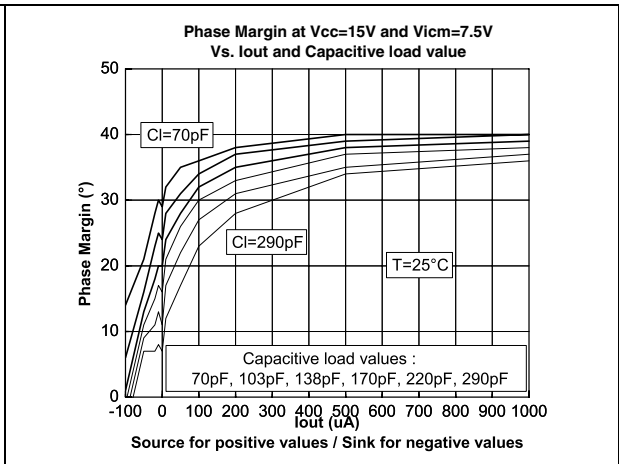


Figure 17. Phase margin vs. capacitive load



5 Typical applications

Single supply voltage $V_{CC} = +5 V_{DC}$.

Figure 18. AC-coupled inverting amplifier

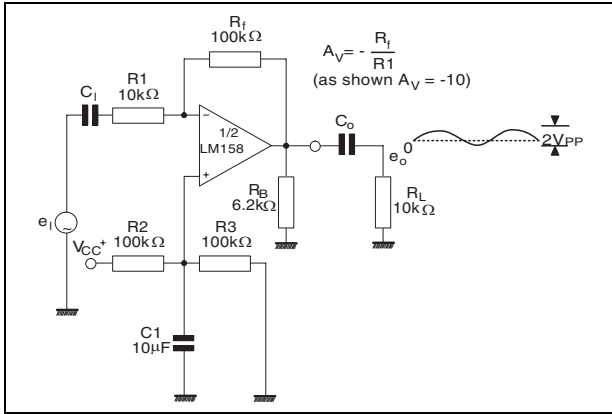


Figure 19. Non-inverting DC amplifier

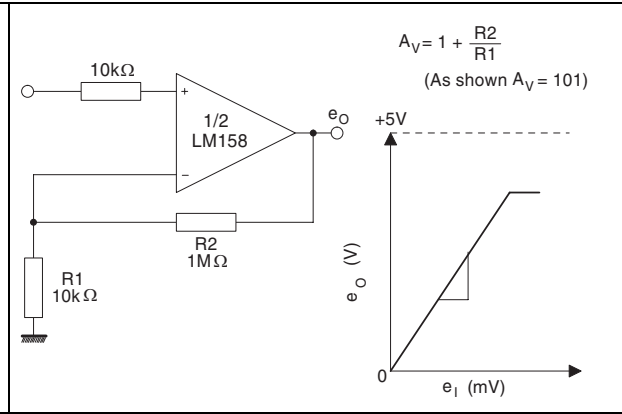


Figure 20. AC-coupled non-inverting amplifier

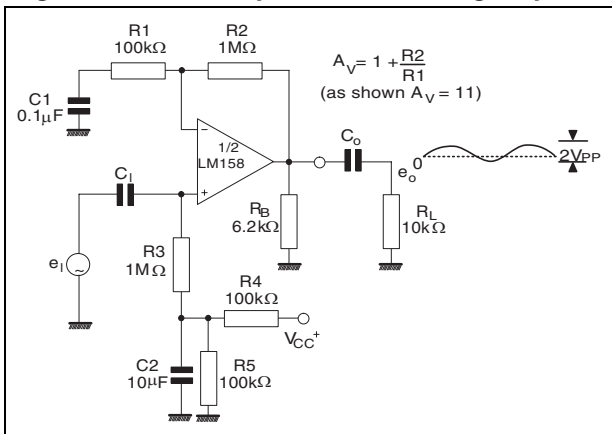


Figure 21. DC summing amplifier

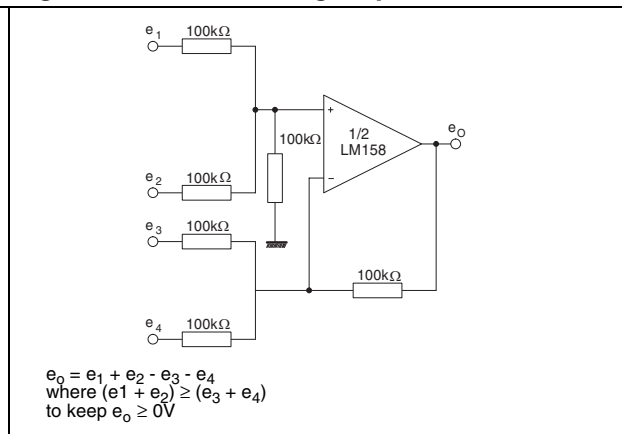


Figure 22. High input Z, DC differential amplifier

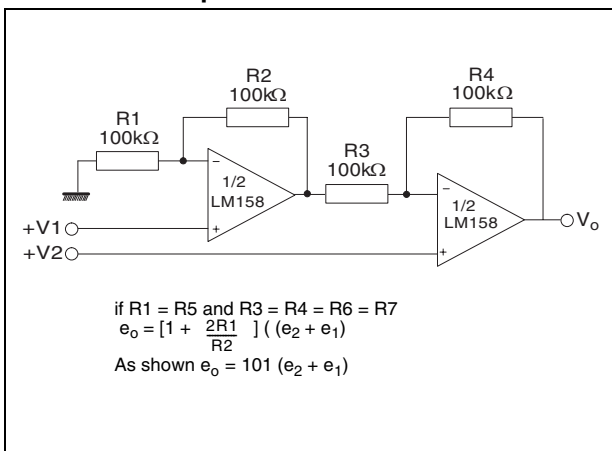


Figure 23. High input Z adjustable gain DC instrumentation amplifier

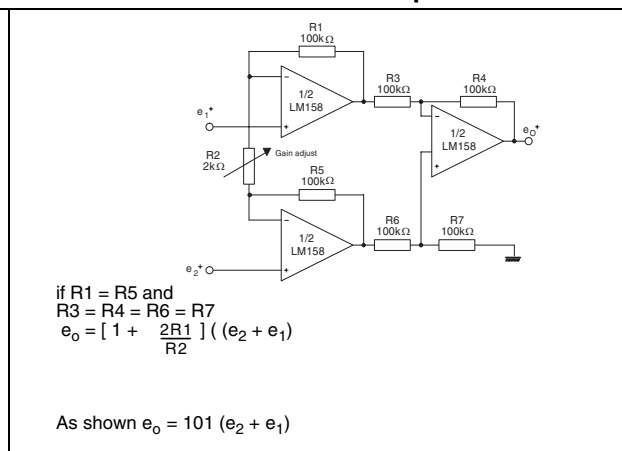


Figure 24. Using symmetrical amplifiers to reduce input current

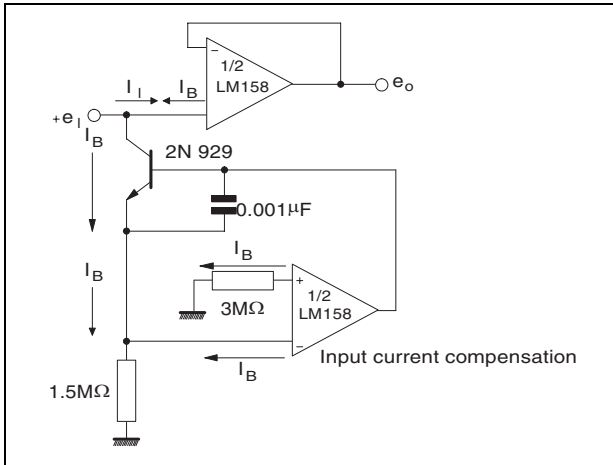


Figure 25. Low drift peak detector

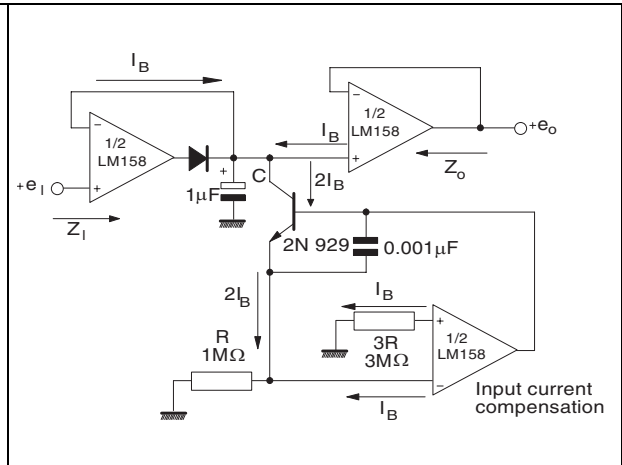
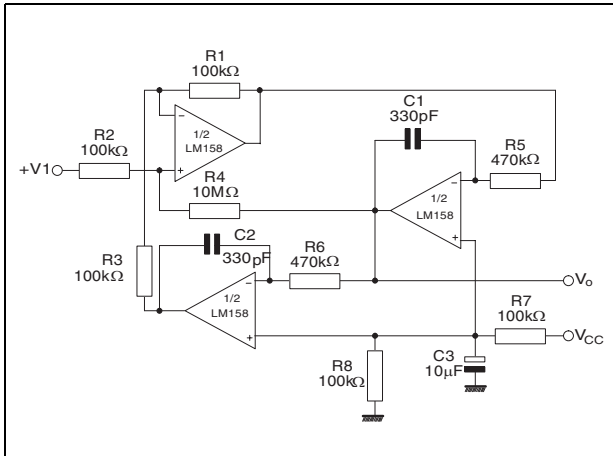


Figure 26. Active band-pass filter



6 Package information

In order to meet environmental requirements, ST offers these devices in different grades of ECOPACK[®] packages, depending on their level of environmental compliance. ECOPACK[®] specifications, grade definitions and product status are available at: www.st.com. ECOPACK[®] is an ST trademark.

6.1 DIP8 package information

Figure 27. DIP8 package mechanical drawing

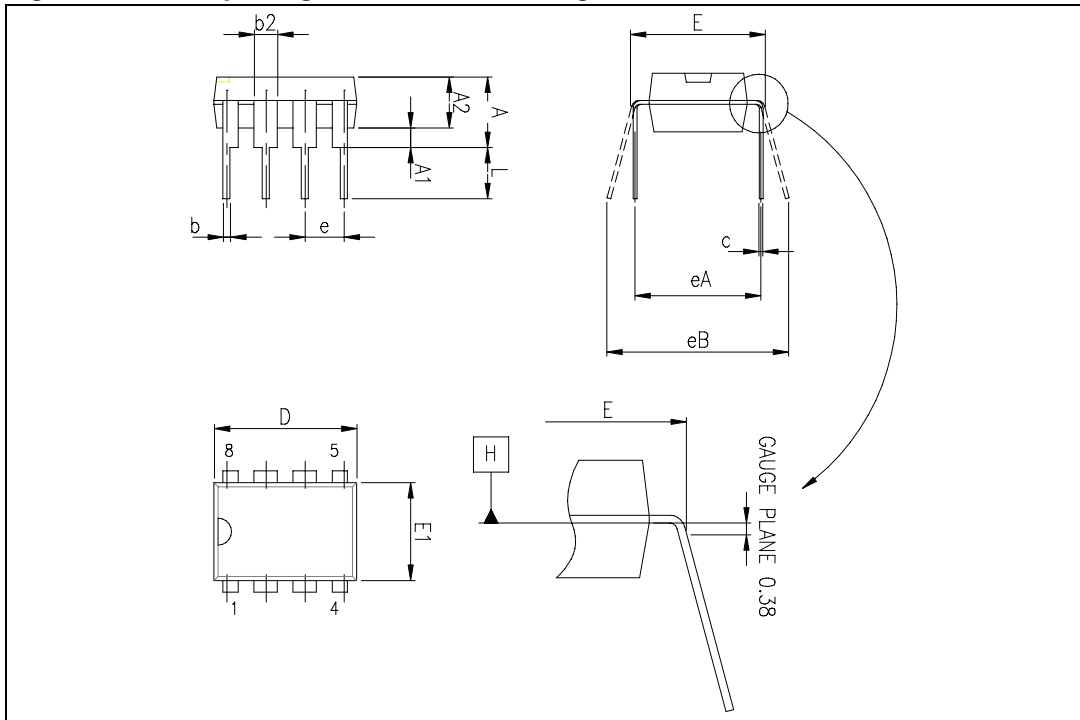


Table 4. DIP8 package mechanical data

| Ref. | Dimensions | | | | | |
|------|-------------|------|-------|--------|-------|-------|
| | Millimeters | | | Inches | | |
| | Min. | Typ. | Max. | Min. | Typ. | Max. |
| A | | | 5.33 | | | 0.210 |
| A1 | 0.38 | | | 0.015 | | |
| A2 | 2.92 | 3.30 | 4.95 | 0.115 | 0.130 | 0.195 |
| b | 0.36 | 0.46 | 0.56 | 0.014 | 0.018 | 0.022 |
| b2 | 1.14 | 1.52 | 1.78 | 0.045 | 0.060 | 0.070 |
| c | 0.20 | 0.25 | 0.36 | 0.008 | 0.010 | 0.014 |
| D | 9.02 | 9.27 | 10.16 | 0.355 | 0.365 | 0.400 |
| E | 7.62 | 7.87 | 8.26 | 0.300 | 0.310 | 0.325 |
| E1 | 6.10 | 6.35 | 7.11 | 0.240 | 0.250 | 0.280 |
| e | | 2.54 | | | 0.100 | |
| eA | | 7.62 | | | 0.300 | |
| eB | | | 10.92 | | | 0.430 |
| L | 2.92 | 3.30 | 3.81 | 0.115 | 0.130 | 0.150 |

6.2 SO-8 package information

Figure 28. SO-8 package mechanical drawing

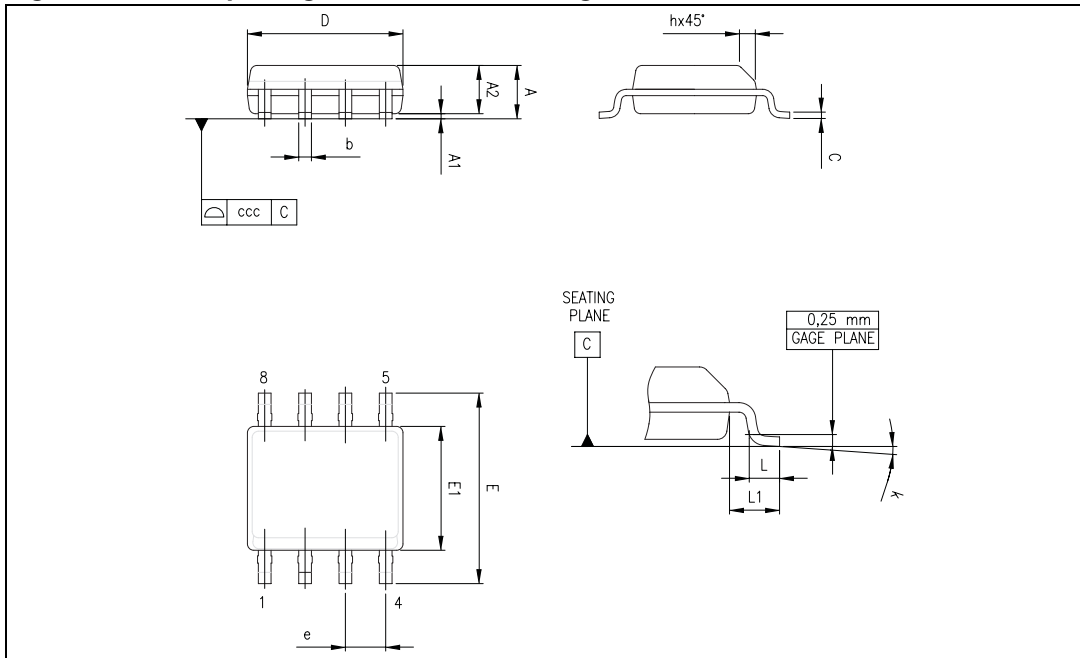


Table 5. SO-8 package mechanical data

| Ref. | Dimensions | | | | | |
|------|-------------|------|------|--------|-------|-------|
| | Millimeters | | | Inches | | |
| | Min. | Typ. | Max. | Min. | Typ. | Max. |
| A | | | 1.75 | | | 0.069 |
| A1 | 0.10 | | 0.25 | 0.004 | | 0.010 |
| A2 | 1.25 | | | 0.049 | | |
| b | 0.28 | | 0.48 | 0.011 | | 0.019 |
| c | 0.17 | | 0.23 | 0.007 | | 0.010 |
| D | 4.80 | 4.90 | 5.00 | 0.189 | 0.193 | 0.197 |
| E | 5.80 | 6.00 | 6.20 | 0.228 | 0.236 | 0.244 |
| E1 | 3.80 | 3.90 | 4.00 | 0.150 | 0.154 | 0.157 |
| e | | 1.27 | | | 0.050 | |
| h | 0.25 | | 0.50 | 0.010 | | 0.020 |
| L | 0.40 | | 1.27 | 0.016 | | 0.050 |
| L1 | | 1.04 | | | 0.040 | |
| k | 1° | | 8° | 1° | | 8° |
| ccc | | | 0.10 | | | 0.004 |

6.3 MiniSO-8 package information

Figure 29. MiniSO-8 package mechanical drawing

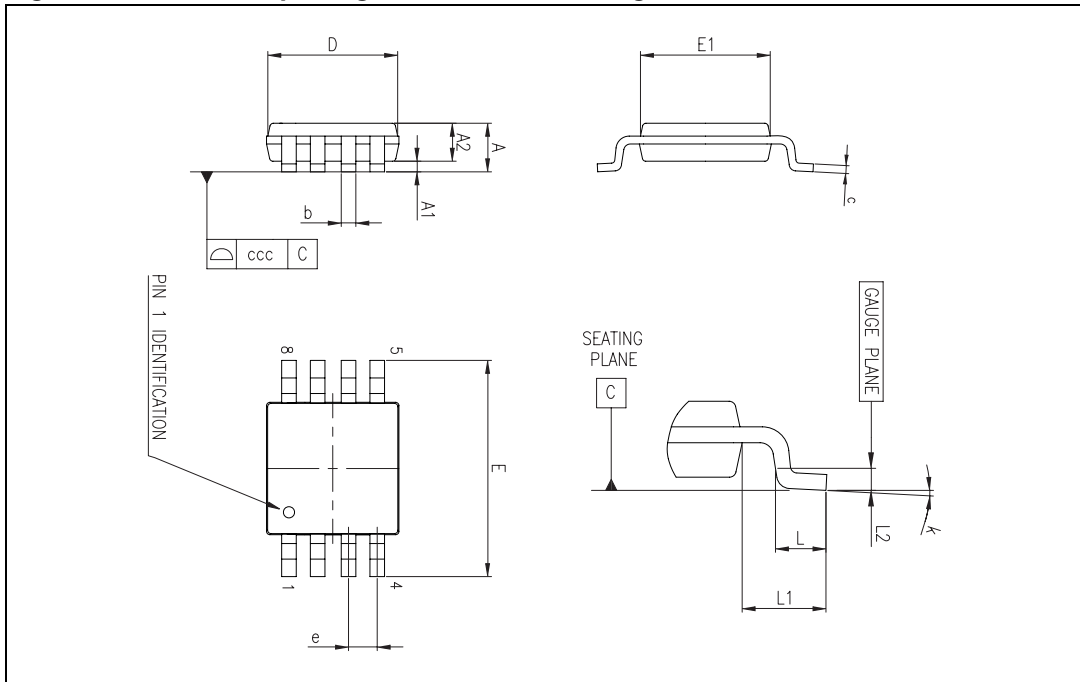


Table 6. MiniSO-8 package mechanical data

| Ref. | Dimensions | | | | | |
|------|-------------|------|------|--------|-------|-------|
| | Millimeters | | | Inches | | |
| | Min. | Typ. | Max. | Min. | Typ. | Max. |
| A | | | 1.1 | | | 0.043 |
| A1 | 0 | | 0.15 | 0 | | 0.006 |
| A2 | 0.75 | 0.85 | 0.95 | 0.030 | 0.033 | 0.037 |
| b | 0.22 | | 0.40 | 0.009 | | 0.016 |
| c | 0.08 | | 0.23 | 0.003 | | 0.009 |
| D | 2.80 | 3.00 | 3.20 | 0.11 | 0.118 | 0.126 |
| E | 4.65 | 4.90 | 5.15 | 0.183 | 0.193 | 0.203 |
| E1 | 2.80 | 3.00 | 3.10 | 0.11 | 0.118 | 0.122 |
| e | | 0.65 | | | 0.026 | |
| L | 0.40 | 0.60 | 0.80 | 0.016 | 0.024 | 0.031 |
| L1 | | 0.95 | | | 0.037 | |
| L2 | | 0.25 | | | 0.010 | |
| k | 0° | | 8° | 0° | | 8° |
| ccc | | | 0.10 | | | 0.004 |

6.4 TSSOP8 package information

Figure 30. TSSOP8 package mechanical drawing

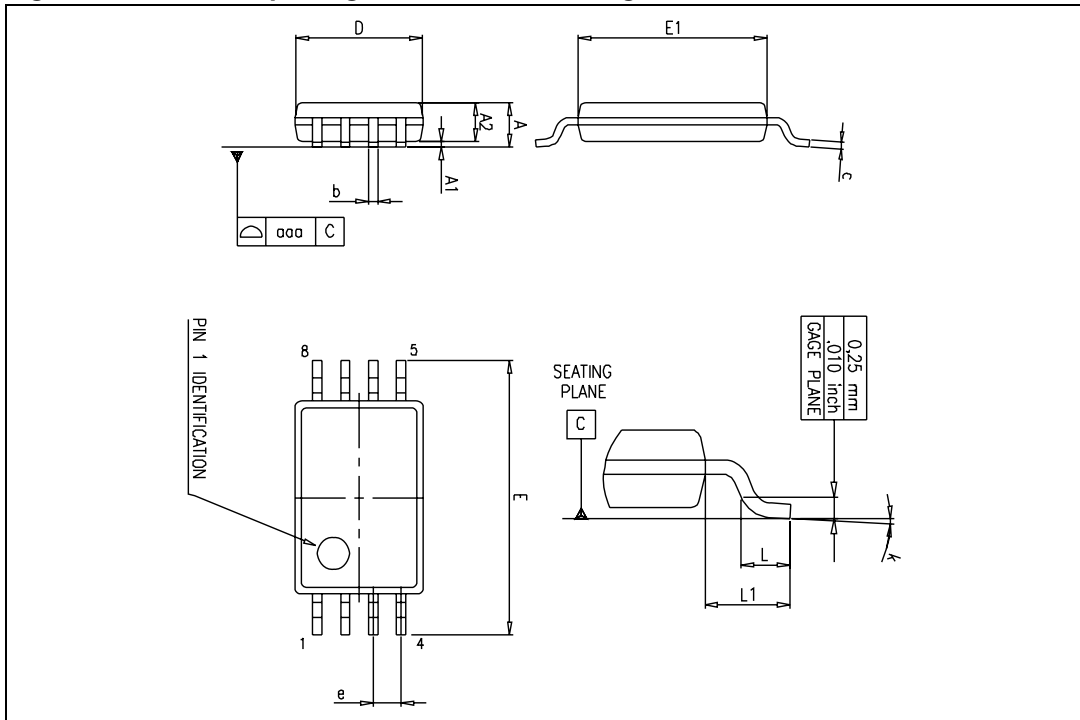


Table 7. TSSOP8 package mechanical data

| Ref. | Dimensions | | | | | |
|------|-------------|------|------|--------|--------|-------|
| | Millimeters | | | Inches | | |
| | Min. | Typ. | Max. | Min. | Typ. | Max. |
| A | | | 1.2 | | | 0.047 |
| A1 | 0.05 | | 0.15 | 0.002 | | 0.006 |
| A2 | 0.80 | 1.00 | 1.05 | 0.031 | 0.039 | 0.041 |
| b | 0.19 | | 0.30 | 0.007 | | 0.012 |
| c | 0.09 | | 0.20 | 0.004 | | 0.008 |
| D | 2.90 | 3.00 | 3.10 | 0.114 | 0.118 | 0.122 |
| E | 6.20 | 6.40 | 6.60 | 0.244 | 0.252 | 0.260 |
| E1 | 4.30 | 4.40 | 4.50 | 0.169 | 0.173 | 0.177 |
| e | | 0.65 | | | 0.0256 | |
| k | 0° | | 8° | 0° | | 8° |
| L | 0.45 | 0.60 | 0.75 | 0.018 | 0.024 | 0.030 |
| L1 | | 1 | | | 0.039 | |
| aaa | | 0.1 | | | 0.004 | |

6.5 DFN8 2 x 2 package mechanical data

Figure 31. DFN8 2 x 2 package mechanical drawing

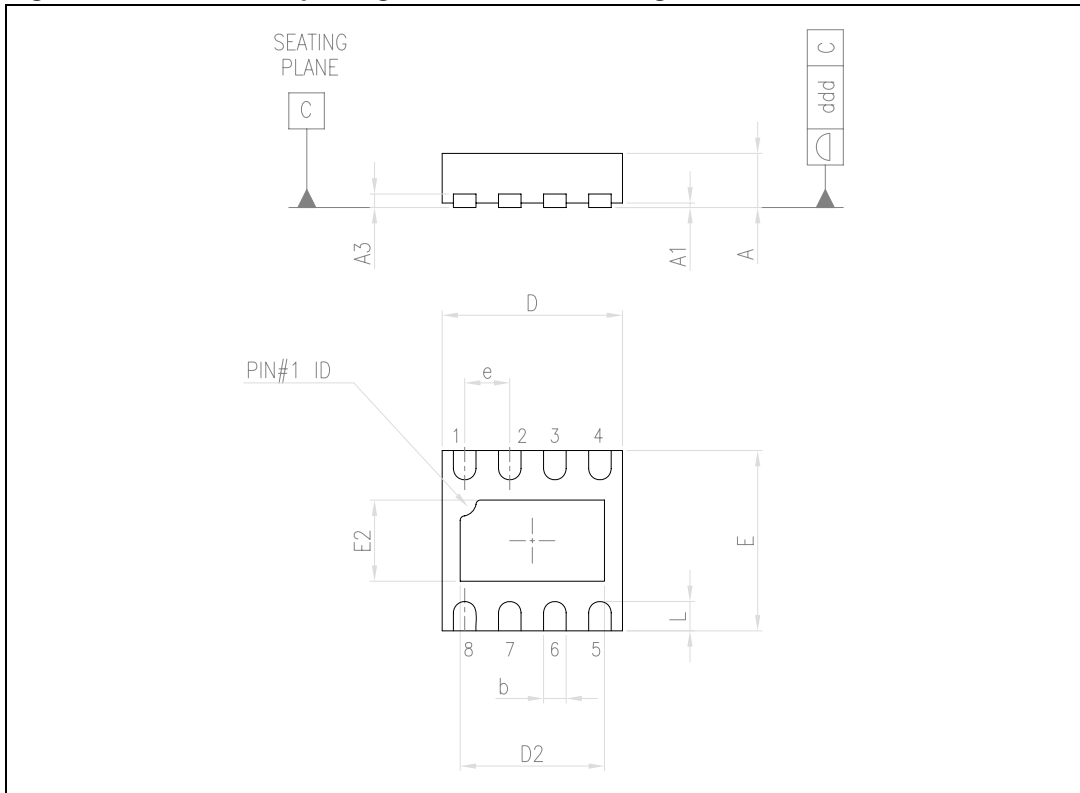
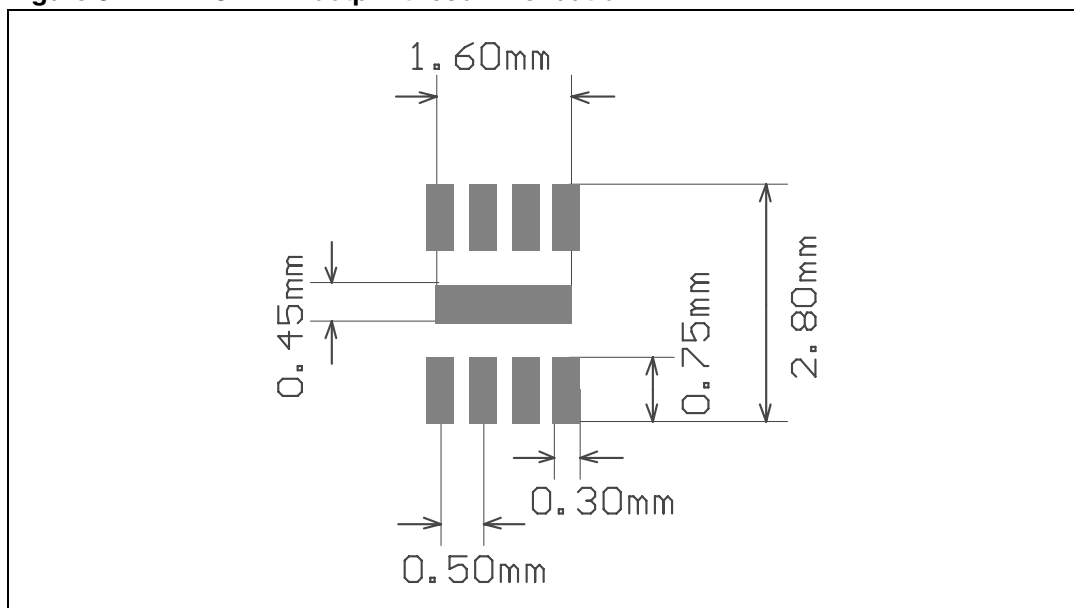


Table 8. DFN8 2 x 2 x 0.6 mm package mechanical data (pitch 0.5 mm)

| Ref. | Dimensions | | | | | |
|------|-------------|------|------|--------|-------|-------|
| | Millimeters | | | Inches | | |
| | Min. | Typ. | Max. | Min. | Typ. | Max. |
| A | 0.51 | 0.55 | 0.60 | 0.020 | 0.022 | 0.024 |
| A1 | | | 0.05 | | | 0.002 |
| A3 | | 0.15 | | | 0.006 | |
| b | 0.18 | 0.25 | 0.30 | 0.007 | 0.010 | 0.012 |
| D | 1.85 | 2.00 | 2.15 | 0.073 | 0.079 | 0.085 |
| D2 | 1.45 | 1.60 | 1.70 | 0.057 | 0.063 | 0.067 |
| E | 1.85 | 2.00 | 2.15 | 0.073 | 0.079 | 0.085 |
| E2 | 0.75 | 0.90 | 1.00 | 0.030 | 0.035 | 0.039 |
| e | | 0.50 | | | 0.020 | |
| L | | | 0.50 | | | 0.020 |
| ddd | | | 0.08 | | | 0.003 |

Figure 32. DFN8 2 x 2 footprint recommendation



7 Ordering information

Table 9. Order codes

| Order code | Temperature range | Package | Packaging | Marking |
|---|----------------------------|----------------------------|---------------------|------------------|
| LM158N | -55°C, +125°C | DIP8 | Tube | LM158N |
| LM158QT | | DFN8 2x2 | Tape & reel | K4A |
| LM158D LM158DT | | SO-8 | Tube or tape & reel | 158 |
| LM158YDT ⁽¹⁾ | | SO-8 Automotive grade | Tape & reel | 158Y |
| LM258AN LM258N | -40°C, +105°C | DIP8 | Tube | LM258A LM258N |
| LM258AD LM258ADT | | SO-8 | Tube or tape & reel | 258A |
| LM258AYDT ⁽¹⁾ | | SO-8 Automotive grade | Tape & reel | 258AY |
| LM258D LM258DT | | SO-8 | Tube or tape & reel | 258 |
| LM258YDT ⁽¹⁾ | | SO-8 Automotive grade | Tape & reel | 258Y |
| LM258PT LM258APT | | TSSOP8 | Tape & reel | 258 258A |
| LM258YPT ⁽²⁾ LM258AYPT ⁽²⁾ | | TSSOP8 Automotive grade | | 258Y 258AY |
| LM258AST LM258ST | | MiniSO-8 | Tape & reel | K408 K416 |
| LM258QT | | DFN8 2x2 | Tape & reel | K4C |
| LM358N LM358AN | | 0°C, +70°C | DIP8 | Tube |
| LM358D LM358DT | SO-8 | | Tube or tape & reel | 358 |
| LM358YDT ⁽¹⁾ | SO-8 Automotive grade | | Tape & reel | 358Y |
| LM358AD LM358ADT | SO-8 | | Tube or tape & reel | 358A |
| LM358PT LM358APT | TSSOP8 | | Tape & reel | 358 358A |
| LM358YPT ⁽²⁾ LM358AYPT ⁽²⁾ | TSSOP8 Automotive grade | | | 358Y 358AY |
| LM358ST LM358AST | MiniSO-8 | | Tape & reel | K405 K404 |
| LM358QT | DFN8 2x2 | | Tape & reel | K4E |

1. Qualified and characterized according to AEC Q100 and Q003 or equivalent, advanced screening according to AEC Q001 & Q 002 or equivalent.
2. Qualification and characterization according to AEC Q100 and Q003 or equivalent, advanced screening according to AEC Q001 & Q 002 or equivalent are on-going.

8 Revision history

Table 10. Document revision history

| Date | Revision | Changes |
|-------------|----------|---|
| 01-Jul-2003 | 1 | First release. |
| 02-Jan-2005 | 2 | R_{thja} and T_j parameters added in AMR Table 1 on page 3 . |
| 01-Jul-2005 | 3 | ESD protection inserted in Table 1 on page 3 . |
| 05-Oct-2006 | 4 | Added Figure 17: Phase margin vs. capacitive load . |
| 30-Nov-2006 | 5 | Added missing ordering information. |
| 25-Apr-2007 | 6 | Removed LM158A, LM258A and LM358A from document title. Corrected error in MiniSO-8 package data. L1 is 0.004 inch. Added automotive grade order codes in Section 7 on page 19 . |
| 12-Feb-2008 | 7 | Corrected V_{CC} max (30 V instead of 32 V) in operating conditions. Changed presentation of electrical characteristics table. Deleted V_{opp} parameter in electrical characteristics table. Corrected miniSO-8 package information. Corrected temperature range for automotive grade order codes. Updated automotive grade footnotes in order codes table. |
| 26-Aug-2008 | 8 | Added limitations on input current in Table 1: Absolute maximum ratings . Corrected title for Figure 11 . Added E and L1 parameters in Table 5: SO-8 package mechanical data . Changed Figure 30 . |
| 02-Sep-2011 | 9 | In Chapter 6: Package information , added: <ul style="list-style-type: none"> – DFN8 2 x 2 mm package mechanical drawing – DFN8 2 x 2 mm recommended footprint – DFN8 2 x 2 mm order codes. |
| 06-Apr-2012 | 10 | Removed order codes <i>LM158YD</i> , <i>LM258AYD</i> , <i>LM258YD</i> and <i>LM358YD</i> from Table 9: Order codes . |

Please Read Carefully:

Information in this document is provided solely in connection with ST products. STMicroelectronics NV and its subsidiaries ("ST") reserve the right to make changes, corrections, modifications or improvements, to this document, and the products and services described herein at any time, without notice.

All ST products are sold pursuant to ST's terms and conditions of sale.

Purchasers are solely responsible for the choice, selection and use of the ST products and services described herein, and ST assumes no liability whatsoever relating to the choice, selection or use of the ST products and services described herein.

No license, express or implied, by estoppel or otherwise, to any intellectual property rights is granted under this document. If any part of this document refers to any third party products or services it shall not be deemed a license grant by ST for the use of such third party products or services, or any intellectual property contained therein or considered as a warranty covering the use in any manner whatsoever of such third party products or services or any intellectual property contained therein.

UNLESS OTHERWISE SET FORTH IN ST'S TERMS AND CONDITIONS OF SALE ST DISCLAIMS ANY EXPRESS OR IMPLIED WARRANTY WITH RESPECT TO THE USE AND/OR SALE OF ST PRODUCTS INCLUDING WITHOUT LIMITATION IMPLIED WARRANTIES OF MERCHANTABILITY, FITNESS FOR A PARTICULAR PURPOSE (AND THEIR EQUIVALENTS UNDER THE LAWS OF ANY JURISDICTION), OR INFRINGEMENT OF ANY PATENT, COPYRIGHT OR OTHER INTELLECTUAL PROPERTY RIGHT.

UNLESS EXPRESSLY APPROVED IN WRITING BY TWO AUTHORIZED ST REPRESENTATIVES, ST PRODUCTS ARE NOT RECOMMENDED, AUTHORIZED OR WARRANTED FOR USE IN MILITARY, AIR CRAFT, SPACE, LIFE SAVING, OR LIFE SUSTAINING APPLICATIONS, NOR IN PRODUCTS OR SYSTEMS WHERE FAILURE OR MALFUNCTION MAY RESULT IN PERSONAL INJURY, DEATH, OR SEVERE PROPERTY OR ENVIRONMENTAL DAMAGE. ST PRODUCTS WHICH ARE NOT SPECIFIED AS "AUTOMOTIVE GRADE" MAY ONLY BE USED IN AUTOMOTIVE APPLICATIONS AT USER'S OWN RISK.

Resale of ST products with provisions different from the statements and/or technical features set forth in this document shall immediately void any warranty granted by ST for the ST product or service described herein and shall not create or extend in any manner whatsoever, any liability of ST.

ST and the ST logo are trademarks or registered trademarks of ST in various countries.

Information in this document supersedes and replaces all information previously supplied.

The ST logo is a registered trademark of STMicroelectronics. All other names are the property of their respective owners.

© 2012 STMicroelectronics - All rights reserved

STMicroelectronics group of companies

Australia - Belgium - Brazil - Canada - China - Czech Republic - Finland - France - Germany - Hong Kong - India - Israel - Italy - Japan - Malaysia - Malta - Morocco - Philippines - Singapore - Spain - Sweden - Switzerland - United Kingdom - United States of America

www.st.com

