

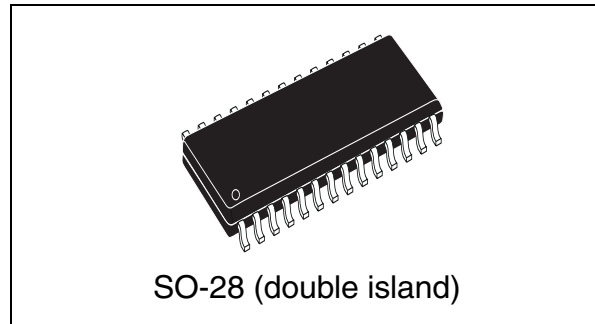
## Quad channel high-side driver

### Features

Type	$R_{DS(on)}$	$I_{OUT}$	$V_{CC}$
VNQ810P-E	160m $\Omega$ <sup>(1)</sup>	3.5A <sup>(1)</sup>	36V

1. Per each channel.

- ECOPACK®: lead free and RoHS compliant
- Automotive Grade: compliance with AEC guidelines
- Very low standby current
- CMOS compatible input
- On-state open-load detection
- Off-state open-load detection
- Thermal shutdown protection and diagnosis
- Undervoltage shutdown
- Overvoltage clamp
- Output stuck to  $V_{CC}$  detection
- Load current limitation
- Reverse battery protection
- Electrostatic discharge protection



### Description

The VNQ810P-E is a quad HSD formed by assembling two VND810P-E chips in the same SO-28 package. The VNQ810P-E is a monolithic device made by using STMicroelectronics VIPower™ M0-3 technology, intended for driving any kind of load with one side connected to ground. Active  $V_{CC}$  pin voltage clamp protects the device against low energy spikes (see ISO7637 transient compatibility table).

Active current limitation combined with thermal shutdown and automatic restart protects the device against overload. The device detects open-load condition both in on and off-state. Output shorted to  $V_{CC}$  is detected in the off-state. Device automatically turns off in case of ground pin disconnection.

**Table 1. Device summary**

Package	Order codes	
	Tube	Tape and reel
SO-28 (double island)	VNQ810P-E	VNQ810PTR-E

# Contents

- 1      Block diagram and pin description ..... 5**
  
- 2      Electrical specifications ..... 7**
  - 2.1    Absolute maximum ratings ..... 7
  - 2.2    Thermal data ..... 7
  - 2.3    Electrical characteristics ..... 8
  - 2.4    Electrical characteristics curves ..... 14
  
- 3      Application information ..... 17**
  - 3.1    GND protection network against reverse battery ..... 17
    - 3.1.1    Solution 1: a resistor in the ground line (RGND only) ..... 17
    - 3.1.2    Solution 2: a diode (D<sub>GND</sub>) in the ground line ..... 18
  - 3.2    Load dump protection ..... 18
  - 3.3    MCU I/O protection ..... 18
  - 3.4    Open-load detection in off-state ..... 19
  - 3.5    Maximum demagnetization energy (V<sub>CC</sub> = 13.5V) ..... 20
  
- 4      Package and PCB thermal data ..... 21**
  - 4.1    SO-28 thermal data ..... 21
  
- 5      Package and packing information ..... 24**
  - 5.1    ECOPACK<sup>®</sup> packages ..... 24
  - 5.2    SO-28 package information ..... 24
  - 5.3    SO-28 packing information ..... 26
  
- 6      Revision history ..... 27**

## List of tables

Table 1.	Device summary . . . . .	1
Table 2.	Suggested connections for unused and not connected pins . . . . .	6
Table 3.	Absolute maximum ratings . . . . .	7
Table 4.	Thermal data (per island) . . . . .	7
Table 5.	Power output. . . . .	8
Table 7.	V <sub>CC</sub> - output diode . . . . .	9
Table 8.	Status pin . . . . .	9
Table 9.	Switching (V <sub>CC</sub> = 13V) . . . . .	9
Table 6.	Protections . . . . .	9
Table 10.	Open-load detection . . . . .	10
Table 11.	Logic inputs. . . . .	10
Table 12.	Truth table. . . . .	11
Table 13.	Electrical transient requirements on V <sub>CC</sub> pin (part 1/3). . . . .	12
Table 14.	Electrical transient requirements on V <sub>CC</sub> pin (part 2/3). . . . .	12
Table 15.	Electrical transient requirements on V <sub>CC</sub> pin (part 3/3). . . . .	12
Table 16.	Thermal calculation according to the PCB heatsink area . . . . .	21
Table 17.	Thermal parameters . . . . .	23
Table 18.	SO-28 mechanical data . . . . .	25
Table 19.	Document revision history . . . . .	27

## List of figures

Figure 1.	Block diagram . . . . .	5
Figure 2.	Configuration diagram (top view) . . . . .	6
Figure 3.	Current and voltage conventions . . . . .	8
Figure 4.	Status timings . . . . .	10
Figure 5.	Switching time Waveforms . . . . .	11
Figure 6.	Waveforms . . . . .	13
Figure 7.	Off-state output current . . . . .	14
Figure 8.	High level input current . . . . .	14
Figure 9.	Input clamp voltage . . . . .	14
Figure 10.	Status leakage current . . . . .	14
Figure 11.	Status low output voltage . . . . .	14
Figure 12.	Status clamp voltage . . . . .	14
Figure 13.	Overshoot shutdown . . . . .	15
Figure 14.	$I_{LIM}$ vs $T_{case}$ . . . . .	15
Figure 15.	Turn-on voltage slope . . . . .	15
Figure 16.	Turn-off voltage slope . . . . .	15
Figure 17.	On-state resistance vs $T_{case}$ . . . . .	15
Figure 18.	On-state resistance vs $V_{CC}$ . . . . .	15
Figure 19.	Input high level . . . . .	16
Figure 20.	Input low level . . . . .	16
Figure 21.	Open-load on-state detection threshold . . . . .	16
Figure 22.	Open-load off-state voltage detection threshold . . . . .	16
Figure 23.	Input hysteresis voltage . . . . .	16
Figure 24.	Application schematic . . . . .	17
Figure 25.	Open-load detection in off-state . . . . .	19
Figure 26.	SO-28 (double island) maximum turn-off current versus load inductance . . . . .	20
Figure 27.	SO-28 double island PC board . . . . .	21
Figure 28.	$R_{thj-amb}$ vs PCB copper area in open box free air condition . . . . .	22
Figure 29.	SO-28 thermal impedance junction ambient single pulse . . . . .	22
Figure 30.	Thermal fitting model of a quad channel HSD in SO-28 . . . . .	23
Figure 31.	SO-28 package dimensions . . . . .	24
Figure 32.	SO-28 tube shipment (no suffix) . . . . .	26
Figure 33.	SO-28 tape and reel shipment (suffix "TR") . . . . .	26

# 1 Block diagram and pin description

Figure 1. Block diagram

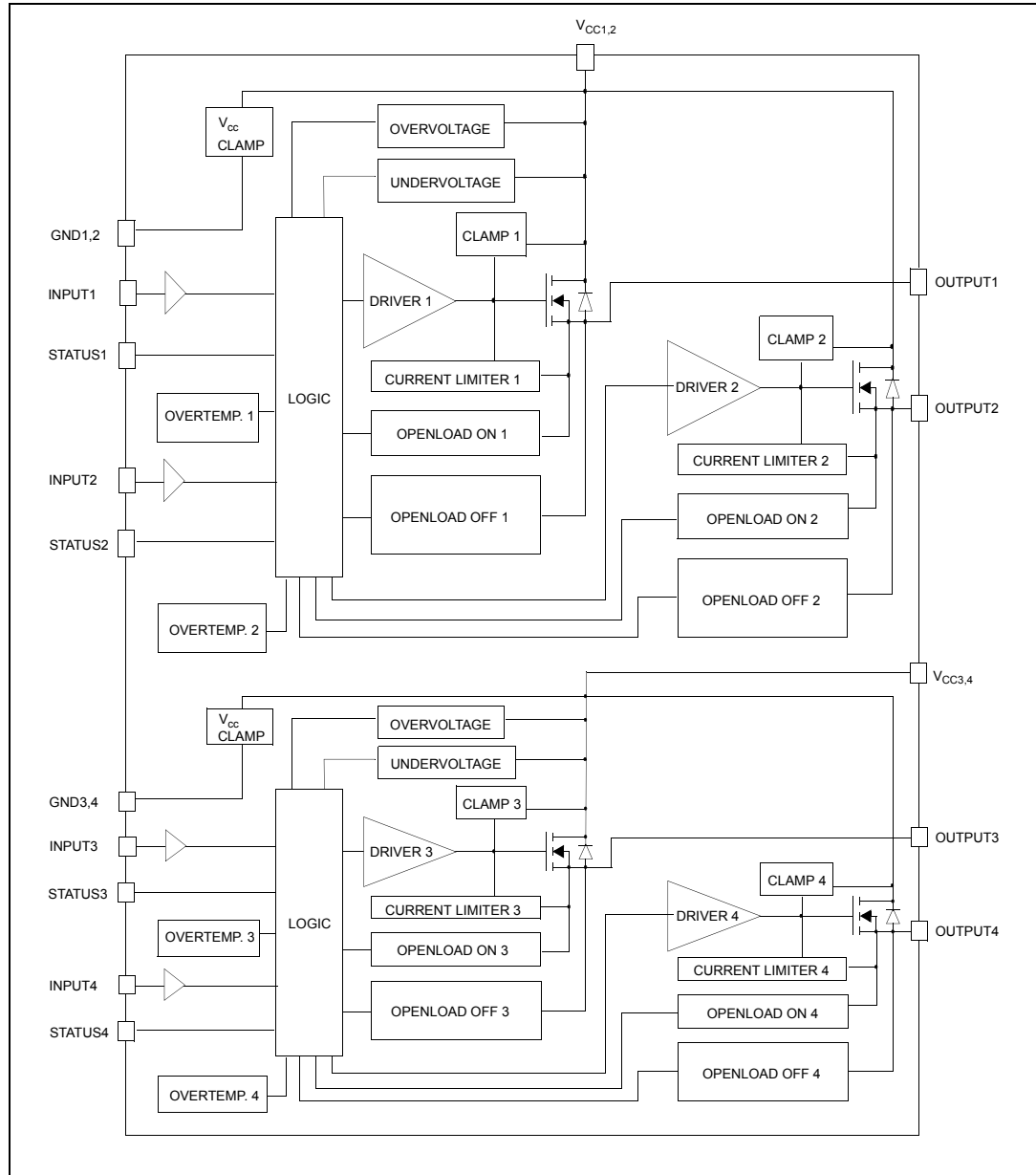


Figure 2. Configuration diagram (top view)

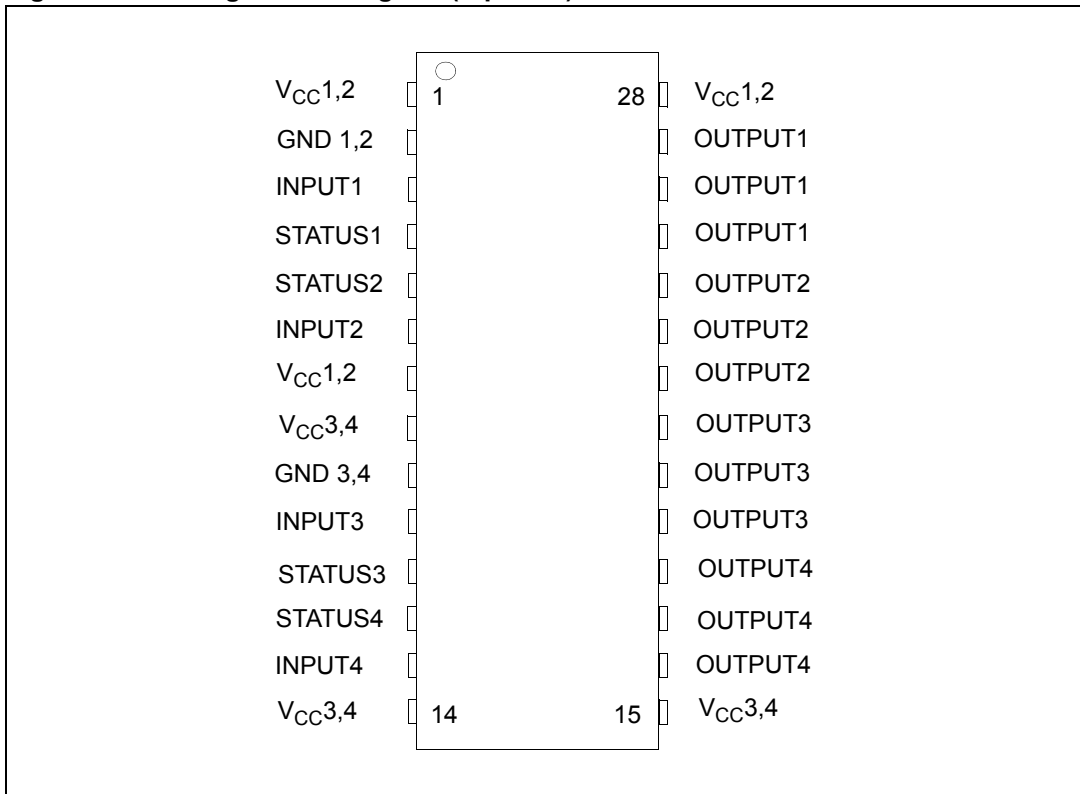


Table 2. Suggested connections for unused and not connected pins

Connection / pin	Status	N.C.	Output	Input
Floating	X	X	X	X
To ground		X		Through 10 KΩ resistor

## 2 Electrical specifications

### 2.1 Absolute maximum ratings

Stressing the device above the rating listed in the [Table 5](#) may cause permanent damage to the device. These are stress ratings only and operation of the device at these or any other conditions above those indicated in the operating sections of this specification is not implied. Exposure to absolute maximum rating conditions for extended periods may affect device reliability. Refer also to the STMicroelectronics SURE program and other relevant quality document.

**Table 3. Absolute maximum ratings**

Symbol	Parameter	Value	Unit
$V_{CC}$	DC supply voltage	41	V
$-V_{CC}$	Reverse DC supply voltage	-0.3	V
$-I_{GND}$	DC reverse ground pin current	-200	mA
$I_{OUT}$	DC output current	Internally limited	A
$-I_{OUT}$	Reverse DC output current	-6	A
$I_{IN}$	DC input current	+/-10	mA
$I_{STAT}$	DC Status current	+/-10	mA
$V_{ESD}$	Electrostatic discharge (human body model: R = 1.5 K $\Omega$ ; C = 100 pF)		
	- INPUT	4000	V
	- STATUS	4000	V
	- OUTPUT	5000	V
	- $V_{CC}$	5000	V
$E_{MAX}$	Maximum switching energy (L = 2.5 mH; R <sub>L</sub> = 0 $\Omega$ ; V <sub>bat</sub> = 13.5 V; T <sub>jstart</sub> = 150 °C; I <sub>L</sub> = 9 A)	23	mJ
$P_{tot}$	Power dissipation (per island) at T <sub>lead</sub> = 25°C	6.25	W
$T_j$	Junction operating temperature	Internally limited	°C
$T_{stg}$	Storage temperature	- 55 to 150	°C

### 2.2 Thermal data

**Table 4. Thermal data (per island)**

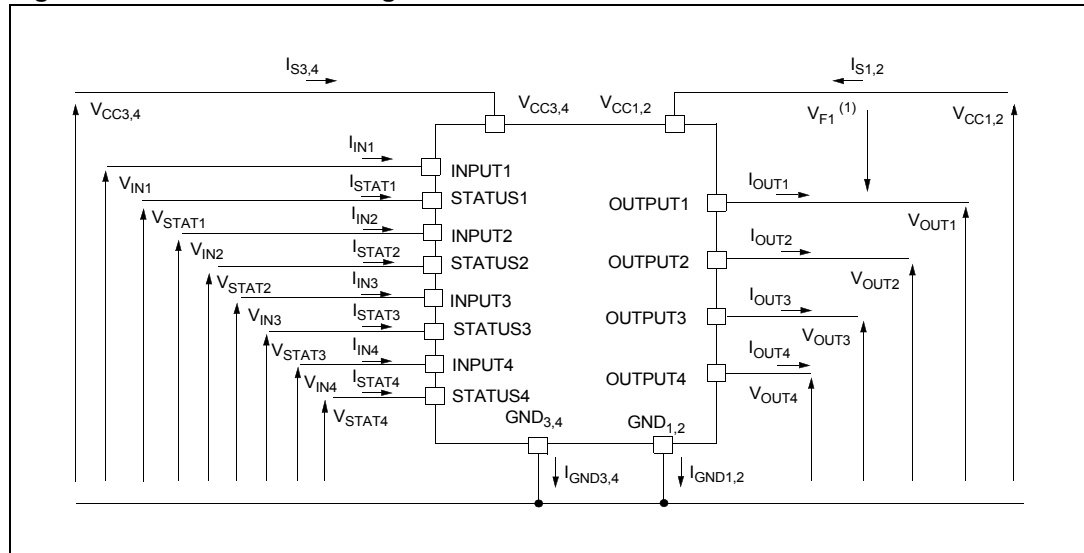
Symbol	Parameter	Value		Unit
$R_{thj-lead}$	Thermal resistance junction-lead	20		°C/W
$R_{thj-amb}$	Thermal resistance junction-ambient (one chip ON)	60 <sup>(1)</sup>	44 <sup>(2)</sup>	°C/W
$R_{thj-amb}$	Thermal resistance junction-ambient (two chips ON)	46 <sup>(1)</sup>	31 <sup>(2)</sup>	°C/W

- When mounted on a standard single-sided FR-4 board with 0.5 cm<sup>2</sup> of Cu (at least 35  $\mu$ m thick) connected to all  $V_{CC}$  pins. Horizontal mounting and no artificial air flow.
- When mounted on a standard single-sided FR-4 board with 6 cm<sup>2</sup> of Cu (at least 35  $\mu$ m thick) connected to all  $V_{CC}$  pins. Horizontal mounting and no artificial air flow.

### 2.3 Electrical characteristics

Values specified in this section are for  $8\text{ V} < V_{CC} < 36\text{ V}$ ;  $-40\text{ }^\circ\text{C} < T_j < 150\text{ }^\circ\text{C}$ , unless otherwise stated.

**Figure 3. Current and voltage conventions**



1.  $V_{Fn} = V_{CCn} - V_{OUTn}$  during reverse battery condition.

**Table 5. Power output**

Symbol	Parameter	Test conditions	Min.	Typ.	Max.	Unit
$V_{CC}^{(1)}$	Operating supply voltage		5.5	13	36	V
$V_{USD}^{(1)}$	Undervoltage shutdown		3	4	5.5	V
$V_{OV}^{(1)}$	Overvoltage shutdown		36			V
$R_{ON}$	On-state resistance	$I_{OUT} = 1\text{ A}$ ; $T_j = 25\text{ }^\circ\text{C}$ $I_{OUT} = 1\text{ A}$ ; $V_{CC} > 8\text{ V}$			160 320	mΩ mΩ
$I_S$	Supply current	Off-state; $V_{CC} = 13\text{ V}$ ; $V_{IN} = V_{OUT} = 0\text{ V}$		12	40	μA
		Off-state; $V_{CC} = 13\text{ V}$ ; $V_{IN} = V_{OUT} = 0\text{ V}$ ; $T_j = 25\text{ }^\circ\text{C}$		12	25	μA
		On-state; $V_{CC} = 13\text{ V}$ ; $V_{IN} = 5\text{ V}$ ; $I_{OUT} = 0\text{ A}$		5	7	mA
$I_{L(off1)}$	Off-state output current	$V_{IN} = V_{OUT} = 0\text{ V}$	0		50	μA
$I_{L(off2)}$	Off-state output current	$V_{IN} = 0\text{ V}$ ; $V_{OUT} = 3.5\text{ V}$	-75		0	μA
$I_{L(off3)}$	Off-state output current	$V_{IN} = V_{OUT} = 0\text{ V}$ ; $V_{CC} = 13\text{ V}$ ; $T_j = 125\text{ }^\circ\text{C}$			5	μA
$I_{L(off4)}$	Off-state output current	$V_{IN} = V_{OUT} = 0\text{ V}$ ; $V_{CC} = 13\text{ V}$ ; $T_j = 25\text{ }^\circ\text{C}$			3	μA

1. Per island.

**Table 6. Protections<sup>(1)</sup>**

Symbol	Parameter	Test conditions	Min.	Typ.	Max.	Unit
$T_{TSD}$	Shutdown temperature		150	175	200	°C
$T_R$	Reset temperature		135			°C
$T_{hyst}$	Thermal hysteresis		7	15		°C
$t_{SDL}$	Status delay in overload conditions	$T_j > T_{TSD}$			20	μs
$I_{lim}$	Current limitation	$V_{CC} = 13\text{ V}$	3.5	5	7.5	A
		$5.5\text{ V} < V_{CC} < 36\text{ V}$			7.5	A
$V_{demag}$	Turn-off output clamp voltage	$I_{OUT} = 1\text{ A}; L = 6\text{ mH}$	$V_{CC}-41$	$V_{CC}-48$	$V_{CC}-55$	V

1. To ensure long term reliability under heavy overload or short circuit conditions, protection and related diagnostic signals must be used together with a proper software strategy. If the device is subjected to abnormal conditions, this software must limit the duration and number of activation cycles.

**Table 7.  $V_{CC}$  - output diode**

Symbol	Parameter	Test conditions	Min.	Typ.	Max.	Unit
$V_F$	Forward on voltage	$-I_{OUT} = 0.5\text{ A}; T_j = 150\text{ °C}$	-	-	0.6	V

**Table 8. Status pin**

Symbol	Parameter	Test conditions	Min.	Typ.	Max.	Unit
$V_{STAT}$	Status low output voltage	$I_{STAT} = 1.6\text{ mA}$			0.5	V
$I_{LSTAT}$	Status leakage current	Normal operation; $V_{STAT} = 5\text{ V}$			10	μA
$C_{STAT}$	Status pin Input capacitance	Normal operation; $V_{STAT} = 5\text{ V}$			100	pF
$V_{SCL}$	Status clamp voltage	$I_{STAT} = 1\text{ mA}$	6	6.8	8	V
		$I_{STAT} = -1\text{ mA}$		-0.7		V

**Table 9. Switching ( $V_{CC} = 13\text{ V}$ )**

Symbol	Parameter	Test conditions	Min.	Typ.	Max.	Unit
$t_{d(on)}$	Turn-on delay time	$R_L = 13\ \Omega$ from $V_{IN}$ rising edge to $V_{OUT} = 1.3\text{ V}$	-	30	-	μs
$t_{d(off)}$	Turn-off delay time	$R_L = 13\ \Omega$ from $V_{IN}$ falling edge to $V_{OUT} = 11.7\text{ V}$	-	30	-	μs
$dV_{OUT}/dt_{(on)}$	Turn-on voltage slope	$R_L = 13\ \Omega$ from $V_{OUT} = 1.3\text{ V}$ to $V_{OUT} = 10.4\text{ V}$	-	See Figure 10	-	V/μs
$dV_{OUT}/dt_{(off)}$	Turn-off voltage slope	$R_L = 13\ \Omega$ from $V_{OUT} = 11.7\text{ V}$ to $V_{OUT} = 1.3\text{ V}$	-	See Figure 12	-	V/μs

**Table 10. Open-load detection**

Symbol	Parameter	Test conditions	Min.	Typ.	Max.	Unit
$I_{OL}$	Open-load on-state detection threshold	$V_{IN} = 5\text{ V}$	20	40	80	mA
$t_{DOL(on)}$	Open-load on-state detection delay	$I_{OUT} = 0\text{ A}$			200	$\mu\text{s}$
$V_{OL}$	Open-load off-state voltage detection threshold	$V_{IN} = 0\text{ V}$	1.5	2.5	3.5	V
$t_{DOL(off)}$	Open-load detection delay at turn-off				1000	$\mu\text{s}$

**Table 11. Logic inputs**

Symbol	Parameter	Test conditions	Min.	Typ.	Max.	Unit
$V_{IL}$	Input low level				1.25	V
$I_{IL}$	Low level input current	$V_{IN} = 1.25\text{ V}$	1			$\mu\text{A}$
$V_{IH}$	Input high level		3.25			V
$I_{IH}$	High level input current	$V_{IN} = 3.25\text{ V}$			10	$\mu\text{A}$
$V_{I(hyst)}$	Input hysteresis voltage		0.5			V
$V_{ICL}$	Input clamp voltage	$I_{IN} = 1\text{ mA}$	6	6.8	8	V
		$I_{IN} = -1\text{ mA}$		-0.7		V

**Figure 4. Status timings**

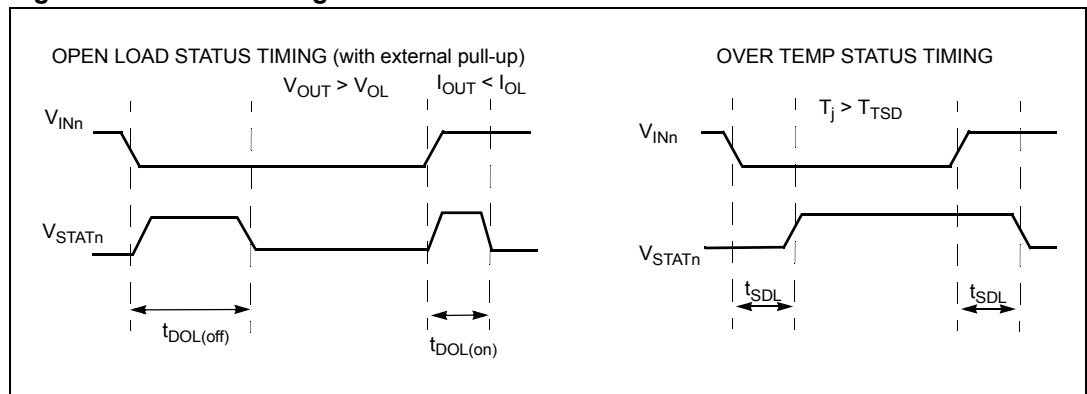


Figure 5. Switching time Waveforms

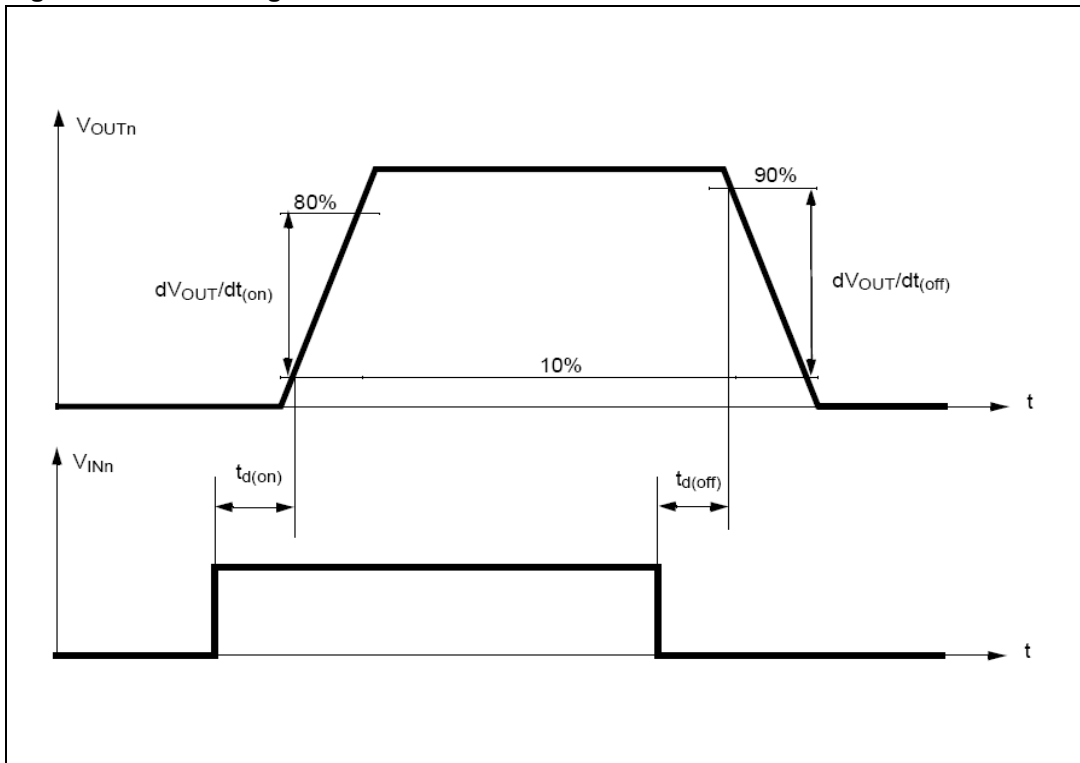


Table 12. Truth table

Conditions	Input	Output	Sense
Normal operation	L	L	H
	H	H	H
Current limitation	L	L	H
	H	X	( $T_j < T_{TSD}$ ) H ( $T_j > T_{TSD}$ ) L
Overtemperature	L	L	H
	H	L	L
Undervoltage	L	L	X
	H	L	X
Overvoltage	L	L	H
	H	L	H
Output voltage > $V_{OL}$	L	H	L
	H	H	H
Output current < $I_{OL}$	L	L	H
	H	H	L

**Table 13. Electrical transient requirements on V<sub>CC</sub> pin (part 1/3)**

ISO T/R 7637/1 Test pulse	Test levels				Delays and impedance
	I	II	III	IV	
1	- 25V	- 50V	- 75V	- 100V	2ms, 10Ω
2	+ 25V	+ 50V	+ 75V	+ 100V	0.2ms, 10Ω
3a	- 25V	- 50V	- 100V	- 150V	0.1μs, 50Ω
3b	+ 25V	+ 50V	+ 75V	+ 100V	0.1μs, 50Ω
4	- 4V	- 5V	- 6V	- 7V	100ms, 0.01Ω
5	+ 26.5V	+ 46.5V	+ 66.5V	+ 86.5V	400ms, 2Ω

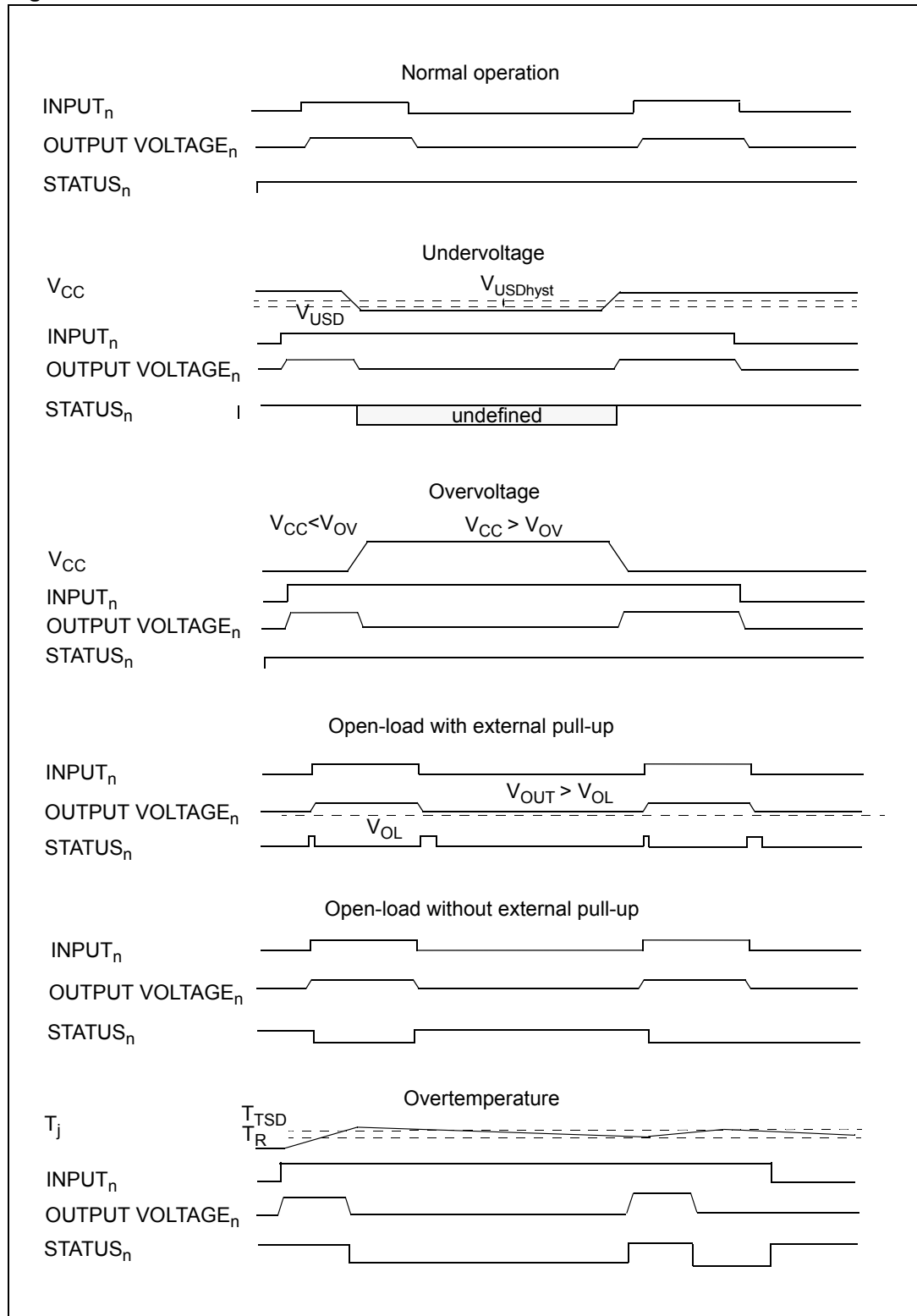
**Table 14. Electrical transient requirements on V<sub>CC</sub> pin (part 2/3)**

ISO T/R 7637/1 Test pulse	Test levels results			
	I	II	III	IV
1	C	C	C	C
2	C	C	C	C
3a	C	C	C	C
3b	C	C	C	C
4	C	C	C	C
5	C	E	E	E

**Table 15. Electrical transient requirements on V<sub>CC</sub> pin (part 3/3)**

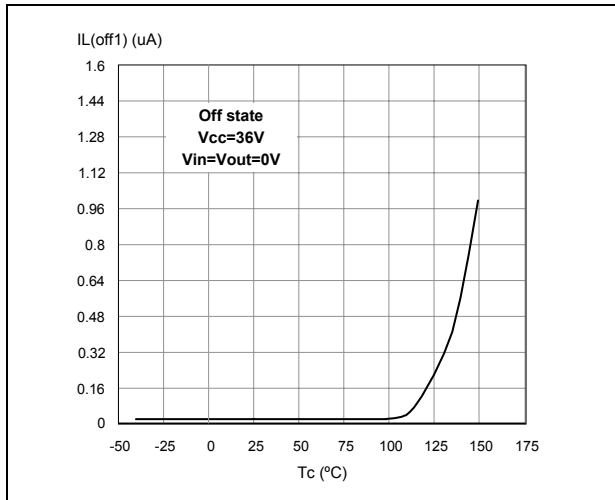
Class	Contents
C	All functions of the device are performed as designed after exposure to disturbance.
E	One or more functions of the device is not performed as designed after exposure and cannot be returned to proper operation without replacing the device.

Figure 6. Waveforms

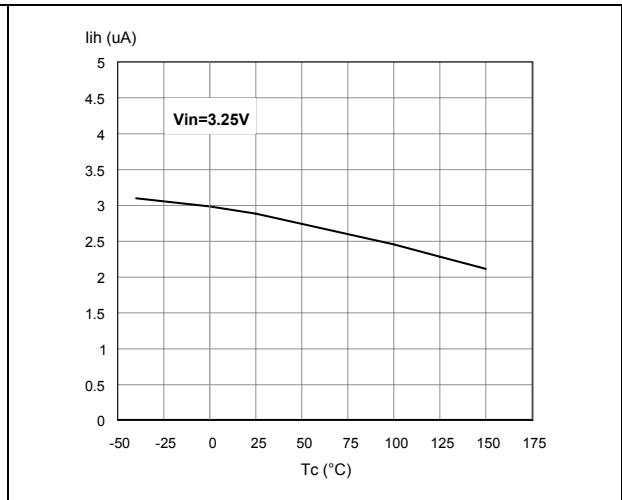


## 2.4 Electrical characteristics curves

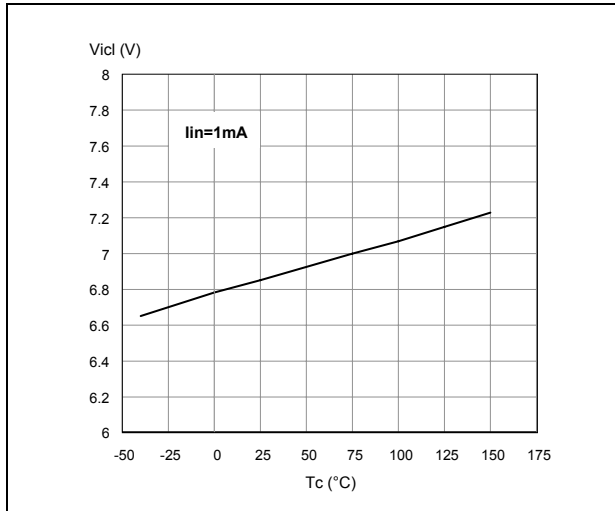
**Figure 7. Off-state output current**



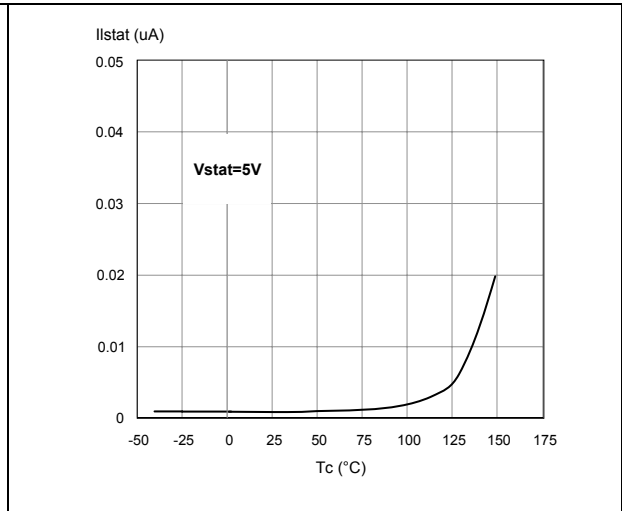
**Figure 8. High level input current**



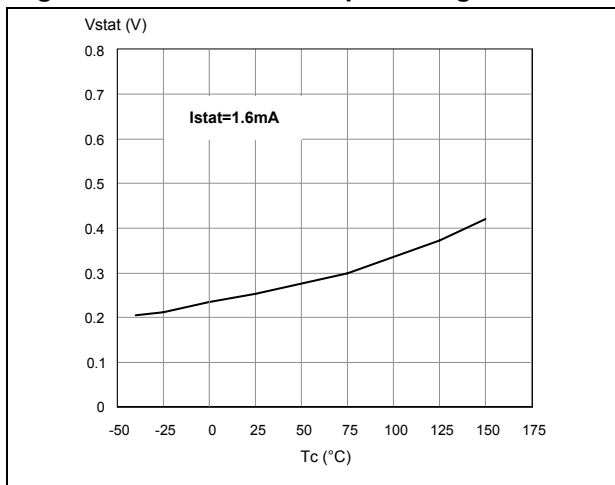
**Figure 9. Input clamp voltage**



**Figure 10. Status leakage current**



**Figure 11. Status low output voltage**



**Figure 12. Status clamp voltage**

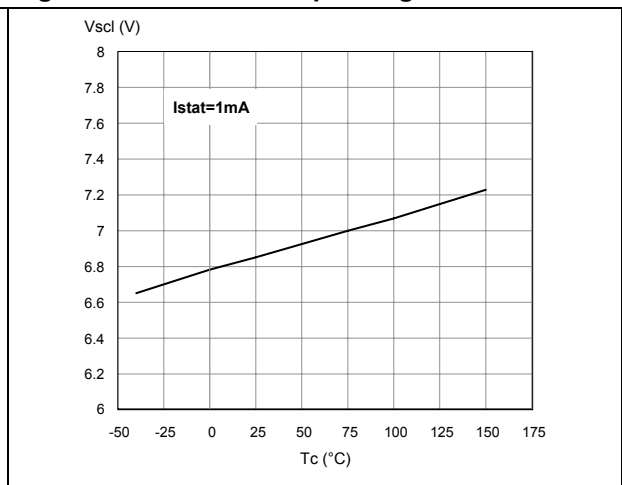


Figure 13. Overvoltage shutdown

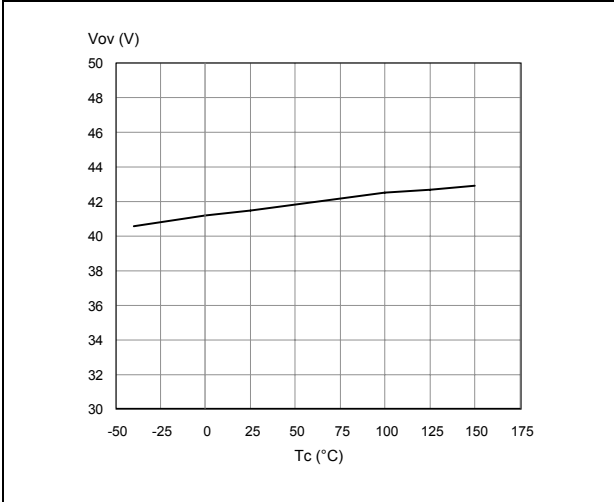


Figure 14. I<sub>LIM</sub> vs T<sub>case</sub>

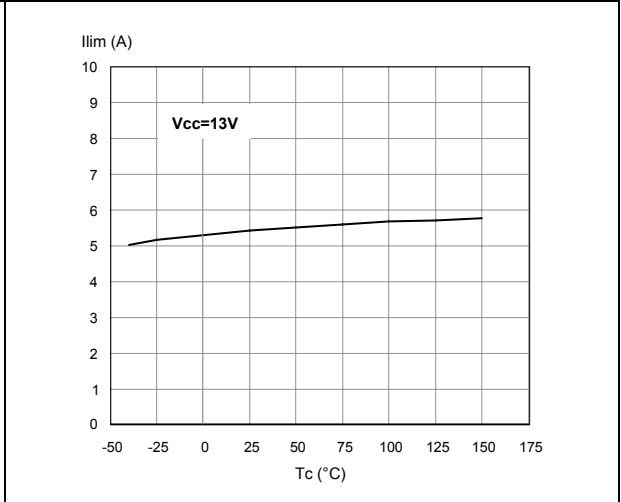


Figure 15. Turn-on voltage slope

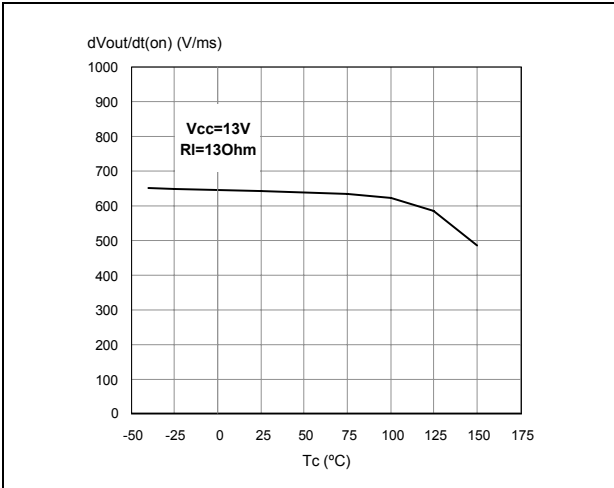


Figure 16. Turn-off voltage slope

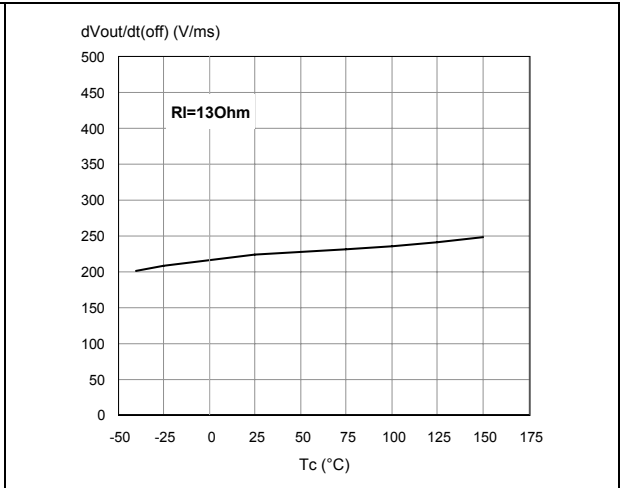


Figure 17. On-state resistance vs T<sub>case</sub>

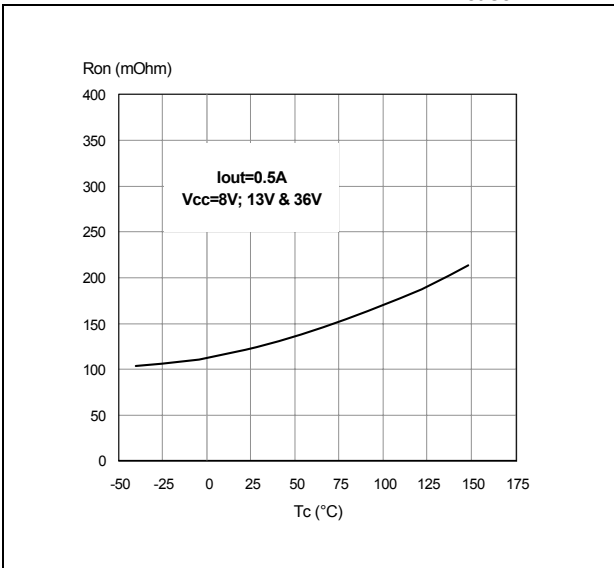


Figure 18. On-state resistance vs V<sub>CC</sub>

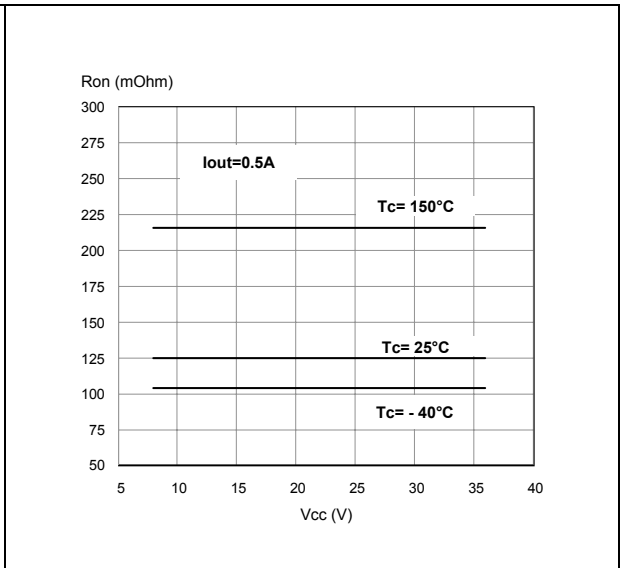


Figure 19. Input high level

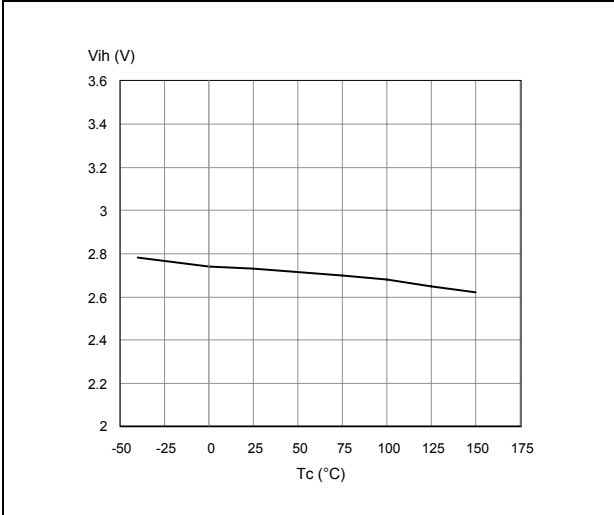


Figure 20. Input low level

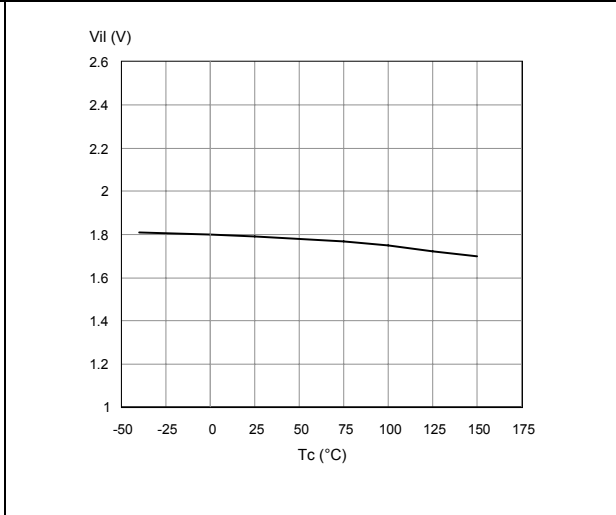


Figure 21. Open-load on-state detection threshold

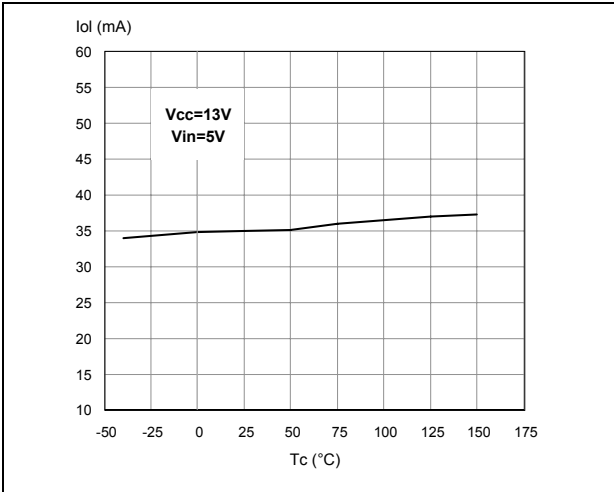


Figure 22. Open-load off-state voltage detection threshold

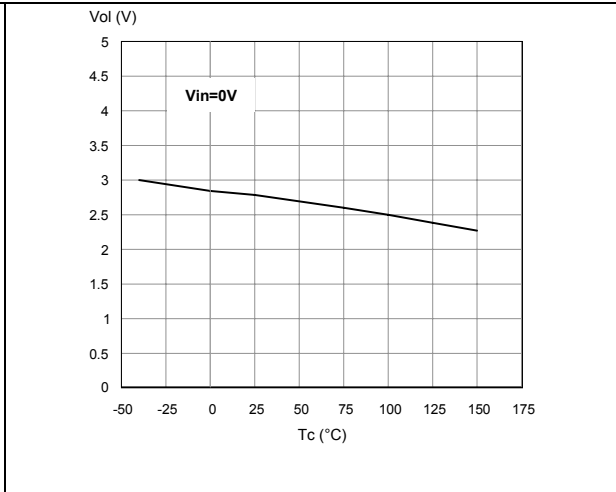
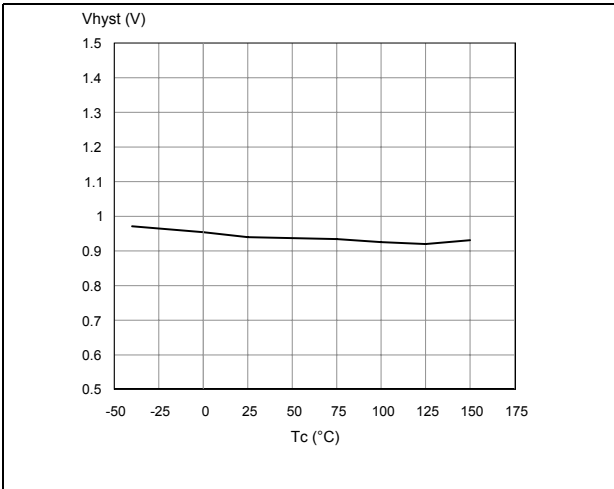
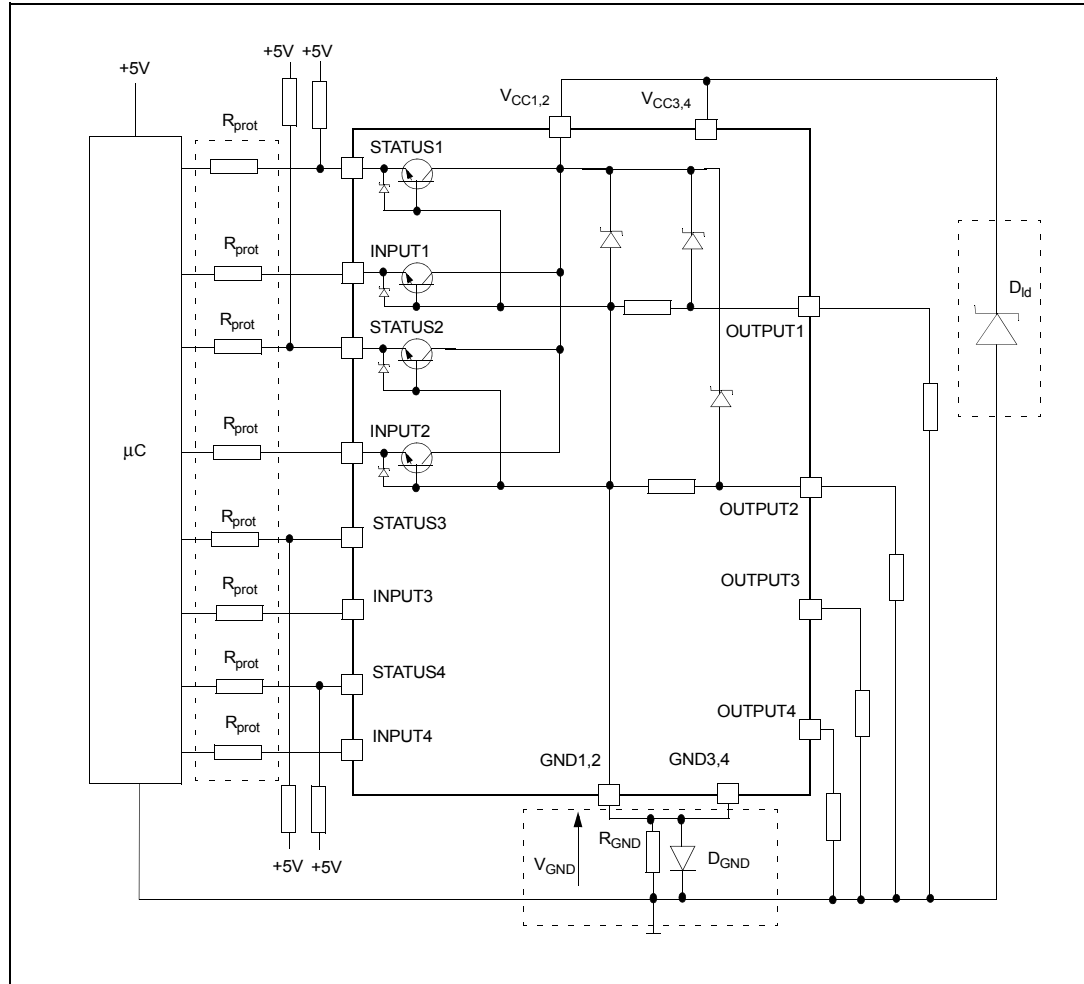


Figure 23. Input hysteresis voltage



### 3 Application information

Figure 24. Application schematic



Note: Channels 3 and 4 have the same internal circuit as channel 1 and 2.

#### 3.1 GND protection network against reverse battery

This section provides two solutions for implementing a ground protection network against reverse battery.

##### 3.1.1 Solution 1: a resistor in the ground line (R<sub>GND</sub> only)

It can be used with any type of load.

The following show how to dimension the R<sub>GND</sub> resistor:

**Equation 1**

$$R_{GND} \leq 600\text{mV} / 2 (I_{S(on)max})$$

**Equation 2**

$$R_{GND} \geq (-V_{CC}) / (-I_{GND})$$

where  $-I_{GND}$  is the DC reverse ground pin current and can be found in the absolute maximum rating section of the device datasheet.

Power dissipation in  $R_{GND}$  (when  $V_{CC} < 0$  during reverse battery situations) is:

$$P_D = (-V_{CC})^2 / R_{GND}$$

This resistor can be shared amongst several different HSDs. Please note that the value of this resistor should be calculated with [Equation 1](#) where  $I_{S(on)max}$  becomes the sum of the maximum on-state currents of the different devices.

Please note that, if the microprocessor ground is not shared by the device ground, then the  $R_{GND}$  produces a shift ( $I_{S(on)max} * R_{GND}$ ) in the input thresholds and the status output values. This shift varies depending on how many devices are ON in the case of several high side drivers sharing the same  $R_{GND}$ .

If the calculated power dissipation requires the use of a large resistor, or several devices have to share the same resistor, then ST suggests using solution 2 below.

**3.1.2 Solution 2: a diode ( $D_{GND}$ ) in the ground line**

A resistor ( $R_{GND} = 1k\Omega$ ) should be inserted in parallel to  $D_{GND}$  if the device is driving an inductive load. This small signal diode can be safely shared amongst several different HSD. Also in this case, the presence of the ground network produces a shift ( $\approx 600mV$ ) in the input threshold and the status output values if the microprocessor ground is not common with the device ground. This shift not varies if more than one HSD shares the same diode/resistor network. Series resistor in INPUT and STATUS lines are also required to prevent that, during battery voltage transient, the current exceeds the Absolute Maximum Rating. Safest configuration for unused INPUT and STATUS pin is to leave them unconnected.

**3.2 Load dump protection**

$D_{ld}$  is necessary (voltage transient suppressor) if the load dump peak voltage exceeds the  $V_{CC}$  maximum DC rating. The same applies if the device is subject to transients on the  $V_{CC}$  line that are greater than those shown in the ISO T/R 7637/1 table.

**3.3 MCU I/O protection**

If a ground protection network is used and negative transients are present on the  $V_{CC}$  line, the control pins are pulled negative. ST suggests to insert a resistor ( $R_{prot}$ ) in line to prevent the microcontroller I/O pins from latching up.

The value of these resistors is a compromise between the leakage current of microcontroller and the current required by the HSD I/Os (Input levels compatibility) with the latch-up limit of microcontroller I/Os:

$$-V_{CCpeak} / I_{latchup} \leq R_{prot} \leq (V_{OH\mu C} - V_{IH} - V_{GND}) / I_{IHmax}$$

**Example**

For the following conditions:

$$V_{CCpeak} = - 100 \text{ V}$$

$$I_{latchup} \geq 20 \text{ mA}$$

$$V_{OH\mu C} \geq 4.5 \text{ V}$$

$$5 \text{ k}\Omega \leq R_{prot} \leq 65 \text{ k}\Omega$$

Recommended values are:

$$R_{prot} = 10 \text{ k}\Omega$$

**3.4 Open-load detection in off-state**

Off-state open-load detection requires an external pull-up resistor ( $R_{PU}$ ) connected between output pin and a positive supply voltage ( $V_{PU}$ ) like the +5V line used to supply the microprocessor.

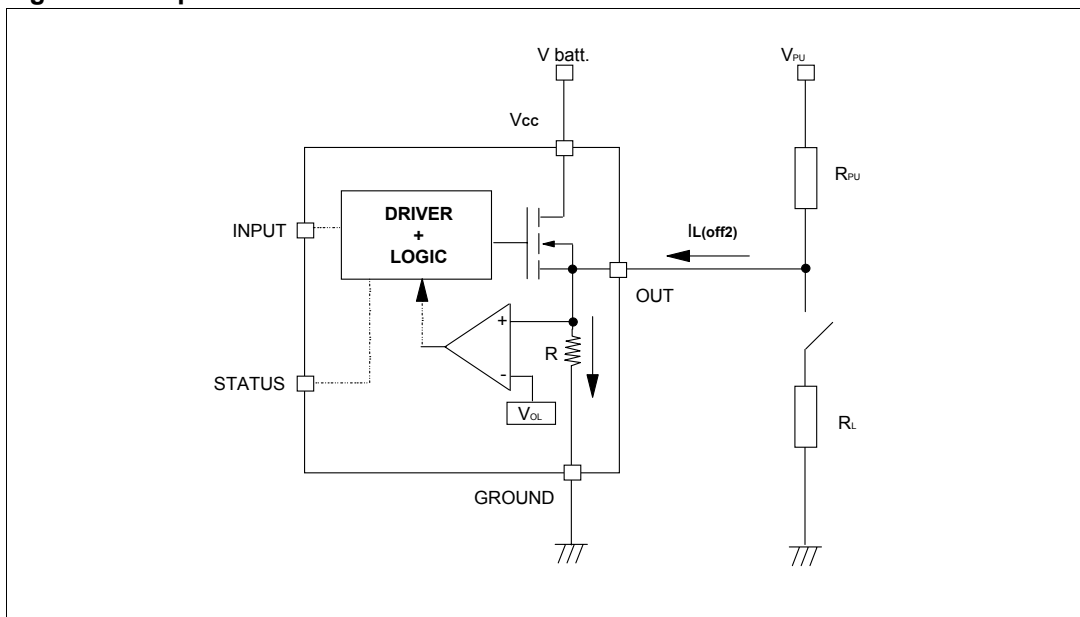
The external resistor has to be selected according to the following requirements:

1. No false open-load indication when load is connected: in this case we have to avoid  $V_{OUT}$  to be higher than  $V_{OLmin}$ ; this results in the following condition  $V_{OUT} = (V_{PU} / (R_L + R_{PU}))R_L < V_{OLmin}$ .
2. No misdetection when load is disconnected: in this case the  $V_{OUT}$  has to be higher than  $V_{OLmax}$ ; this results in the following condition  $R_{PU} < (V_{PU} - V_{OLmax}) / I_{L(off2)}$ .

Because  $I_{s(OFF)}$  may significantly increase if  $V_{out}$  is pulled high (up to several mA), the pull-up resistor  $R_{PU}$  should be connected to a supply that is switched OFF when the module is in standby.

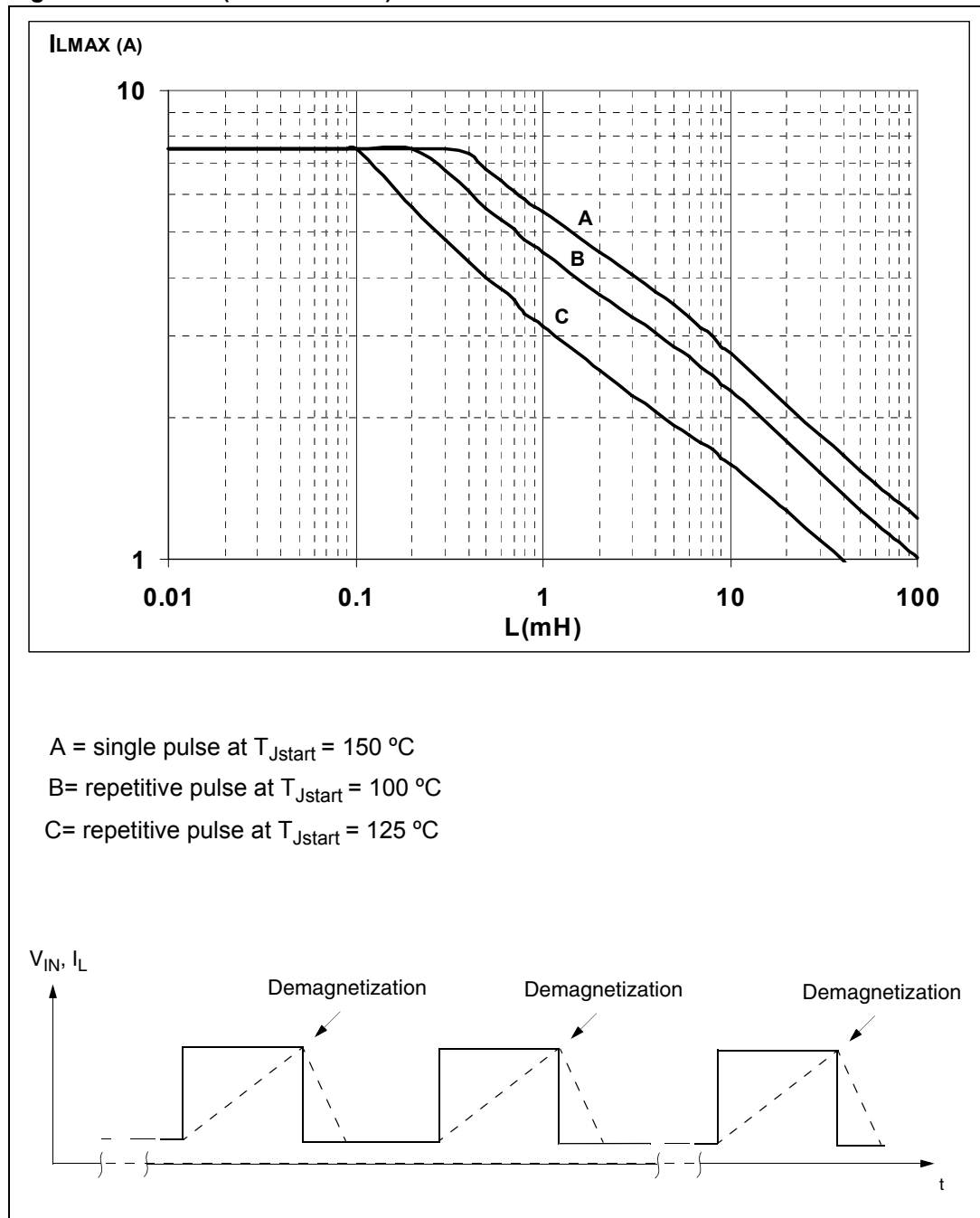
The values of  $V_{OLmin}$ ,  $V_{OLmax}$  and  $I_{L(off2)}$  are available in [Section 2.3: Electrical characteristics](#).

**Figure 25. Open-load detection in off-state**



### 3.5 Maximum demagnetization energy ( $V_{CC} = 13.5V$ )

Figure 26. SO-28 (double island) maximum turn-off current versus load inductance

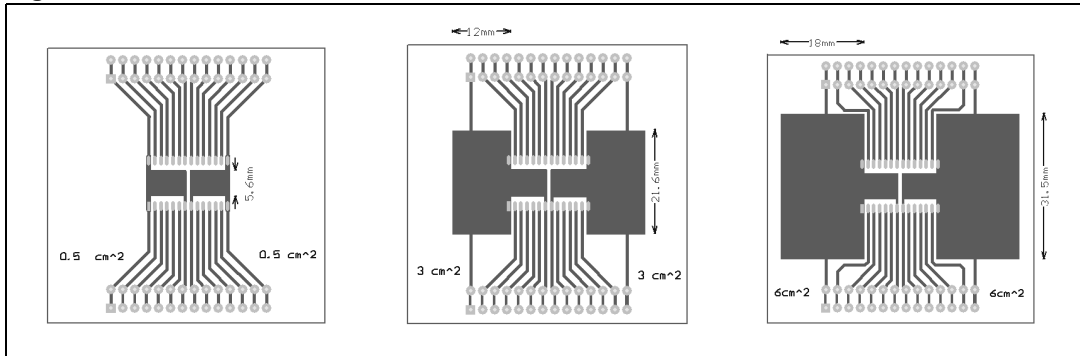


Note: Values are generated with  $R_L = 0\Omega$ .  
 In case of repetitive pulses,  $T_{Jstart}$  (at beginning of each demagnetization) of every pulse must not exceed the temperature specified above for curves B and C.

## 4 Package and PCB thermal data

### 4.1 SO-28 thermal data

Figure 27. SO-28 double island PC board



Note: Layout condition of  $R_{th}$  and  $Z_{th}$  measurements (PCB FR4 area = 58 mm x 58 mm, PCB thickness = 2 mm, Cu thickness = 35  $\mu$ m, Copper areas: 0.5 cm<sup>2</sup>, 3 cm<sup>2</sup>, 6 cm<sup>2</sup>).

Table 16. Thermal calculation according to the PCB heatsink area

Chip 1	Chip 2	$T_{jchip1}$	$T_{jchip2}$	Note
ON	OFF	$R_{thA} \times P_{dchip1} + T_{amb}$	$R_{thC} \times P_{dchip1} + T_{amb}$	
OFF	ON	$R_{thC} \times P_{dchip2} + T_{amb}$	$R_{thA} \times P_{dchip2} + T_{amb}$	
ON	ON	$R_{thB} \times (P_{dchip1} + P_{dchip2}) + T_{amb}$	$R_{thB} \times (P_{dchip1} + P_{dchip2}) + T_{amb}$	$P_{dchip1} = P_{dchip2}$
ON	ON	$(R_{thA} \times P_{dchip1}) + R_{thC} \times P_{dchip2} + T_{amb}$	$(R_{thA} \times P_{dchip2}) + R_{thC} \times P_{dchip1} + T_{amb}$	$P_{dchip1} \neq P_{dchip2}$

$R_{thA}$  = thermal resistance junction to ambient with one chip ON

$R_{thB}$  = thermal resistance junction to ambient with both chips ON and  $P_{dchip1} = P_{dchip2}$

$R_{thC}$  = mutual thermal resistance

Figure 28.  $R_{thj-amb}$  vs PCB copper area in open box free air condition

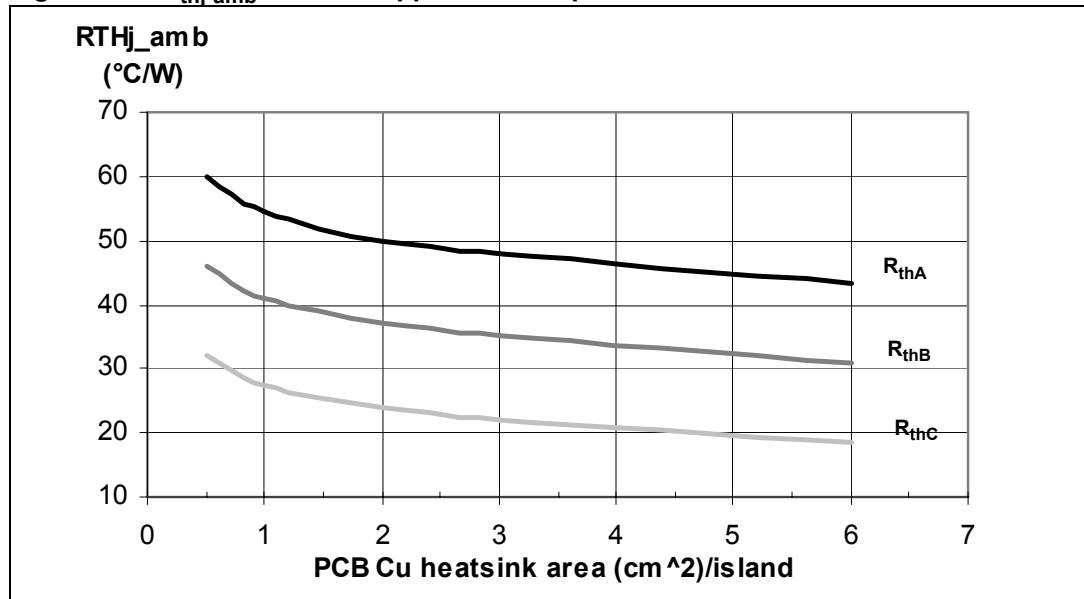
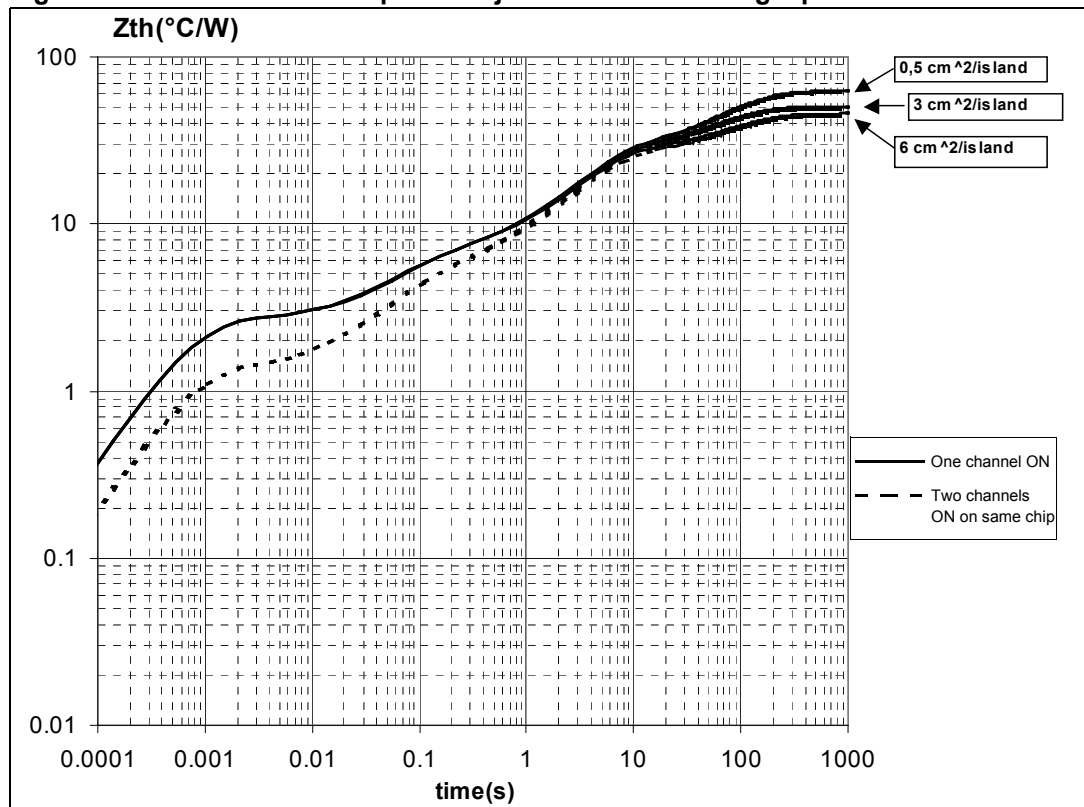


Figure 29. SO-28 thermal impedance junction ambient single pulse



Equation 3: pulse calculation formula

$$Z_{TH\delta} = R_{TH} \cdot \delta + Z_{THtp}(1 - \delta)$$

where  $\delta = t_p/T$

Figure 30. Thermal fitting model of a quad channel HSD in SO-28

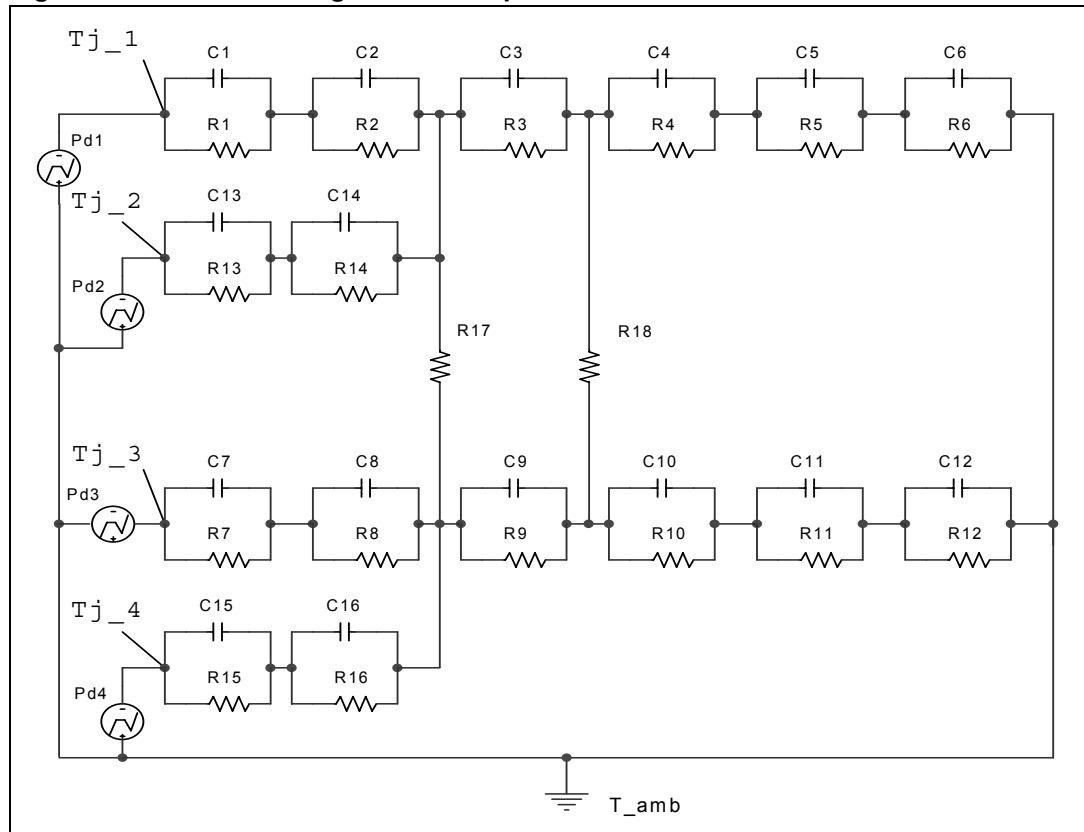


Table 17. Thermal parameters

Area / island (cm <sup>2</sup> )	0.5	6
R1 = R7 = R13 = R15 (°C/W)	0.35	
R2 = R8 = R14 = R16 (°C/W)	1.8	
R3 = R9 (°C/W)	4.5	
R4 = R10 (°C/W)	11	
R5 = R11 (°C/W)	15	
R6 = R12 (°C/W)	30	13
C1 = C7 = C13 = C15 (W.s/°C)	0.0001	
C2 = C8 = C14 = C16 (W.s/°C)	7E-04	
C3 = C9 (W.s/°C)	6E-03	
C4 = C10 (W.s/°C)	0.2	
C5 = C11 (W.s/°C)	1.5	
C6 = C12 (W.s/°C)	5	8
R17 = R18 (°C/W)	150	

## 5 Package and packing information

### 5.1 ECOPACK® packages

In order to meet environmental requirements, ST offers these devices in different grades of ECOPACK® packages, depending on their level of environmental compliance. ECOPACK® specifications, grade definitions and product status are available at: [www.st.com](http://www.st.com).

ECOPACK® is an ST trademark.

### 5.2 SO-28 package information

Figure 31. SO-28 package dimensions

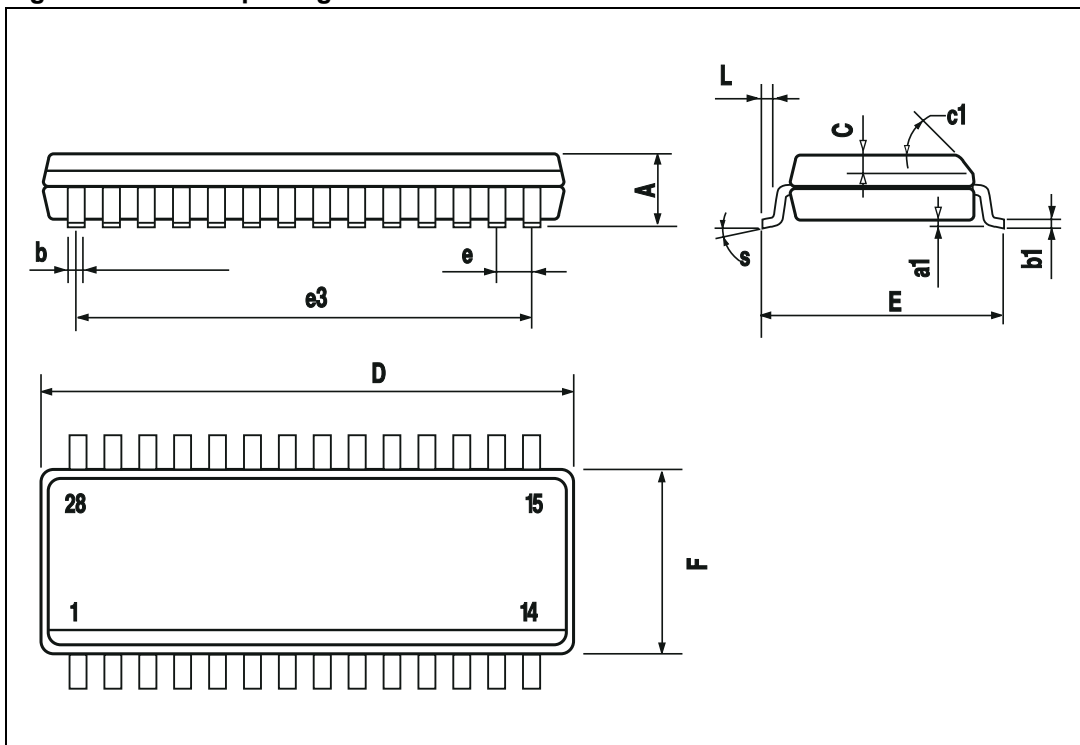


Table 18. SO-28 mechanical data

Symbol	Millimeters		
	Min.	Typ.	Max.
A			2.65
a1	0.10		0.30
b	0.35		0.49
b1	0.23		0.32
C		0.50	
c1	45° (typ.)		
D	17.7		18.1
E	10.00		10.65
e		1.27	
e3		16.51	
F	7.40		7.60
L	0.40		1.27
S	8° (max.)		

### 5.3 SO-28 packing information

Figure 32. SO-28 tube shipment (no suffix)

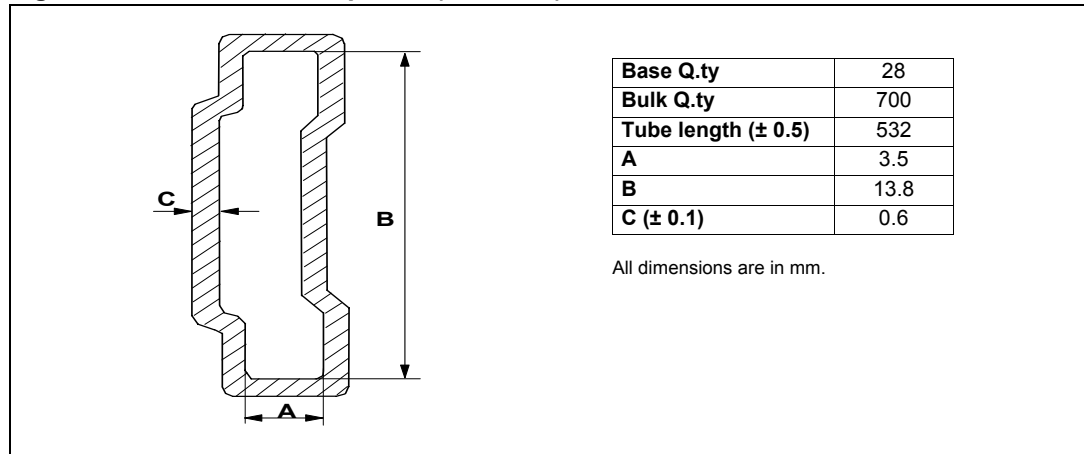
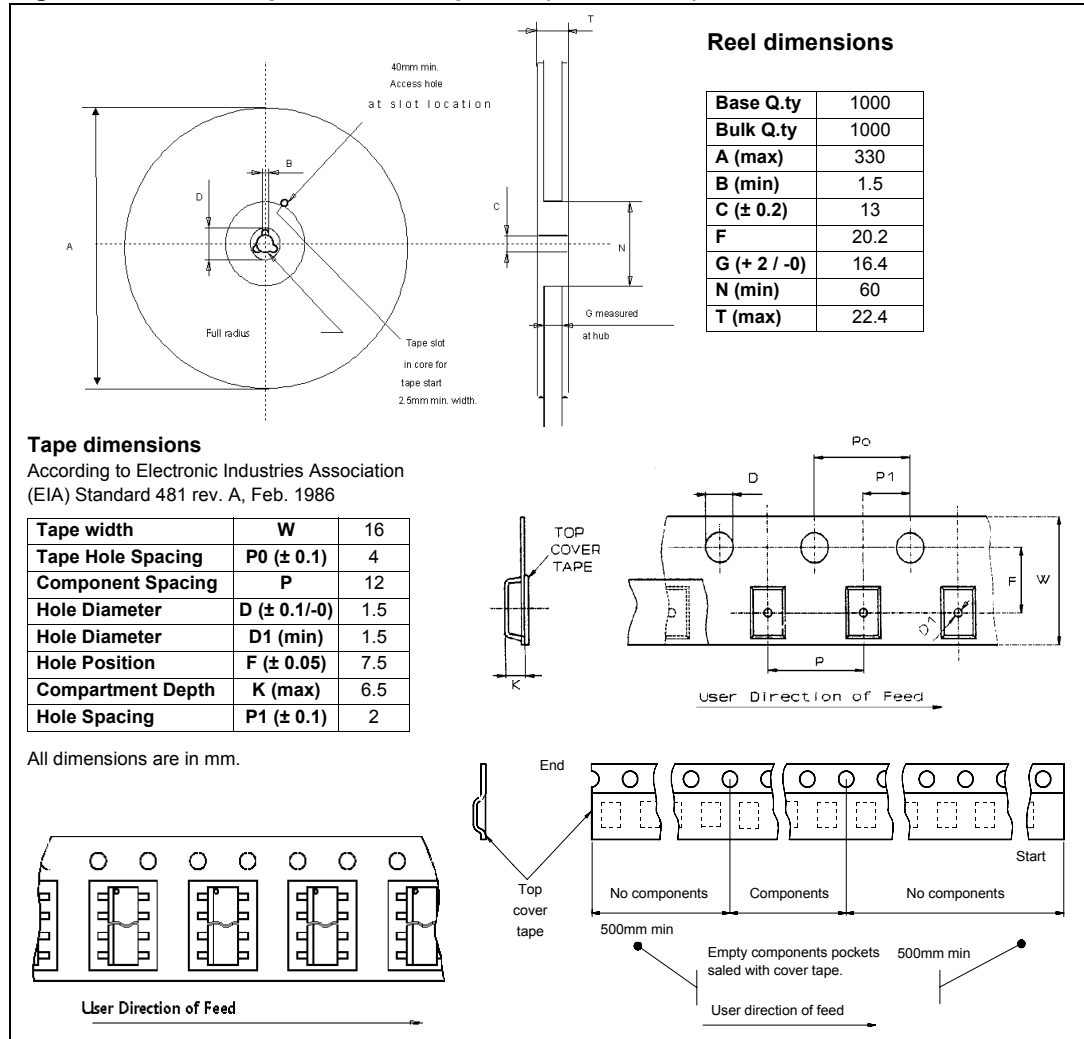


Figure 33. SO-28 tape and reel shipment (suffix "TR")



## 6 Revision history

Table 19. Document revision history

Date	Revision	Changes
27-Apr-2010	1	Initial release.

**Please Read Carefully:**

Information in this document is provided solely in connection with ST products. STMicroelectronics NV and its subsidiaries ("ST") reserve the right to make changes, corrections, modifications or improvements, to this document, and the products and services described herein at any time, without notice.

All ST products are sold pursuant to ST's terms and conditions of sale.

Purchasers are solely responsible for the choice, selection and use of the ST products and services described herein, and ST assumes no liability whatsoever relating to the choice, selection or use of the ST products and services described herein.

No license, express or implied, by estoppel or otherwise, to any intellectual property rights is granted under this document. If any part of this document refers to any third party products or services it shall not be deemed a license grant by ST for the use of such third party products or services, or any intellectual property contained therein or considered as a warranty covering the use in any manner whatsoever of such third party products or services or any intellectual property contained therein.

**UNLESS OTHERWISE SET FORTH IN ST'S TERMS AND CONDITIONS OF SALE ST DISCLAIMS ANY EXPRESS OR IMPLIED WARRANTY WITH RESPECT TO THE USE AND/OR SALE OF ST PRODUCTS INCLUDING WITHOUT LIMITATION IMPLIED WARRANTIES OF MERCHANTABILITY, FITNESS FOR A PARTICULAR PURPOSE (AND THEIR EQUIVALENTS UNDER THE LAWS OF ANY JURISDICTION), OR INFRINGEMENT OF ANY PATENT, COPYRIGHT OR OTHER INTELLECTUAL PROPERTY RIGHT.**

**UNLESS EXPRESSLY APPROVED IN WRITING BY AN AUTHORIZED ST REPRESENTATIVE, ST PRODUCTS ARE NOT RECOMMENDED, AUTHORIZED OR WARRANTED FOR USE IN MILITARY, AIR CRAFT, SPACE, LIFE SAVING, OR LIFE SUSTAINING APPLICATIONS, NOR IN PRODUCTS OR SYSTEMS WHERE FAILURE OR MALFUNCTION MAY RESULT IN PERSONAL INJURY, DEATH, OR SEVERE PROPERTY OR ENVIRONMENTAL DAMAGE. ST PRODUCTS WHICH ARE NOT SPECIFIED AS "AUTOMOTIVE GRADE" MAY ONLY BE USED IN AUTOMOTIVE APPLICATIONS AT USER'S OWN RISK.**

Resale of ST products with provisions different from the statements and/or technical features set forth in this document shall immediately void any warranty granted by ST for the ST product or service described herein and shall not create or extend in any manner whatsoever, any liability of ST.

ST and the ST logo are trademarks or registered trademarks of ST in various countries.

Information in this document supersedes and replaces all information previously supplied.

The ST logo is a registered trademark of STMicroelectronics. All other names are the property of their respective owners.

© 2010 STMicroelectronics - All rights reserved

STMicroelectronics group of companies

Australia - Belgium - Brazil - Canada - China - Czech Republic - Finland - France - Germany - Hong Kong - India - Israel - Italy - Japan - Malaysia - Malta - Morocco - Philippines - Singapore - Spain - Sweden - Switzerland - United Kingdom - United States of America

[www.st.com](http://www.st.com)