




FEATURES

- Active cell balancing
- Rugged, fully enclosed system
- 16.2V working voltage
- Screw terminals
- Module-to-module cable included
- RoHS compliant
- UL recognized cells 

APPLICATIONS

- Automotive subsystems
- Heavy duty vehicle subsystems
- Windmill pitch control systems
- Wireless transmission



PART NUMBERING

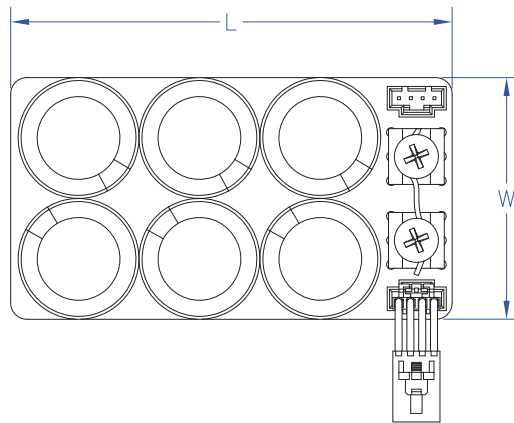
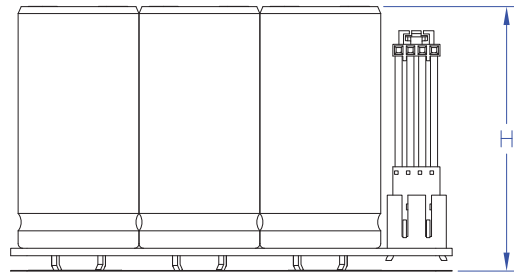
Type	Capacitance (F)	Module Voltage
PBL	25	16.2

SPECIFICATIONS

Item	Performance		
Operating temperature	-40°C to +65°C		
Storage temperature	-40°C to +70°C		
Rated voltage	16.2 VDC		
Surge voltage	17.1 VDC		
Capacitance	25F		
Capacitance tolerance	±20%		
Characteristics at low temperature	Capacitance Change	Within ±5% of initial measured value at +25°C(-40°C to +65°C)	
	Internal resistance	Within ±50% of initial measured value at +25°C(at -40°C)	
Lifetime at 25°C	10 years	Capacitance change	±30 % of initial rated value
		Internal resistance	Within 2 times of initial specified value
Cycle life at 25°C	500,000 cycles	Capacitance change	±30 % of initial rated value
		Internal resistance	Within 2 times of initial specified value
Endurance	After 1000 hours. application of rated voltage at 65°C, the capacitor shall meet the following limits:		
	Capacitance change	±30% of initial rated value	
	Internal resistance	Within 2 times of initial specified value	
Shelf life	After 1000 hours storage, at 70°C without load, the capacitor shall meet the specified endurance limits		



PBL-25/16.2



PRODUCT SPECIFICATIONS

Part Numbers	CAP (F)	ESR/DC (m ohm)	ESR/AC 1 kHz (m ohm)	Leakage Current (mA/72 hrs)	L	W	H
PBL-25/16.2	25	86	50	0.53	95.0mm	52.0mm	57.0mm