

## Quad $\pm 90$ V, $\pm 2$ A, 3/5 levels, high speed ultrasound pulser

Datasheet — production data

### Features

- 0 to  $\pm 90$  V output voltage
- Up to 20 MHz operating frequency
- Embedded low-power, floating high-voltage drivers (external voltage rails can be also used)
- Mode operations:
  - 3/5-levels output waveform
  - $\pm 2$  A source and sink current
  - Down  $\leq 20$  ps jitter
  - Anti-cross conduction function
  - Low 2<sup>nd</sup> harmonic distortion
- Fully integrated clamping-to-ground function
  - 8  $\Omega$  synchronous active clamp
  - Anti-leakage on output node
- Dedicated half bridge for continuous wave (CW) operations
  - $\leq 0.1$  W power consumption
  - $\pm 0.6$  A source and sink current
  - $\leq 10$  ps jitter
- Fully integrated T/R switch
  - 13.5  $\Omega$  on resistance
  - HV MOS topology to minimize current consumption
  - Up to 300 MHz BW
  - Receiver multiplexing function
- 2.4 V to 3.6 V CMOS logic interface
- Auxiliary integrated circuits
  - Noise blocking diodes
  - Fully self-biasing architecture
  - Anti-memory effect for all internal HV nodes
  - Thermal protection
  - Standby function
- Latch-up free due to HV SOI technology
- Very few external passive components needed



### Applications

- Medical ultrasound imaging
- Pulse waveform generator
- NDT ultrasound transmission
- Piezoelectric transducers driver

### Description

This monolithic, high-voltage, high-speed pulser generator features four independent channels. It is designed for medical ultrasound imaging applications, but it can also be used for driving other piezoelectric, capacitive or MEMS based transducers. The STHV748 comprises a controller logic interface circuit, level translators, MOSFET gate drivers, noise blocking diodes, and high-power P-channel and N-channel MOSFETs as the output stage for each channel, clamping-to-ground circuitry, anti-leakage, anti-memory effect block, thermal sensor, and a T/R switch which guarantees an effective decoupling during the transmission phase. Moreover, the STHV748 includes self-biasing and thermal shutdown blocks. Each channel can support up to five active output levels with two half bridges. The output stage of each channel is able to provide  $\pm 2$  A peak output current. In order to reduce power dissipation during continuous wave mode, a dedicated half bridge is available and the peak current is limited to 0.6 A.

**Table 1. Device summary**

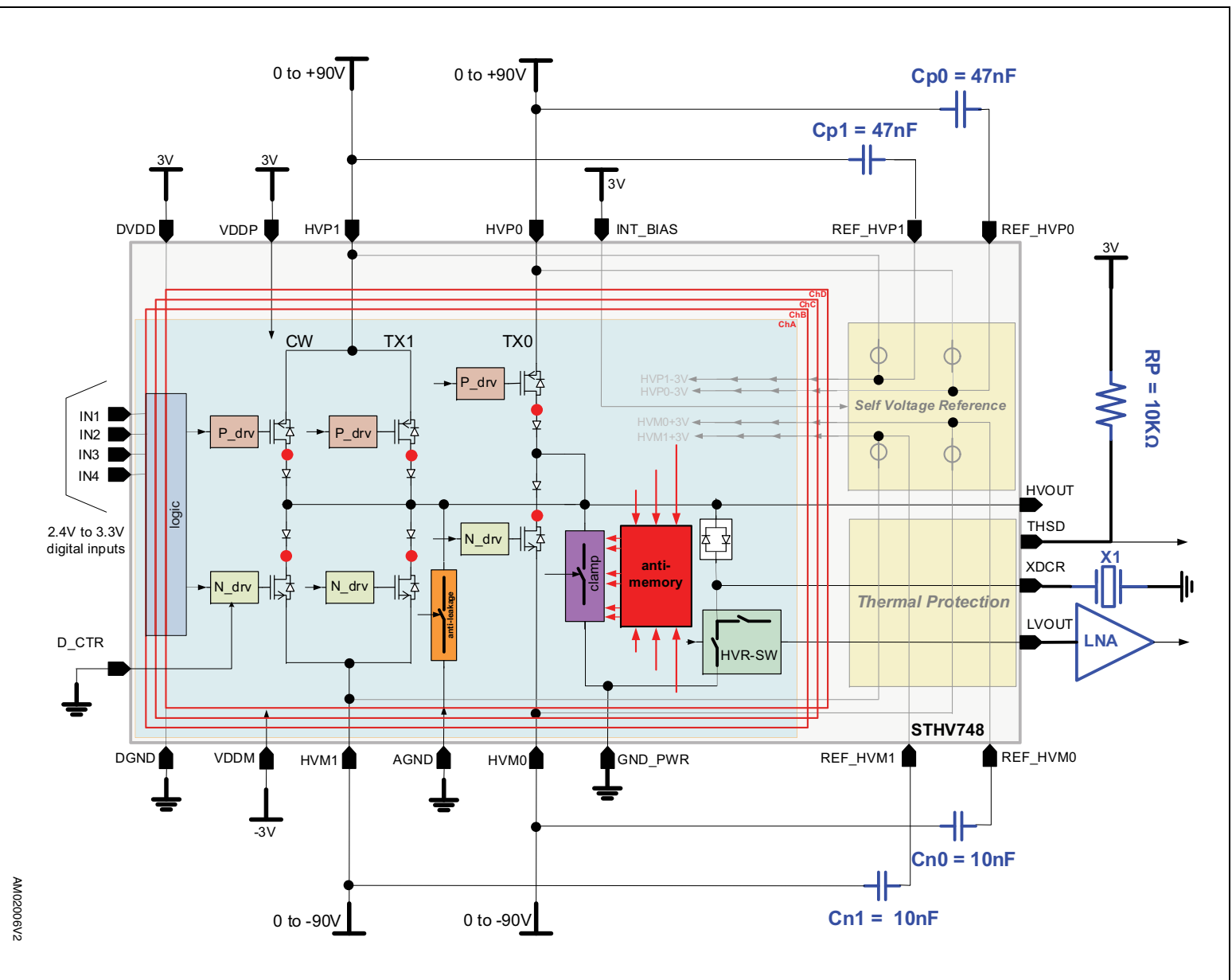
Order code	Package	Packaging
STHV748QTR	QFN64	Tape and reel

# Contents

- 1      Typical application circuit ..... 3**
- 2      Pin settings ..... 4**
  - 2.1    Connection ..... 4
  - 2.2    Description ..... 4
  - 2.3    Additional pin description ..... 6
- 3      Truth table and single channel block description ..... 8**
- 4      Power-up / Power-down voltage sequence ..... 9**
- 5      Electrical data ..... 10**
  - 5.1    Absolute maximum ratings ..... 10
- 6      Operating supply voltages and average currents ..... 11**
  - 6.1    Digital inputs ..... 11
  - 6.2    Output signals ..... 12
- 7      Electrical characteristics ..... 13**
- 8      Timings ..... 16**
- 9      Oscilloscope acquisitions ..... 21**
- 10     Package mechanical data ..... 24**
- 11     Revision history ..... 27**

# 1 Typical application circuit

Figure 1. Typical application circuit



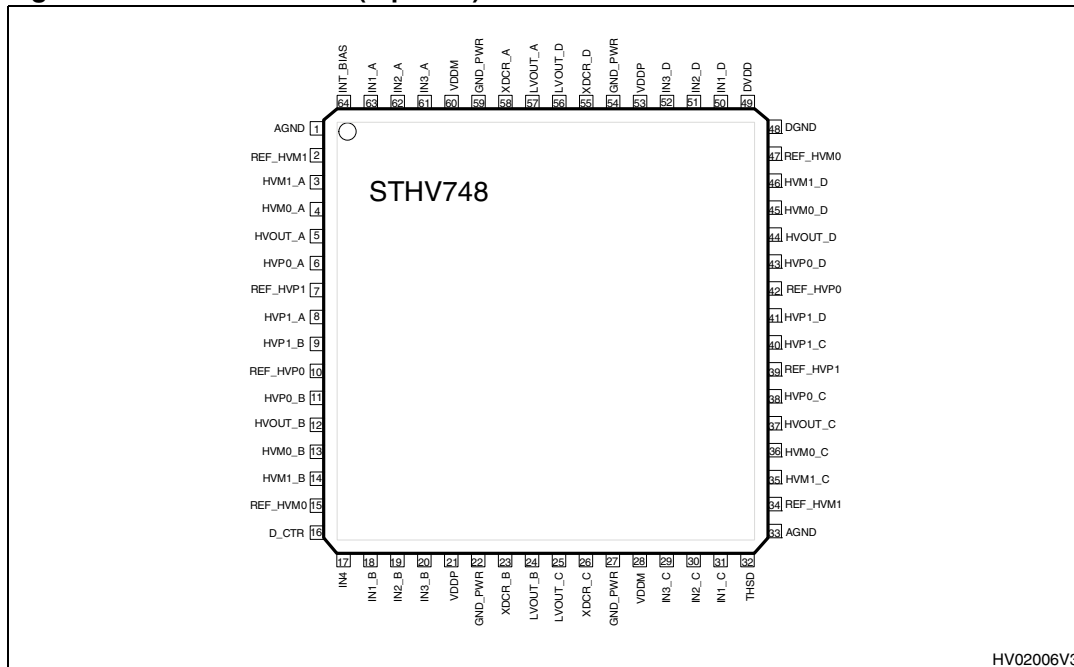
AM02006V2



## 2 Pin settings

### 2.1 Connection

Figure 2. Pin connection (top view)



HV02006V3

### 2.2 Description

Table 2. Pin description (P = power, A = analog, D = digital)

Pin N	Name	Function	IN/OUT	Type
1	AGND	Signal ground	I	A
2	REF_HVM1	Supply for low side 1 gate driver	I	P
3	HVM1_A	Negative high-voltage supply 1 channel A	I	P
4	HVM0_A	Negative high-voltage supply 0 channel A	I	P
5	HVOUT_A	Channel A, high-voltage output before noise blocking diodes	O	P
6	HVP0_A	Positive high-voltage supply 0 channel A	I	P
7	REF_HVP1	Supply for high side 1 gate driver	I	P
8	HVP1_A	Positive high-voltage supply 1 channel A	I	P
9	HVP1_B	Positive high-voltage supply 1 channel B	I	P
10	REF_HVP0	Supply for high side 0 gate driver	I	P
11	HVP0_B	Positive high-voltage supply 0 channel B	I	P

Table 2. Pin description (P = power, A = analog, D = digital) (continued)

Pin N	Name	Function	IN/OUT	Type
12	HVOUT_B	Channel B, high-voltage output before noise blocking diodes	O	P
13	HVM0_B	Negative high-voltage supply 0 channel B	I	P
14	HVM1_B	Negative high-voltage supply 1 channel B	I	P
15	REF_HVM0	Supply for low side 0 gate driver	I	P
16	D_CTR	Delay control	I	A
17	IN4	Input signal shared	I	D
18	IN1_B	Input signal channel B	I	D
19	IN2_B	Input signal channel B	I	D
20	IN3_B	Input signal channel B	I	D
21	VDDP	Positive low-voltage supply	I	A
22	GND_PWR	Power ground	I	P
23	XDCR_B	Channel B, high-voltage output	O	P
24	LVOUT_B	Channel B, low-voltage output	O	A
25	LVOUT_C	Channel C, low-voltage output	O	A
26	XDCR_C	Channel C, high-voltage output	O	P
27	GND_PWR	Power ground	I	P
28	VDDM	Negative low-voltage supply	I	A
29	IN3_C	Input signal channel C	I	D
30	IN2_C	Input signal channel C	I	D
31	IN1_C	Input signal channel C	I	D
32	THSD	Thermal shutdown pin	I/O	D
33	AGND	Signal ground	I	A
34	REF_HVM1	Supply for low side 1 gate driver	I	P
35	HVM1_C	Negative high-voltage supply 1 channel C	I	P
36	HVM0_C	Negative high-voltage supply 0 channel C	I	P
37	HVOUT_C	Channel C, high-voltage output before noise blocking diodes	O	P
38	HVP0_C	Positive high-voltage supply 0 channel C	I	P
39	REF_HVP1	Supply for high side 1 gate driver	I	P
40	HVP1_C	Positive high-voltage supply 1 channel C	I	P
41	HVP1_D	Positive high-voltage supply 1 channel D	I	P
42	REF_HVP0	Supply for high side 0 gate driver	I	P
43	HVP0_D	Positive high-voltage supply 0 channel D	I	P
44	HVOUT_D	Channel D, high-voltage output before noise blocking diodes	O	P

**Table 2. Pin description (P = power, A = analog, D = digital) (continued)**

Pin N	Name	Function	IN/OUT	Type
45	HVM0_D	Negative high-voltage supply 0 channel D	I	P
46	HVM1_D	Negative high-voltage supply 1 channel D	I	P
47	REF_HVM0	Supply for low side 0 gate driver	I	P
48	DGND	Logic ground	I	A
49	DVDD	Positive logic supply	I	A
50	IN1_D	Input signal channel D	I	D
51	IN2_D	Input signal channel D	I	D
52	IN3_D	Input signal channel D	I	D
53	VDDP	Positive low-voltage supply	I	A
54	GND_PWR	Power ground	I	P
55	XDCR_D	Channel D, high-voltage output	O	P
56	LVOUT_D	Channel D, low-voltage output	O	A
57	LVOUT_A	Channel A, low-voltage output	O	A
58	XDCR_A	Channel A, high-voltage output	O	P
59	GND_PWR	Power ground	I	P
60	VDDM	Negative low-voltage supply	I	A
61	IN3_A	Input signal channel A	I	D
62	IN2_A	Input signal channel A	I	D
63	IN1_A	Input signal channel A	I	D
64	INT_BIAS	Enable internal supply generators	I	D
	Exposed-Pad	Substrate	I	P

## 2.3 Additional pin description

The INT\_BIAS pin enables the internal reference generators. With INT\_BIAS=DVDD, the STHV748 internally generates the reference voltages on REF\_HVP1/0 (pin - 7, 10, 39, 42) and REF\_HVM1/0 (pin - 2, 15, 34, 47). These voltages are set at VDDP below HVP and respectively at:

- REF\_HVM# = HVM# + VDDP
- REF\_HVP# = HVP# - VDDP

After enabling INT\_BIAS, a period of time is needed to charge the external reference capacitors (about 30  $\mu$ s in a typical application).

Should INT\_BIAS=DGND, it is necessary to apply an external voltage reference to the REF\_HVM# and REF\_HVP# pins.

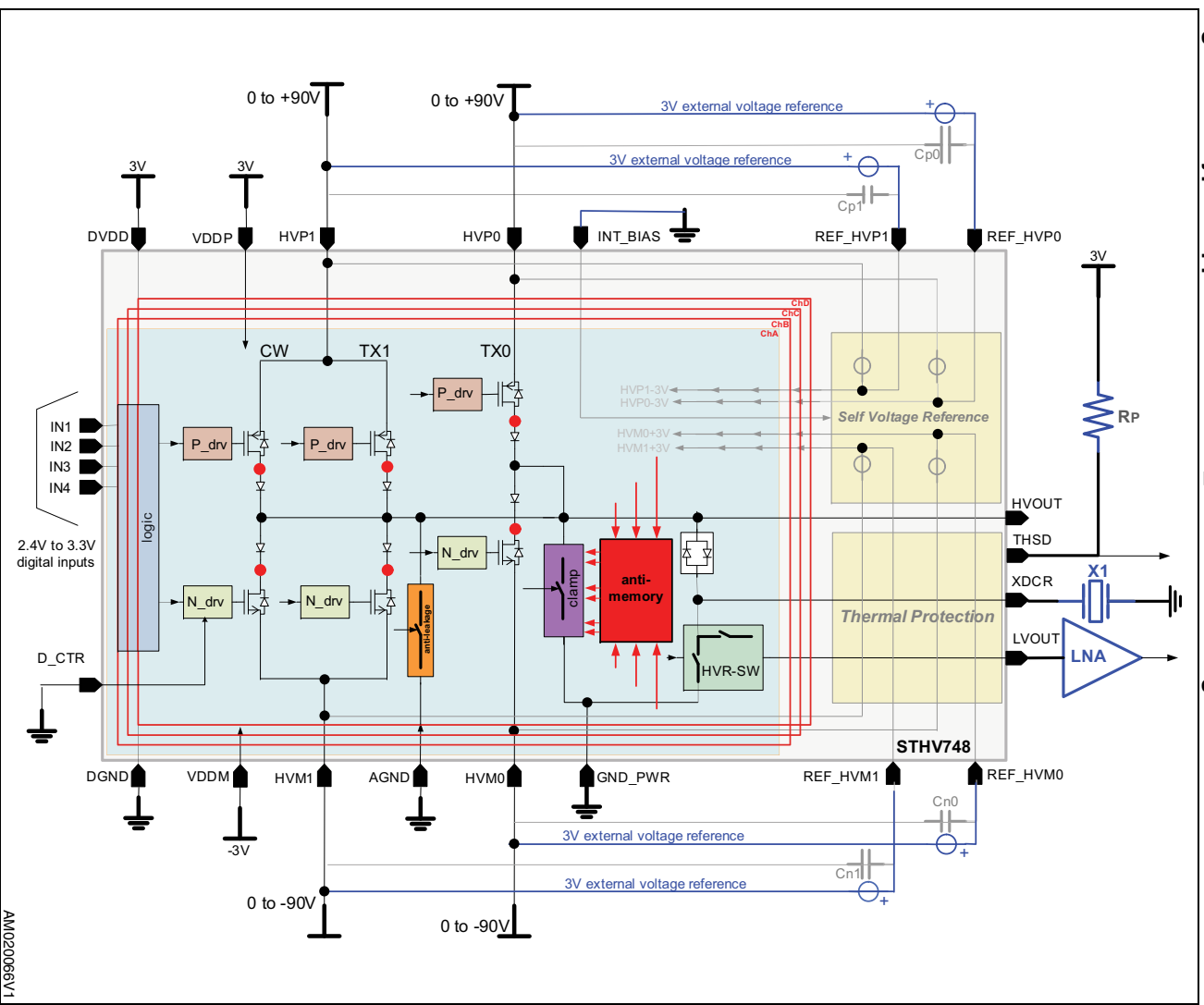
THSD is a thermal flag. Being the output stage of the THSD a Nch-MOS open-drain, an external pull-up resist or ( $R_p \geq 10 \text{ k}\Omega$ ) connected to a positive low-voltage supply (see [Figure 1](#)) is required. If the internal temperature surpasses 153 °C, THSD goes down and all STHV748 channels are in HZ state. The thermal protection can be disabled, by connecting

the THSD pin to a positive low voltage supply. THSD can be also shared among several STHV748 on the same PCB.

D\_CTR can be used to optimize 2<sup>nd</sup> HD performances by tuning the fall propagation delay (tdf - see [Table 9](#)). If D\_CTR is equal to ground, tdf has the nominal value. If D\_CTR is varied from 2 V to 4.2 V, tdf can be changed from -1 ns to +600 ps with respect to the nominal value.

The exposed-pad is internally connected to the substrate of the package. It can be either left floating or connected to a ground via 100 V capacitance toward ground, in order to reduce the noise during the receiving phase.

**Figure 3. Typical application with INT\_BIAS shorted to ground.**



### 3 Truth table and single channel block description

Figure 4. Single channel block description

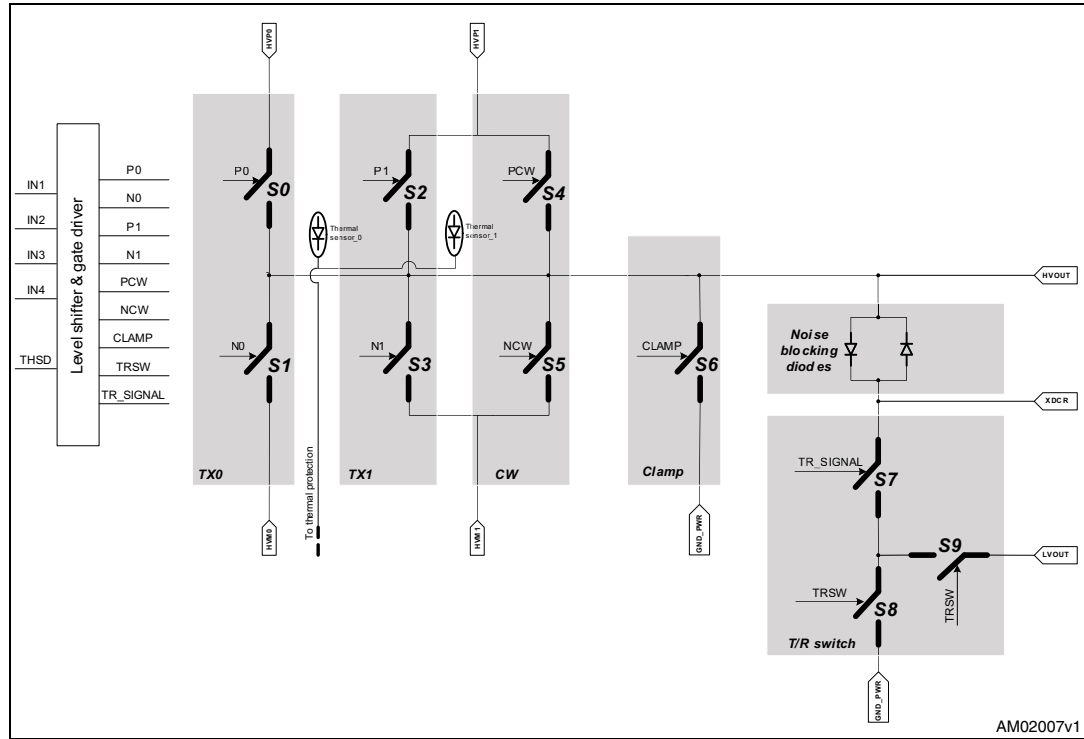


Table 3. Truth table for one channel

Global		Per channel			State	Switches internal state									
THSD	IN4	IN3	IN2	IN1		S0	S1	S2	S3	S4	S5	S6	S7	S8	S9
1	x	x	0	0	Clamp	0	0	0	0	0	0	1	0	1	0
1	0	0	0	1	HVM0	0	1	0	0	0	0	0	0	1	0
1	0	0	1	0	HVP0	1	0	0	0	0	0	0	0	1	0
1	x	0	1	1	T/R SW	0	0	0	0	0	0	1	1	0	1
1	0	1	0	1	HVM1	0	0	0	1	0	0	0	0	1	0
1	0	1	1	0	HVP1	0	0	1	0	0	0	0	0	1	0
1	0	1	1	1	HZ	0	0	0	0	0	0	0	0	1	0
1	1	1	1	1	T/R SW	0	0	0	0	0	0	1	1	0	1
1	1	0	0	1	Max. HVM0 and HVM1	0	1	0	1	0	0	0	0	1	0
1	1	0	1	0	Max. HVP0 and HVP1	1	0	1	0	0	0	0	0	1	0
1	1	1	0	1	CW HVM1	0	0	0	0	0	1	0	0	1	0
1	1	1	1	0	CW HVP1	0	0	0	0	1	0	0	0	1	0
0	x	x	x	x	HZ	0	0	0	0	0	0	0	0	1	0

## 4 Power-up / Power-down voltage sequence

During the power up/power down phases, the following relationship must be always respected:

- $VDDP \geq DVDD$
- $HVM0 \leq HVM1$
- $HVP0 \geq HVP1$

It is recommended to power up the low voltage supplies before the high voltage supplies.

## 5 Electrical data

### 5.1 Absolute maximum ratings

**Table 4. Absolute maximum ratings**

Symbol	Parameter	Value	Unit
AGND	Analog ground reference <sup>(1)</sup>	0	V
DGND	Digital ground	-300 to 300	mV
GND_PWR	Power ground	-1.2 to 1.2	V
VDDP	Positive supply voltage	-0.3 to 3.9	V
VDDM	Negative supply voltage	0.3 to -3.9	V
DVDD	Positive logic voltage	-0.3 to VDDP	V
HVP0	TX0 high-voltage positive supply	95	V
HVP1	TX1 high-voltage positive supply	0 to HVP0	V
HVM0	TX0 high-voltage negative supply	-95	V
HVM1	TX1 high-voltage negative supply	0 to HVM0	V
REF_HVP#	High-voltage positive gate supply	-0.3 < HVP - REF_HVP < 3.6	V
REF_HVM#	High-voltage negative gate supply	-0.3 < REF_HVM - HVM < 3.6	V
XDCR	High-voltage output	-95 to 95	V
HVOUT	High-voltage output before noise blocking diodes	-95 to 95	V
LVOUT	Low-voltage output	-1 to 1	V
DIG I/O	Digital input specified in <a href="#">Table 2</a>	-0.3 to DVDD + 0.3	V
D_CTR	Delay control	-0.3 to 4.6	V
T <sub>OP</sub>	Operating temperature range	-40 to 125	°C
T <sub>STG</sub>	Storage temperature range	-65 to 150	°C

1. AGND is the ground reference for all the other voltages.

*Note: Absolute maximum ratings are those values beyond which damage to the device may occur. Functional operation under these conditions is not implied.*

**Table 5. Thermal data**

Symbol	Parameter	Value	Unit
R <sub>th,JA</sub>	Thermal resistance junction-ambient	30 <sup>(1)</sup>	°C/W

1. This value is given for a two layer PCB (2S2P) and it's strongly sensitive to PCB layout. Increasing the number of PCB layers and/or adding heat sinks vias, the thermal resistance value decreases.

## 6 Operating supply voltages and average currents

Operation conditions, unless otherwise specified, only ONE channel on, no load, HV=90 V, TX0 and TX1 on, INT\_BIAS=DVDD, DVDD=3 V, VDDP=3 V and VDDM=-3 V

**Table 6. Supply voltages and average currents**

Symbol	Parameter	Conditions	Min.	Typ.	Max.	Units
VDDP	Positive supply voltage		2.7	3	3.6	V
$I_{VDDP}$	Positive supply current	PW mode <sup>(1)</sup>			1.5	mA
$I_{VDDP\_Q}$		Standby mode <sup>(2)</sup>		1.1		mA
VDDM	Negative supply voltage		-2.7	-3	-3.6	V
$I_{VDDM}$	Negative supply current	PW mode	-1.5			mA
$I_{VDDM\_Q}$		Standby mode			-800	$\mu$ A
DVDD	Positive logic voltage		2.4	3	min(3.6,V DDP+0.3)	V
$I_{\_DVD}$	Logic supply current	PW mode			100	$\mu$ A
$I_{\_DVD\_Q}$		Standby mode			85	$\mu$ A
HVP	High-voltage positive supply		0		90	V
$I_{HVP}$	HV positive supply current	PW mode			1	mA
$I_{HVP\_Q}$		Standby mode			350	$\mu$ A
HVM	High-voltage negative supply		-90		0	V
$I_{HVM}$	HV negative supply current	PW mode	-1			mA
$I_{HVM\_Q}$		Standby mode		-350		$\mu$ A
HVP-REF_HVP	High-voltage positive gate supply		2.7	3	3.6	V
REF_HVM-HVM	High-voltage negative gate supply		2.7	3	3.6	V
D_CTR	Delay control		0		4.2	V

1. In PW pulse wave mode the average current is measured over  $T_{\_w}$  time (see [Figure 6](#)).

2. In standby mode all channels are in HZ and INT\_BIAS= AGND"

### 6.1 Digital inputs

**Table 7. Digital inputs**

Symbol	Parameter	Min.	Max.	Units
IN1_#, IN2_#, IN3_#, IN4, INT_BIAS, THSD	Input logic high-voltage	0.8 DVDD	DVDD	V
IN1_#, IN2_#, IN3_#, IN4, INT_BIAS, THSD	Input logic low-voltage	0	0.2 DVDD	V

## 6.2 Output signals

**Table 8. Output signals**

<b>Symbol</b>	<b>Parameter</b>	<b>Min.</b>	<b>Max.</b>	<b>Units</b>
HVOUT	High-voltage output before noise blocking diodes	-90	90	V
XDCR	High-voltage output	-90	90	V
LVOOUT	Low-voltage output	-1	1	V
THSD	Thermal shutdown pin	0	3	V

## 7 Electrical characteristics

**Table 9. Static electrical characteristics <sup>(1)</sup>**

Symbol	Parameter	Condition	Min.	Typ.	Max.	Units
$I_N$	Saturation current S1 - S3	HVP# =10 V, HVM# =-10 V, HVOUT=0 V	1.1	1.30		A
		HVP# =25 V, HVM# =-25 V, HVOUT=0 V		1.70		A
		HVP# =90 V, HVM# =-90 V, HVOUT=0 V		2		A
$I_P$	Saturation current S0 - S2	HVP# =10 V, HVM# =-10 V, HVOUT=0 V	1	1.30		A
		HVP# =25 V, HVM# =-25 V, HVOUT=0 V		1.70		A
		HVP# =90 V, HVM# =-90 V, HVOUT=0 V		2		A
$I_{NCW}$	Saturation current S5	HVP1=10 V, HVM1=-10 V, HVOUT=0 V	300	350		mA
$I_{PCW}$	Saturation current S4	HVP1=10 V, HVM1=-10 V, HVOUT=0 V	390	480		mA
$I_{CL}$	Saturation current S6	HVOUT=25 V		1.5		A
$R_{ON\_CLAMP}$	On resistance S6	HVOUT=1 V		8		$\Omega$
$I_L$	Output leakage current, per channel	HVP# = 90 V, HVM# = -90 V, HVOUT=0 V		1		$\mu$ A
		HVP# = 90 V, HVM# = -90 V, HVOUT=-90 V		1		
		HVP# = 90 V, HVM# = -90 V, HVOUT=+90 V		1		
$P_{SB}$	Power dissipation in standby mode	HVP# = 90 V, HVM# = -90 V, HVOUT=0 V, INT_BIAS=DGND		4		$\mu$ W
		HVP# = 90 V, HVM# = -90 V, HVOUT=0 V		126	150	mW
$P_{RX}$	Power dissipation in HVR_SW state	HVP# = 30 V, HVM# = -30 V, INT_BIAS =0, all channels in receiving phase		30		mW
$V_{REFP}$	HVP# - REF_HVP#	HVP# = 10 V, HVM# = -10 V, HVOUT=0 V	0.8 VDDP		1.2 VDDP	V
$V_{REFN}$	REF_HVM# - HVM#	HVP# = 10 V, HVM# = -10 V, HVOUT=0 V	0.8 VDDP		1.2 VDDP	V
$T_{OTP}^{(2)}$	Overtemperature threshold	HVP# =10 V, HVM# =-10 V	130	153	160	$^{\circ}$ C
$T_{HYS}$	OTP hysteresis	HVP# =10 V, HVM# =-10 V		40		$^{\circ}$ C

**Table 9. Static electrical characteristics <sup>(1)</sup> (continued)**

Symbol	Parameter	Condition	Min.	Typ.	Max.	Units
C <sub>T/R SW</sub>	T/R SW capacitance	LVOUT=0 V		40		pF
R <sub>T/R SW_ON</sub>	T/R SW on resistance	HVP# =10 V, HVM# =-10 V, XDCR=0 V, LVOUT=0.2 V		13.5	15.5	Ω
R <sub>T/R SW_OFF</sub>	T/R SW off resistance	HVP# =10 V, HVM# =-10 V, XDCR=1 V, LVOUT=0 V	1			GΩ
VDROP_C W	Voltage drop between HVP1 and XDCR	HVP# =10V, HVM# =-10V, I <sub>SINK_XDCR</sub> =50 mA	2.58	2.79	2.9	V
	Voltage drop between XDCR and HVM1	HVP# =10V, HVM# =-10V, I <sub>SOURCE_XDCR</sub> =50 mA	2.58	2.86	2.9	V

1. Operating conditions, unless otherwise specified, INT\_BIAS=DVDD, HVP# = 90 V, HVM# = -90 V, VDDP = 3 V, VDDM = -3 V, DVDD = 3 V, TROOM = 25 °C.
2. Guaranteed by bench characterization.

**Table 10. AC electrical characteristics <sup>(1)</sup>**

Symbol	Parameter	Test condition	Min.	Typ.	Max.	Units
f	Maximum output frequency		16			MHz
		50 pF//200 Ω		22		MHz
f <sub>CW</sub>	Maximum output frequency CW	HVP1 =5 V, HVM1 = -5 V, continuous wave mode		20		MHz
f <sub>BW</sub>	Output frequency BW	HVP1 = 50 V, HVM1 = -50 V, continuous wave mode, 50 pF//200 Ω		10		MHz
t <sub>j</sub>	Output jitter			20		ps, rms
t <sub>j-CW</sub>	CW output jitter	HVP1 =10 V, HVM1 = -10 V, continuous wave mode		5		ps, rms
t <sub>f</sub>	Fall time			28		ns
t <sub>r</sub>	Rise time			28		ns
t <sub>dr</sub>	Rise propagation delay			24		ns
t <sub>df</sub>	Fall propagation delay			24		ns
T/R SW	T/R SW turn-on / turn-off time			170		ns
HD2	2 <sup>nd</sup> harmonic distortion	1 pulse f = 1.7 MHz		-40		dBc
		1 pulse f = 5 MHz		-40		dBc
		5 pulses f = 1.7 MHz		-40		dBc
		5 pulses f = 5 MHz		-40		dBc
HD2PC	Pulse cancellation	f = 1.7 MHz original and inverted pulse		-40		dBc
		f = 5 MHz original and inverted pulse		-40		dBc

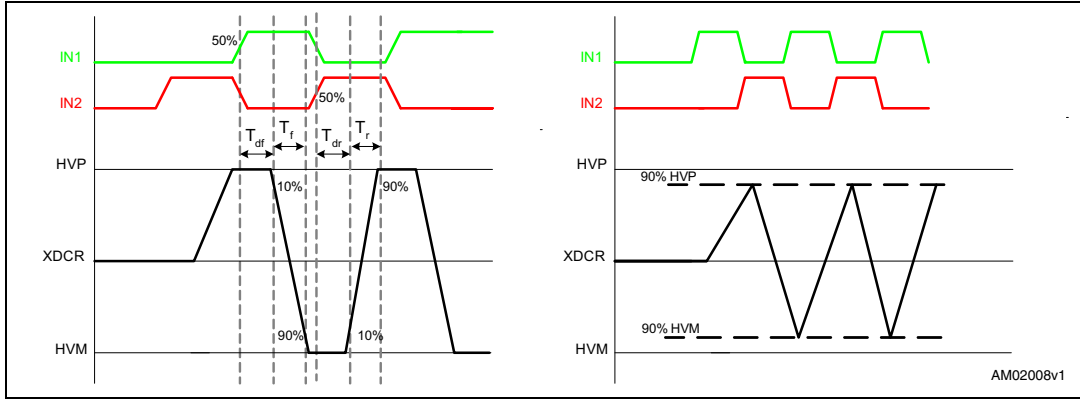
Table 10. AC electrical characteristics (1)

Symbol	Parameter	Test condition	Min.	Typ.	Max.	Units
BVD	Burst voltage drop	1 <sup>st</sup> to 128 <sup>th</sup> pulse HVP1 = 10 V, HVM1 = -10 V		2		%
P <sub>D_CW</sub>	Power dissipation, all channels	CW mode, f = 5 MHz, HVP1 = 5 V, HVM1 = -5 V, no load		390		mW
	Power dissipation, one channel	CW mode, f = 5 MHz, HVP1 = 5 V, HVM1 = -5 V			320	
T/R SW <sub>SPIKE</sub>	T/R SW spike on XDCR and LVOUT			100		mV <sub>pp</sub>
X <sub>TALK</sub>	Cross talk between channels.	Ampl(2ch)/Ampl(1ch), 50 pF//200 Ω		-40		db

1. Operating conditions, unless otherwise specified, HVP# = 90 V, HVM# = -90 V, VDDP = 3 V, VDDM = -3 V, DVDD = 3 V, V<sub>INT\_BIAS</sub> = DVDD, (HVP-REF\_HVP) = 3 V, (REF\_HVM-HVM) = 3 V, XDCR load C = 300 pF//R = 100 Ω, LVOUT load C = 20 pF//200 Ω T<sub>ROOM</sub> = 25 °C.

# 8 Timings

**Figure 5.  $t_r$ ,  $t_f$ ,  $t_{dr}$  and  $t_{df}$  descriptions**



**Figure 6. PW example 5 periods, HVP0 = 90 V, HVM0 = -90 V, T=200 ns, T\_tx=1.2 μs, T\_w=200 μs**

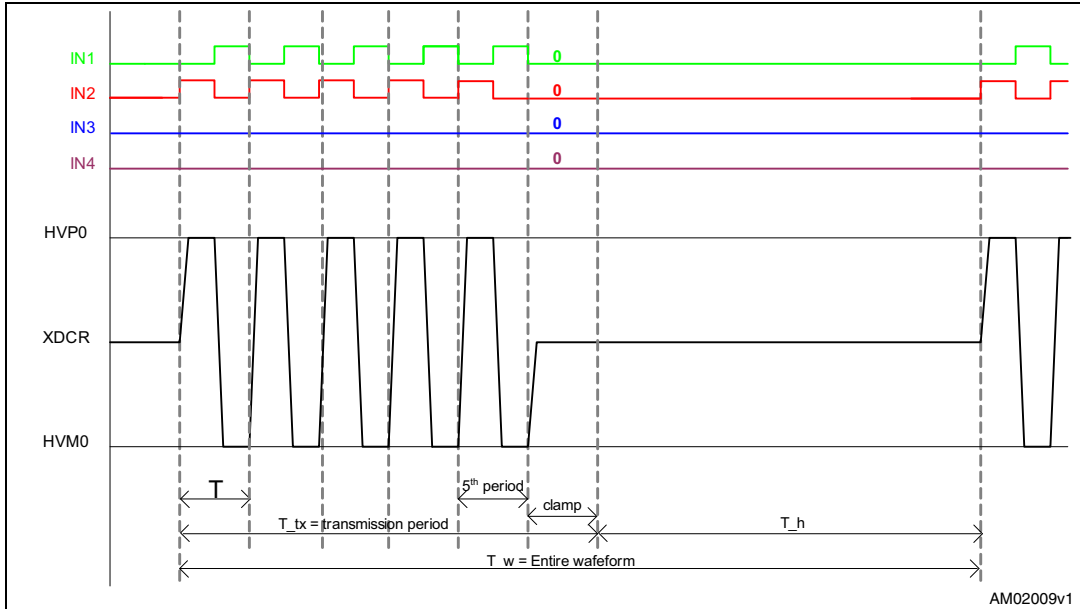


Figure 7. PW and HD2 example (HVP0=80 V, HVM0=-80 V load 300 pF//100 Ω)

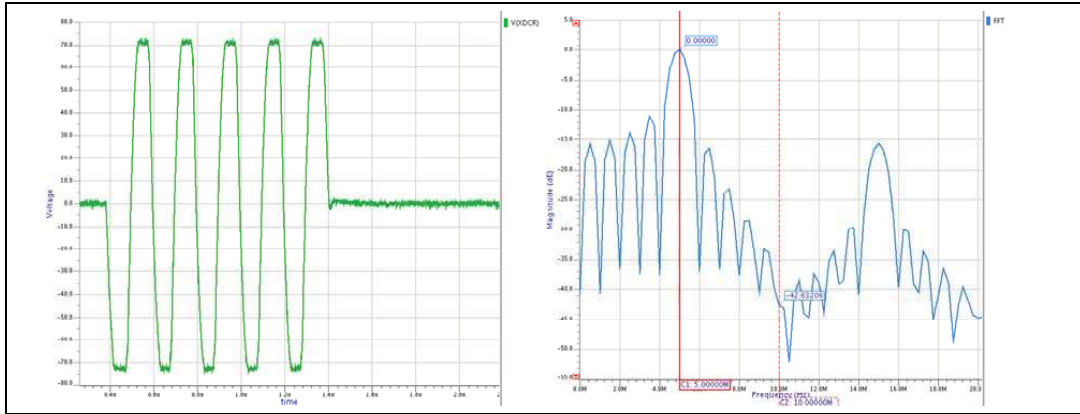
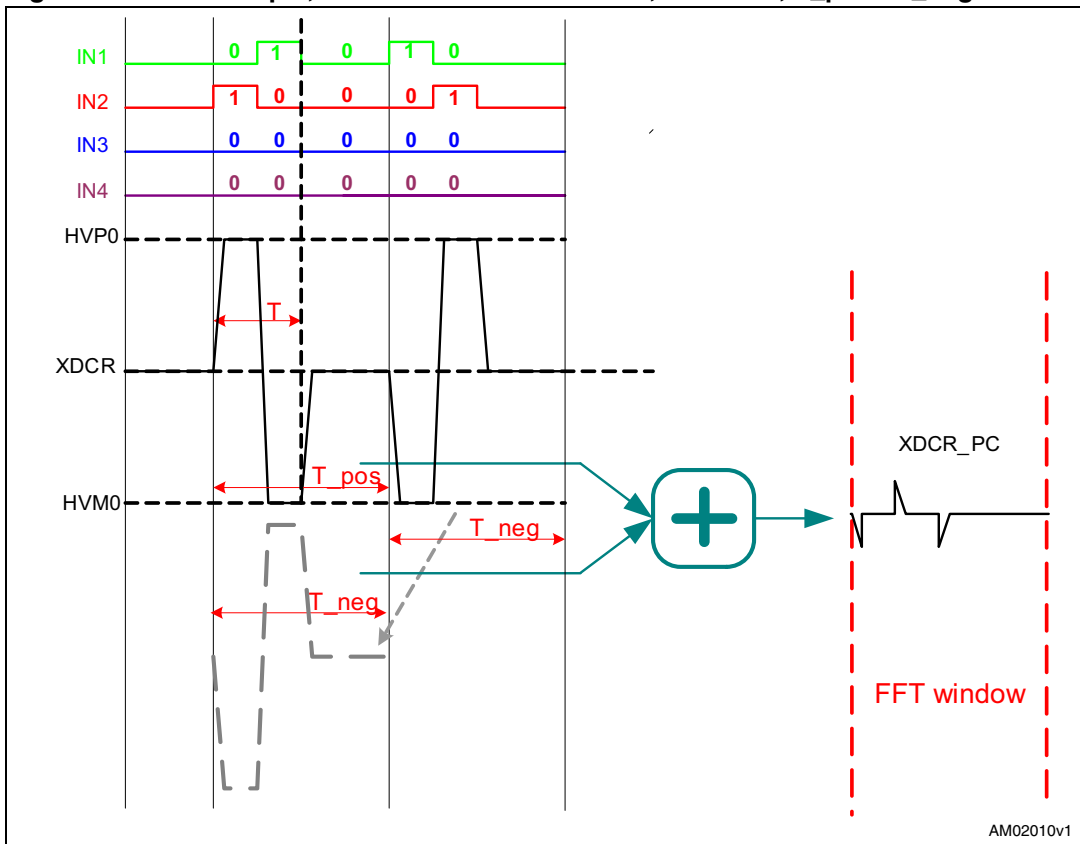
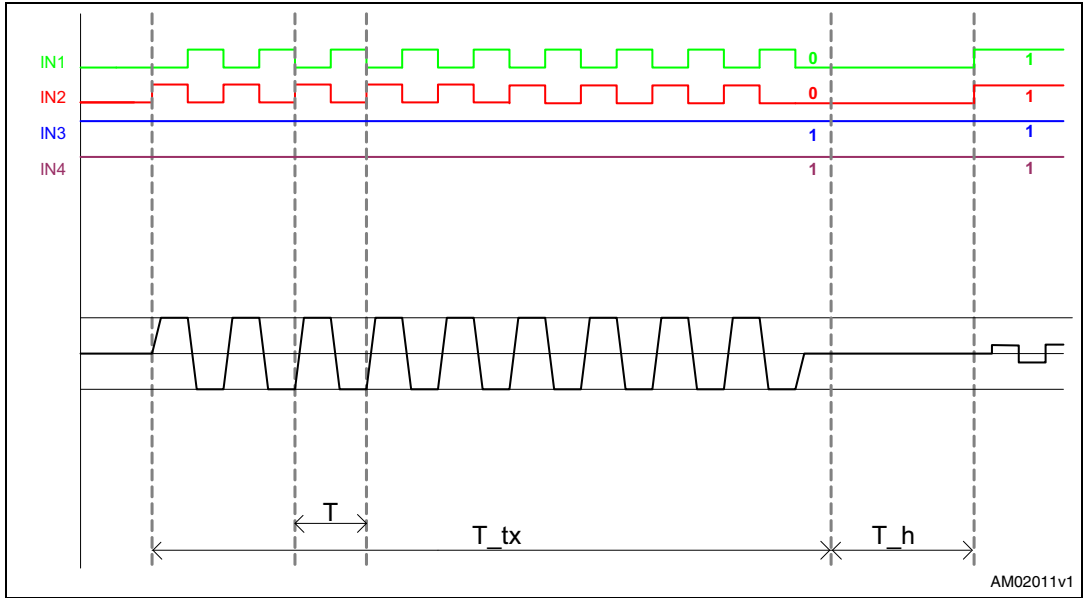


Figure 8. PC example, HVP0 = 90 V HVM0 = -90 V, T=200 ns, T\_pos= T\_neg=400 ns



**Figure 9. CW mode example, HVP1 = 5 V, HVM1 = 5 V, T = 200 ns, T\_tx > 1 ms**



**Figure 10. T/R SW signal equivalent circuit model**

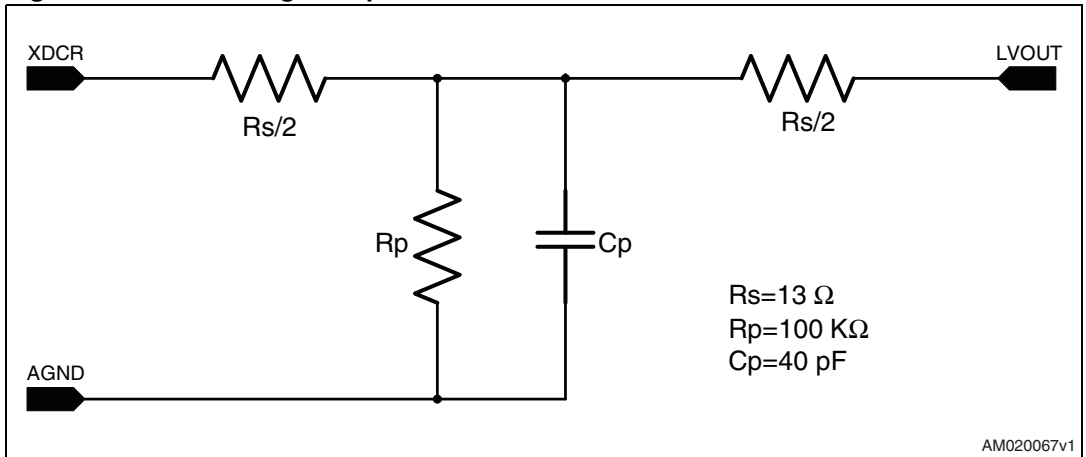


Figure 11. T/R SW bandwidth

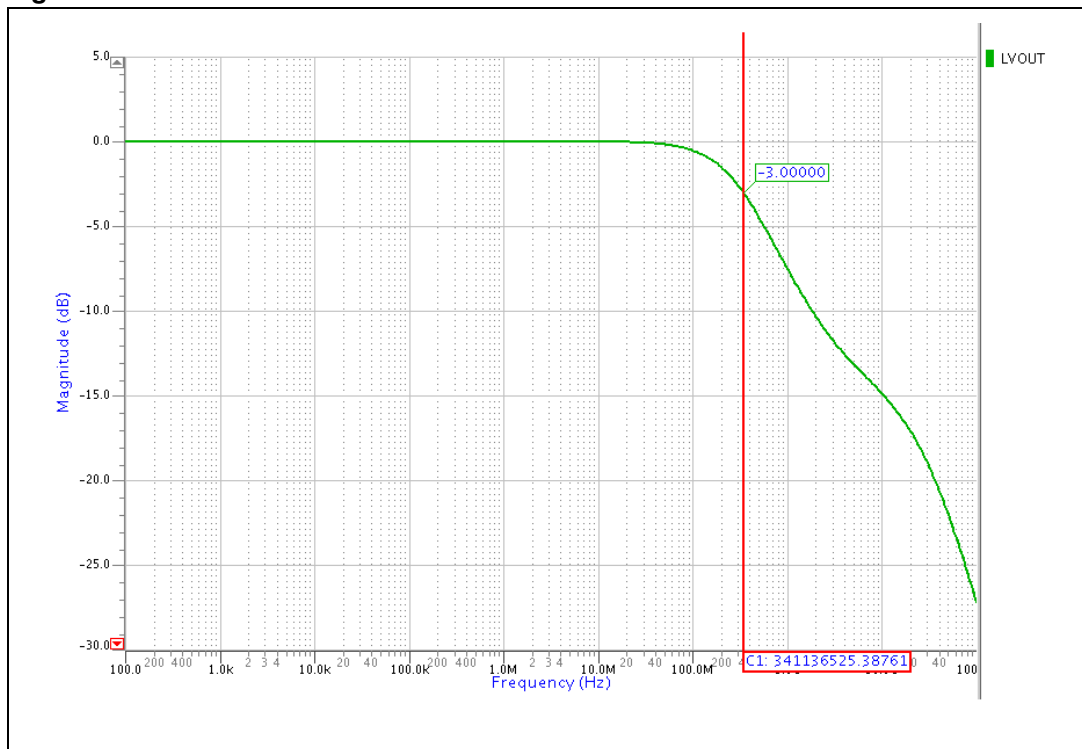
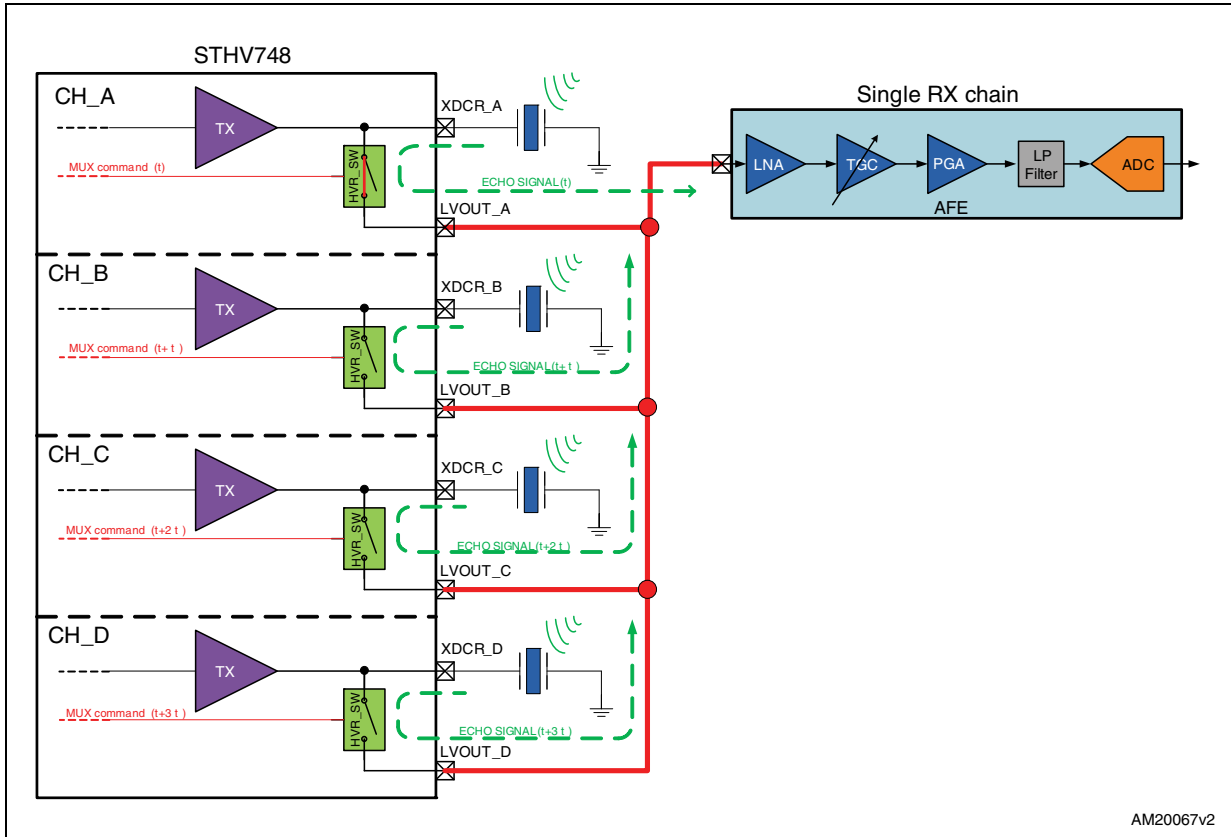


Figure 12. Possible external connection for LVOUT outputs with T/R SW in multiplexing driving configuration



AM20067v2

# 9 Oscilloscope acquisitions

Figure 13. TX0 = ±60 V positive-negative pulses and immediately after TX1 = ±30 V positive-negative pulses, load 300 pF // 100 Ω



Figure 14. Five-levels HV output voltage



Figure 15. CW operations at 6 MHz

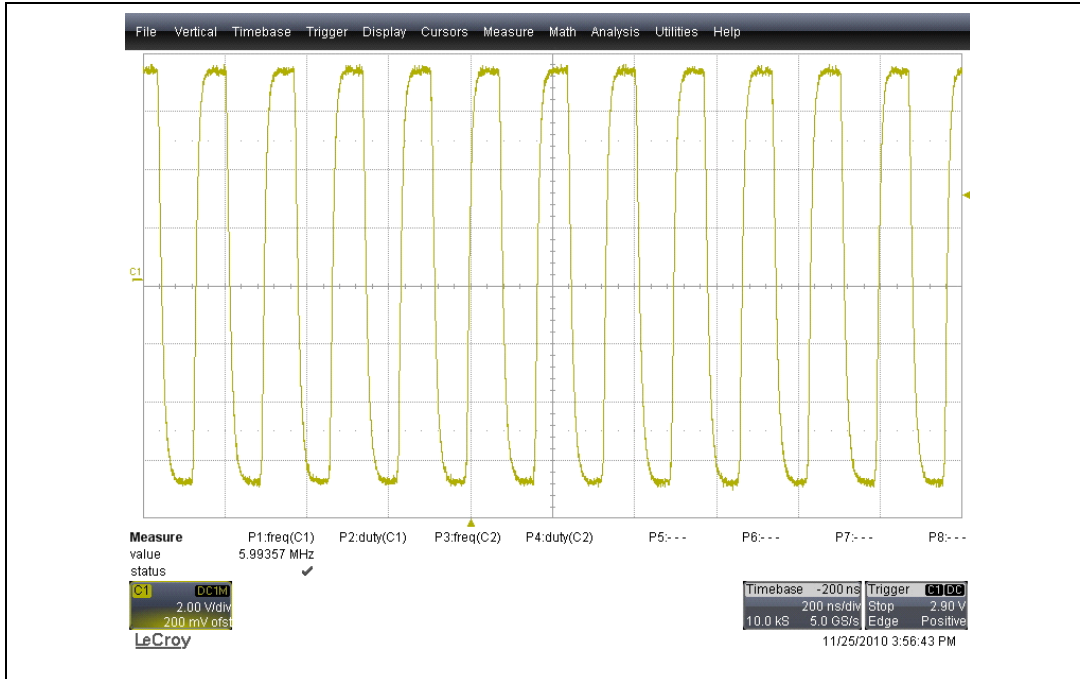


Figure 16. CW operations at 9 MHz

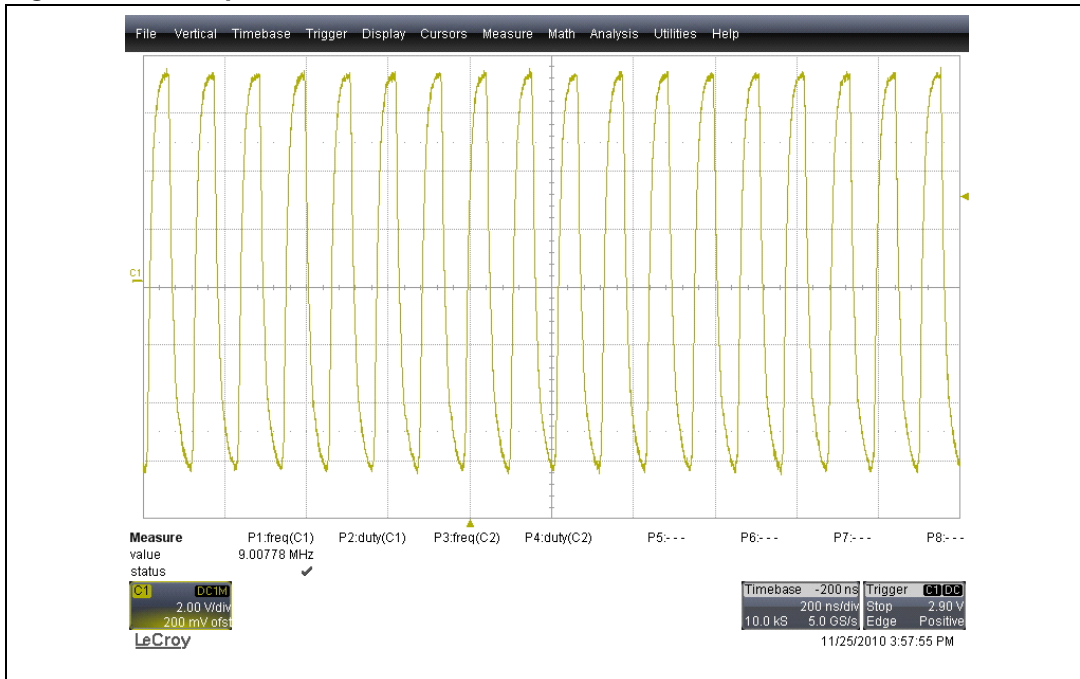
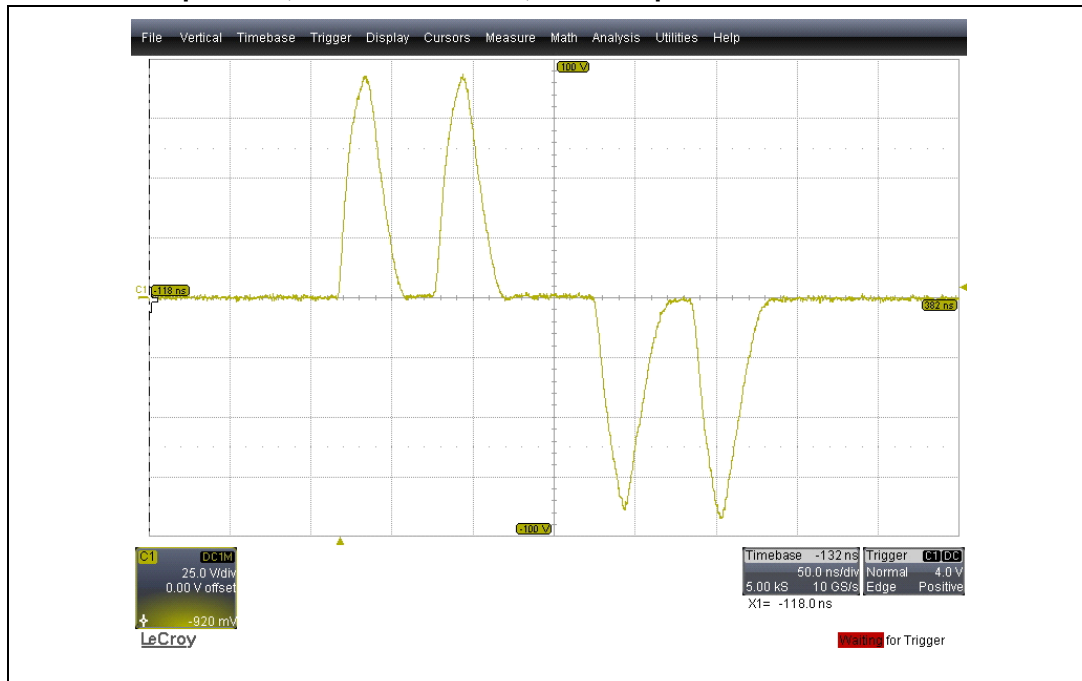


Figure 17. Two positive and two negative “short pulses” with 10 ns time width for inputs IN#, HVP/N/O/1 = ±90 V, load 300 pF // 100 Ω



## 10 Package mechanical data

In order to meet environmental requirements, ST offers these devices in different grades of ECOPACK® packages, depending on their level of environmental compliance. ECOPACK specifications, grade definitions and product status are available at: [www.st.com](http://www.st.com). ECOPACK is an ST trademark.

**Table 11. QFN64 9 x 9 x 1.0 mm 64 pitch 0.50 mechanical data**

Dim	Min.	Typ.	Max.
A	0.8	0.9	1
A1		0.02	0.05
A2		0.65	1
A3		0.2	
b	0.18	0.25	0.3
D	8.85	9	9.15
D1		8.75	
D2	See exposed pad variation		
E	8.85	9	9.15
E1		8.75	
E2	See exposed pad variation		
e		0.5	
L	0.35	0.4	0.45
P			0.6
K			12
ddd			0.08

**Table 12. Exposed-pad variation**

Variation	6D2			E2		
	Min.	Typ.	Max.	Min.	Typ.	Max.
A	4.1	4.25	4.4	4.1	4.25	4.4
B	4.55	4.7	4.85	4.55	4.7	4.85
C	6.95	7.1	7.25	6.95	7.1	7.25
D	7.15	7.3	7.45	7.15	7.3	7.45

*Note:* QFN64 used for STHV748 has D variation option.

Figure 18. QFN64 9 x 9 x 1.0 mm 64 pitch 0.50 drawing

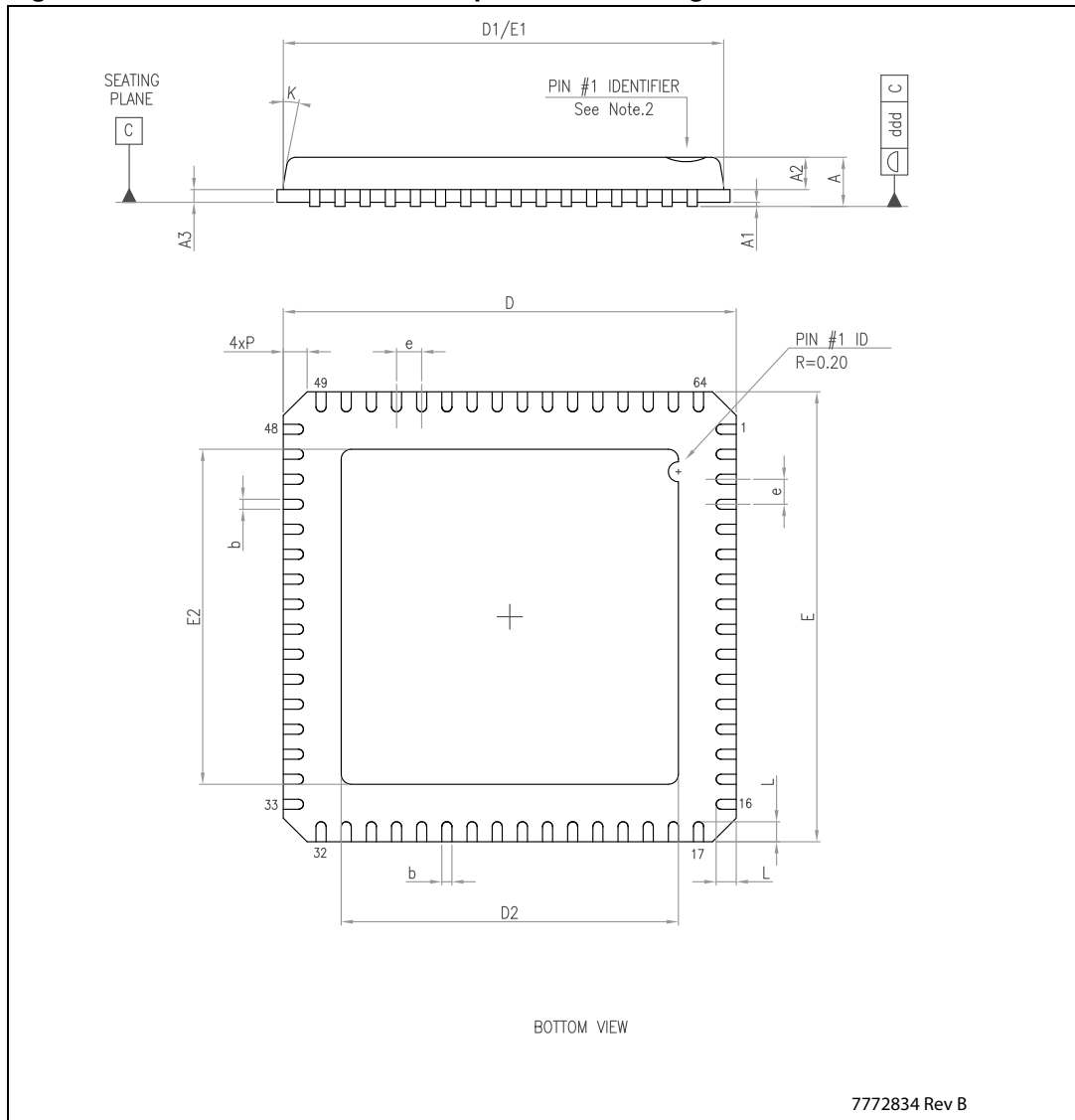
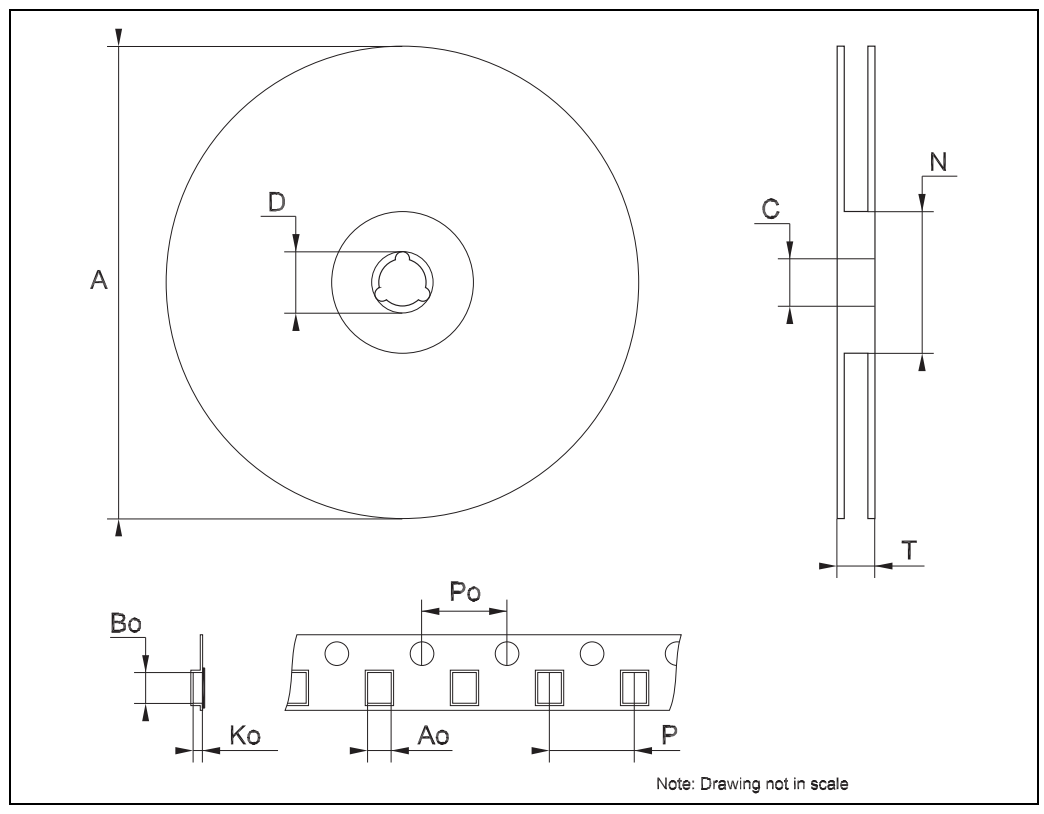


Figure 19. QFN64 9 x 9 x 1.0 mm 64 tape and reel information

DIM.	mm.			inch		
	MIN.	TYP.	MAX.	MIN.	TYP.	MAX.
A			330			12.992
C	12.8		13.2	0.504		0.519
D	20.2			0.795		
N	60			2.362		
T			30.4			1.196
Ao	12.25		12.45	0.482		0.490
Bo	12.25		12.45	0.482		0.490
Ko	2.1		2.3	0.083		0.091
Po	3.9		4.1	0.153		0.161
P	15.9		16.1	0.626		0.639



## 11 Revision history

**Table 13. Document revision history**

Date	Revision	Changes
20-Jan-2010	1	Initial release.
17-Feb-2010	2	Updated typo on coverpage.
09-Nov-2011	3	Updated <a href="#">Table 6: Supply voltages and average currents</a> , <a href="#">Table 9: Static electrical characteristics</a> and <a href="#">Table 10: AC electrical characteristics</a> . Minor text changes.
11-May-2012	4	Updated the entire <a href="#">Table 6: Supply voltages and average currents</a> title included. Updated title in <a href="#">Figure 6: PW example 5 periods, HVP0 = 90 V, HVM0 = -90 V, T=200 ns, T_tx=1.2 μs, T_w=200 μs</a> . Minor text changes.

**Please Read Carefully:**

Information in this document is provided solely in connection with ST products. STMicroelectronics NV and its subsidiaries ("ST") reserve the right to make changes, corrections, modifications or improvements, to this document, and the products and services described herein at any time, without notice.

All ST products are sold pursuant to ST's terms and conditions of sale.

Purchasers are solely responsible for the choice, selection and use of the ST products and services described herein, and ST assumes no liability whatsoever relating to the choice, selection or use of the ST products and services described herein.

No license, express or implied, by estoppel or otherwise, to any intellectual property rights is granted under this document. If any part of this document refers to any third party products or services it shall not be deemed a license grant by ST for the use of such third party products or services, or any intellectual property contained therein or considered as a warranty covering the use in any manner whatsoever of such third party products or services or any intellectual property contained therein.

**UNLESS OTHERWISE SET FORTH IN ST'S TERMS AND CONDITIONS OF SALE ST DISCLAIMS ANY EXPRESS OR IMPLIED WARRANTY WITH RESPECT TO THE USE AND/OR SALE OF ST PRODUCTS INCLUDING WITHOUT LIMITATION IMPLIED WARRANTIES OF MERCHANTABILITY, FITNESS FOR A PARTICULAR PURPOSE (AND THEIR EQUIVALENTS UNDER THE LAWS OF ANY JURISDICTION), OR INFRINGEMENT OF ANY PATENT, COPYRIGHT OR OTHER INTELLECTUAL PROPERTY RIGHT.**

**UNLESS EXPRESSLY APPROVED IN WRITING BY TWO AUTHORIZED ST REPRESENTATIVES, ST PRODUCTS ARE NOT RECOMMENDED, AUTHORIZED OR WARRANTED FOR USE IN MILITARY, AIR CRAFT, SPACE, LIFE SAVING, OR LIFE SUSTAINING APPLICATIONS, NOR IN PRODUCTS OR SYSTEMS WHERE FAILURE OR MALFUNCTION MAY RESULT IN PERSONAL INJURY, DEATH, OR SEVERE PROPERTY OR ENVIRONMENTAL DAMAGE. ST PRODUCTS WHICH ARE NOT SPECIFIED AS "AUTOMOTIVE GRADE" MAY ONLY BE USED IN AUTOMOTIVE APPLICATIONS AT USER'S OWN RISK.**

Resale of ST products with provisions different from the statements and/or technical features set forth in this document shall immediately void any warranty granted by ST for the ST product or service described herein and shall not create or extend in any manner whatsoever, any liability of ST.

ST and the ST logo are trademarks or registered trademarks of ST in various countries.

Information in this document supersedes and replaces all information previously supplied.

The ST logo is a registered trademark of STMicroelectronics. All other names are the property of their respective owners.

© 2012 STMicroelectronics - All rights reserved

STMicroelectronics group of companies

Australia - Belgium - Brazil - Canada - China - Czech Republic - Finland - France - Germany - Hong Kong - India - Israel - Italy - Japan - Malaysia - Malta - Morocco - Philippines - Singapore - Spain - Sweden - Switzerland - United Kingdom - United States of America

[www.st.com](http://www.st.com)