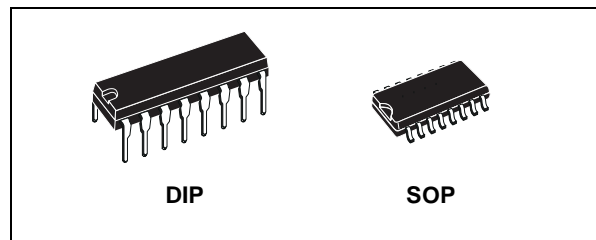




HCF4052B

DIFFERENT 4-CHANNEL ANALOG MULTIPLEXER/DEMULTIPLEXER

- LOW "ON" RESISTANCE : 125Ω (Typ.) OVER 15V p.p SIGNAL-INPUT RANGE FOR $V_{DD} - V_{EE} = 15V$
- HIGH "OFF" RESISTANCE : CHANNEL LEAKAGE $\pm 100pA$ (Typ.) at $V_{DD} - V_{EE} = 18V$
- BINARY ADDRESS DECODING ON CHIP
- HIGH DEGREE OF LINEARITY : < 0.5% DISTORTION TYP. at $f_{IS} = 1KHz, V_{IS} = 5 V_{pp}, V_{DD} - V_{SS} \geq 10V, R_L = 10K\Omega$
- VERY LOW QUIESCENT POWER DISSIPATION UNDER ALL DIGITAL CONTROL INPUT AND SUPPLY CONDITIONS : 0.2 μW (Typ.) at $V_{DD} - V_{SS} = V_{DD} - V_{EE} = 10V$
- MATCHED SWITCH CHARACTERISTICS : $R_{ON} = 5\Omega$ (Typ.) FOR $V_{DD} - V_{EE} = 15V$
- WIDE RANGE OF DIGITAL AND ANALOG SIGNAL LEVELS : DIGITAL 3 to 20, ANALOG TO 20V p.p.
- QUIESCENT CURRENT SPECIF. UP TO 20V
- 5V, 10V AND 15V PARAMETRIC RATINGS
- INPUT LEAKAGE CURRENT $I_l = 100nA$ (MAX) AT $V_{DD} = 18V T_A = 25^\circ C$
- 100% TESTED FOR QUIESCENT CURRENT
- MEETS ALL REQUIREMENTS OF JEDEC JESD13B " STANDARD SPECIFICATIONS FOR DESCRIPTION OF B SERIES CMOS DEVICES"



ORDER CODES

| PACKAGE | TUBE | T & R |
|---------|------------|---------------|
| DIP | HCF4052BEY | |
| SOP | HCF4052BM1 | HCF4052M013TR |

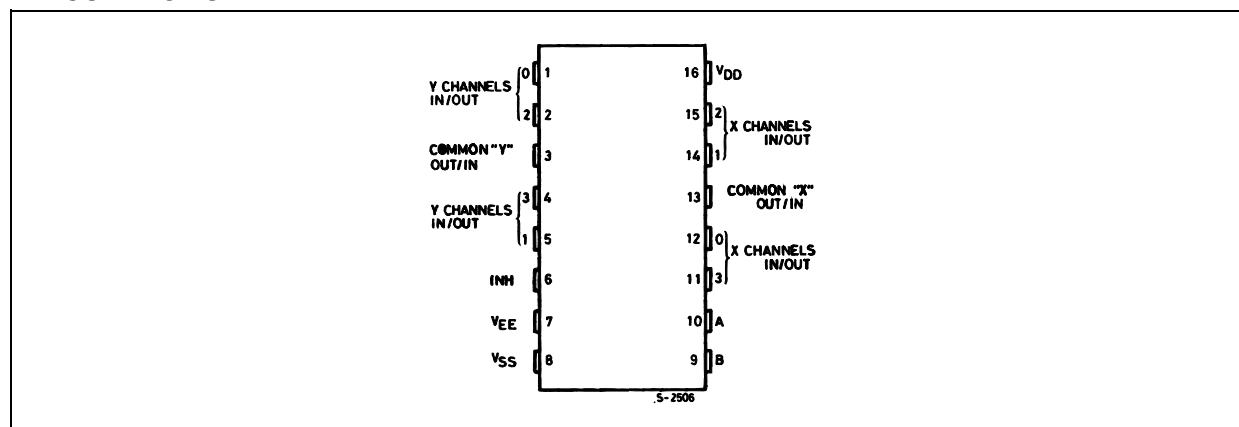
technology available in DIP and SOP packages. The HCF4052B analog multiplexer/demultiplexer is a digitally controlled analog switch having low ON impedance and very low OFF leakage current. This multiplexer circuit dissipate extremely low quiescent power over the full $V_{DD} - V_{SS}$ and $V_{DD} - V_{EE}$ supply voltage range, independent of the logic state of the control signals.

When a logic "1" is present at the inhibit input terminal all channel are off. This device is a differential 4-channel multiplexer having two binary control inputs, A and B and an inhibit input. The two binary input signals selects 1 of 4 pairs of channels to be turned on and connect the analog inputs to the outputs.

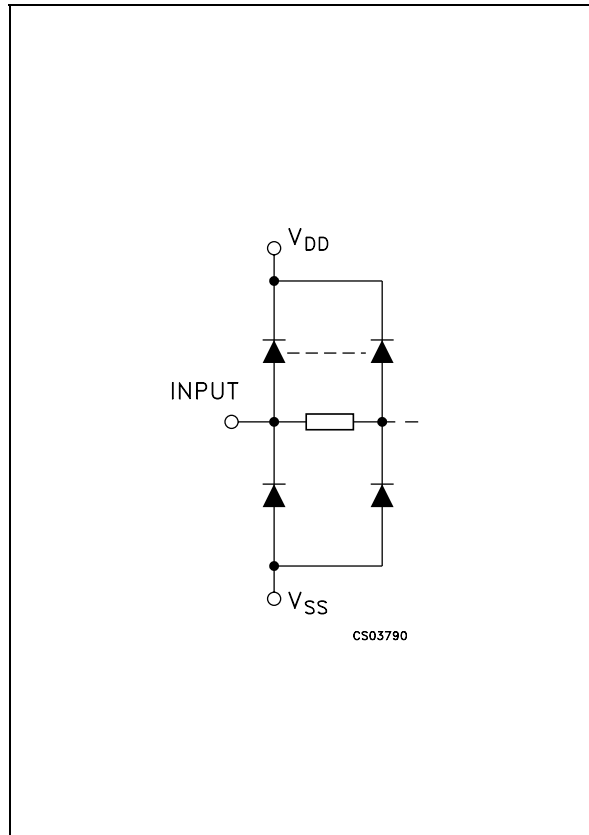
DESCRIPTION

The HCF4052B is a monolithic integrated circuit fabricated in Metal Oxide Semiconductor

PIN CONNECTION



INPUT EQUIVALENT CIRCUIT



PIN DESCRIPTION

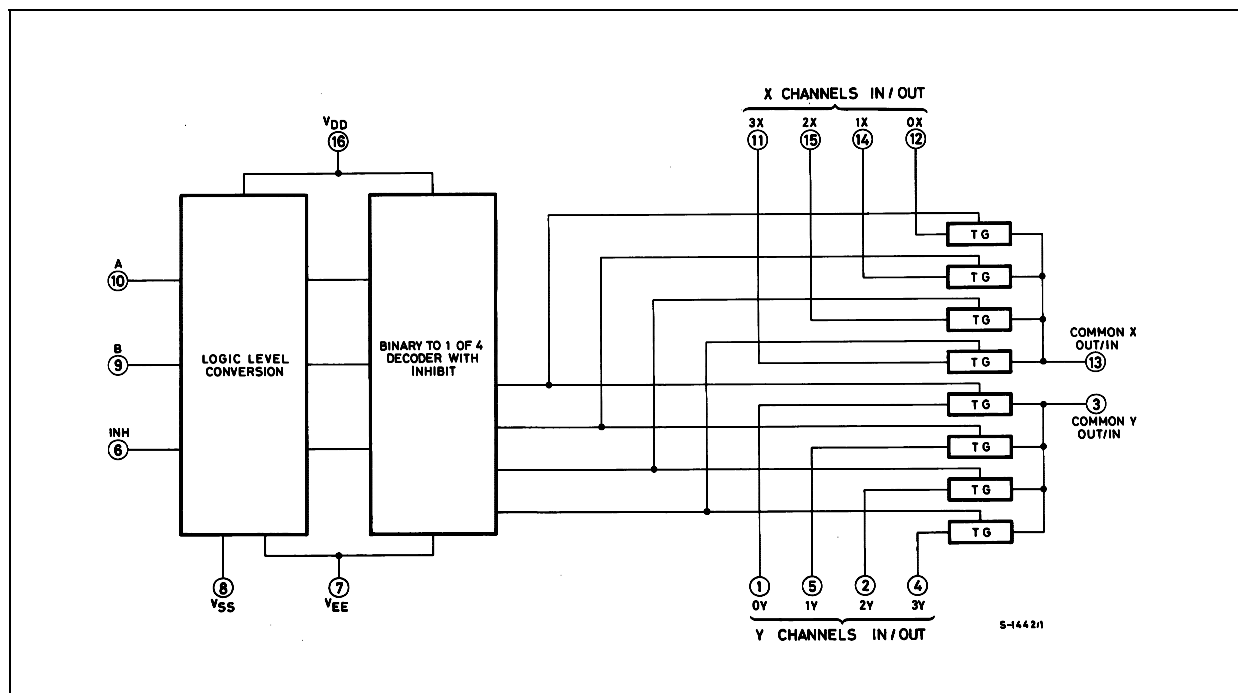
| PIN No | SYMBOL | NAME AND FUNCTION |
|----------------|-------------------------|-------------------------|
| 10, 9 | A, B | Binary Control Inputs |
| 6 | INH | Inhibit Inputs |
| 12, 14, 15, 11 | 0X to 3X CHANNEL IN/OUT | X channels Input/Output |
| 1, 5, 2, 4 | 0Y to 3Y CHANNEL IN/OUT | Y channels Input/Output |
| 3 | COM Y OUT/IN | Y Common Output/Input |
| 13 | COM X OUT/IN | X Common Output/Input |
| 7 | V _{EE} | Supply Voltage |
| 8 | V _{SS} | Negative Supply Voltage |
| 16 | V _{DD} | Positive Supply Voltage |

TRUTH TABLE

| INHIBIT | B | A | |
|---------|---|---|--------|
| 0 | 0 | 0 | 0x, 0y |
| 0 | 0 | 1 | 1x, 1y |
| 0 | 1 | 0 | 2x, 2y |
| 0 | 1 | 1 | 3x, 3y |
| 1 | X | X | NONE |

X : Don't Care

FUNCTIONAL DIAGRAM



ABSOLUTE MAXIMUM RATINGS

| Symbol | Parameter | Value | Unit |
|-----------|---|------------------------|------|
| V_{DD} | Supply Voltage | -0.5 to +22 | V |
| V_I | DC Input Voltage | -0.5 to $V_{DD} + 0.5$ | V |
| I_I | DC Input Current | ± 10 | mA |
| P_D | Power Dissipation per Package | 500 (*) | mW |
| | Power Dissipation per Output Transistor | 100 | mW |
| T_{op} | Operating Temperature | -55 to +125 | °C |
| T_{stg} | Storage Temperature | -65 to +150 | °C |

Absolute Maximum Ratings are those values beyond which damage to the device may occur. Functional operation under these conditions is not implied.

All voltage values are referred to V_{SS} pin voltage.

(*) 500mW at 65 °C; derate to 300mW by 10mW/°C from 65°C to 85°C

RECOMMENDED OPERATING CONDITIONS

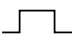
| Symbol | Parameter | Value | Unit |
|----------|-----------------------|---------------|------|
| V_{DD} | Supply Voltage | 3 to 20 | V |
| V_I | Input Voltage | 0 to V_{DD} | V |
| T_{op} | Operating Temperature | -55 to 125 | °C |

DC SPECIFICATIONS

| Symbol | Parameter | Test Condition | | | | Value | | | | | | Unit | |
|-------------------------------------|--|--------------------------------------|---|------------------------|------------------------|-----------------------|-------------------|------|-------------|------|--------------|------|------|
| | | V _{IS} (V) | V _{EE} (V) | V _{SS} (V) | V _{DD} (V) | T _A = 25°C | | | -40 to 85°C | | -55 to 125°C | | |
| | | | | | | Min. | Typ. | Max. | Min. | Max. | Min. | | Max. |
| I _L | Quiescent Device Current (all switches ON or all switches OFF) | | | | 5 | | 0.04 | 5 | | 150 | | 150 | μA |
| | | | | | 10 | | 0.04 | 10 | | 300 | | 300 | |
| | | | | | 15 | | 0.04 | 20 | | 600 | | 600 | |
| | | | | | 20 | | 0.08 | 100 | | 3000 | | 3000 | |
| SWITCH | | | | | | | | | | | | | |
| R _{ON} | Resistance | 0 ≤ V _I ≤ V _{DD} | 0 | 0 | 5 | | 470 | 1050 | | 1200 | | 1200 | Ω |
| | | | | | 10 | | 180 | 400 | | 520 | | 520 | |
| | | | | | 15 | | 125 | 280 | | 360 | | 360 | |
| Δ _{ON} | Resistance Δ _{RON} (between any 2 of 4 switches) | 0 ≤ V _I ≤ V _{DD} | 0 | 0 | 5 | | 10 | | | | | | Ω |
| | | | | | 10 | | 10 | | | | | | |
| | | | | | 15 | | 5 | | | | | | |
| OFF* | Channel Leakage Current (All Channel OFF) (COMMON O/I) | | 0 | 0 | 18 | | ±0.1 | 100 | | 1000 | | 1000 | nA |
| OFF* | Channel Leakage Current (Any Channel OFF) | | 0 | 0 | 18 | | ±0.1 | 100 | | 1000 | | 1000 | nA |
| C _I | Input Capacitance | | -5 | -5 | 5 | | 5 | | | | | | pF |
| C _O | Output Capacitance | | | | | 18 | | | | | | | |
| C _{IO} | Feed through | | | | | 0.2 | | | | | | | |
| CONTROL (Address or Inhibit) | | | | | | | | | | | | | |
| V _{IL} | Input Low Voltage | = V _{DD} thru 1KΩ | V _{EE} = V _{SS} R _L = 1KΩ to V _{SS} I _{IS} < 2μA (on all OFF channels) | 5 | | | 1.5 | | 1.5 | | 1.5 | V | |
| | | | | 10 | | | 3 | | 3 | | 3 | | |
| | | | | 15 | | | 4 | | 4 | | 4 | | |
| V _{IH} | Input High Voltage | = V _{DD} thru 1KΩ | V _{EE} = V _{SS} R _L = 1KΩ to V _{SS} I _{IS} < 2μA (on all OFF channels) | 5 | 3.5 | | 3.5 | | 3.5 | | 3.5 | V | |
| | | | | 10 | 7 | | 7 | | 7 | | 7 | | |
| | | | | 15 | 11 | | 11 | | 11 | | 11 | | |
| I _{IH} , I _{IL} | Input Leakage Current | | V _I = 0/18V | | 18 | | ±10 ⁻³ | ±0.1 | | ±1 | | ±1 | μA |
| C _I | Input Capacitance | | | | | | 5 | 7.5 | | | | | pF |

* Determined by minimum feasible leakage measurement for automating testing.

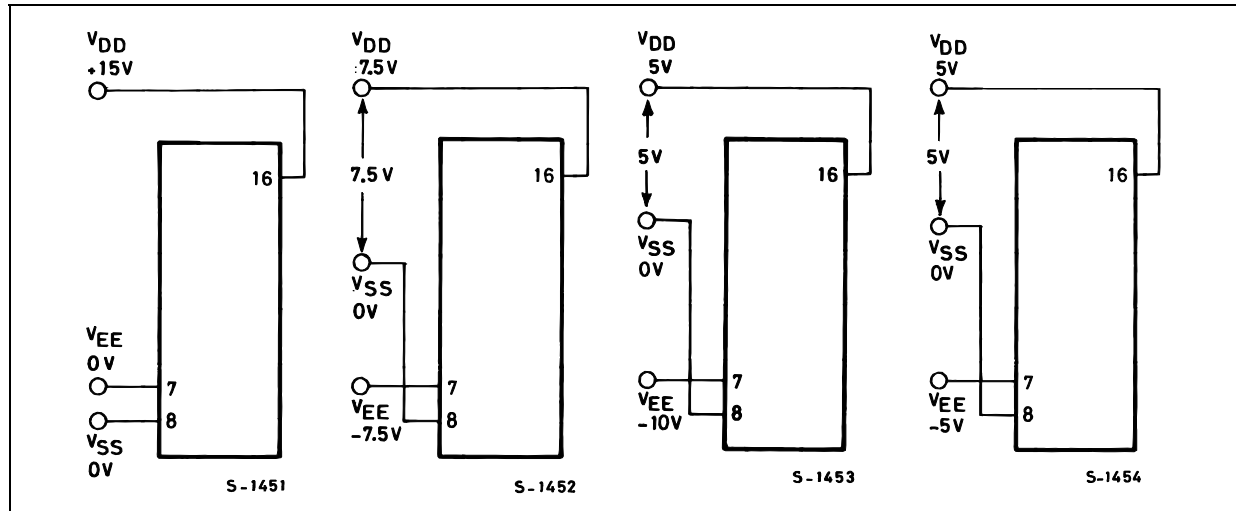
DYNAMIC ELECTRICAL CHARACTERISTICS ($T_{amb} = 25^{\circ}\text{C}$, $C_L = 50\text{pF}$, all input square wave rise and fall time = 20 ns)

| Parameter | Test Condition | | | | | | | Value | | | Unit | |
|--|-----------------|------------------------|----------------|---|-----------------|-----------------|--|-------|------|------|---------|----|
| | V_{EE} (V) | R_L (K Ω) | f_I (KHz) | V_I (V) | V_{SS} (V) | V_{DD} (V) | | Min. | Typ. | Max. | | |
| Propagation Delay Time (signal input to output) | | 200 | | V_{DD}  | | 5 | | | 30 | 60 | ns | |
| | | | | | | 10 | | | 15 | 30 | | |
| | | | | | | 15 | | | 11 | 20 | | |
| Frequency Response Channel "ON" (sine wave input) at $20 \log V_O/V_I = -3\text{dB}$ | $= V_{SS}$ | 1 | | 5(*) | | 10 | V_O at Common OUT/IN | | 25 | | MHz | |
| | | | | | | | V_O at any channel | | 60 | | | |
| Feed through (all channels OFF) at $20 \log V_O/V_I = -40\text{dB}$ | $= V_{SS}$ | 1 | | 5(*) | | 10 | V_O at Common OUT/IN | | 10 | | MHz | |
| | | | | | | | V_O at any channel | | 8 | | | |
| Frequency Signal Crosstalk at $20 \log V_O/V_I = -40\text{dB}$ | $= V_{SS}$ | 1 | | 5(*) | | 10 | Between Sections (measured on common) | | 6 | | MHz | |
| | | | | | | | Between Sections (measured on any channel) | | 10 | | | |
| Sine Wave Distortion $f_{IS} = 1\text{KHz}$ Sine Wave | $= V_{SS}$ | 10 | 1 | 2(*) | | 5 | | | 0.3 | | % | |
| | | | | 3(*) | | 10 | | | 0.2 | | | |
| | | | | 5(*) | | 15 | | | 0.12 | | | |
| CONTROL (Address or Inhibit) | | | | | | | | | | | | |
| Propagation Delay: Address to Signal OUT (Channels ON or OFF) | 0 | | | | | 0 | 5 | | | 360 | 720 | ns |
| | 0 | | | | | 0 | 10 | | | 160 | 320 | |
| | 0 | | | | | 0 | 15 | | | 120 | 240 | |
| | -5 | | | | | 0 | 5 | | | 225 | 450 | |
| Propagation Delay: Inhibit to Signal OUT (Channel turning ON) | 0 | 1 | | | | 0 | 5 | | | 360 | 720 | ns |
| | 0 | | | | | 0 | 10 | | | 160 | 320 | |
| | 0 | | | | | 0 | 15 | | | 120 | 240 | |
| | -10 | | | | | 0 | 5 | | | 200 | 400 | |
| Propagation Delay: Inhibit to Signal OUT (Channel turning OFF) | 0 | 10 | | | | | 5 | | | 200 | 450 | ns |
| | 0 | | | | | | 10 | | | 90 | 210 | |
| | 0 | | | | | | 15 | | | 70 | 160 | |
| | -10 | | | | | | 5 | | | 130 | 300 | |
| Address or Inhibit to Signal Crosstalk | 0 | 10 ⁽¹⁾ | | | 0 | 10 | $V_C = V_{DD} - V_{SS}$ (square wave) | | 65 | | mV peak | |

(1) Both ends of channel.

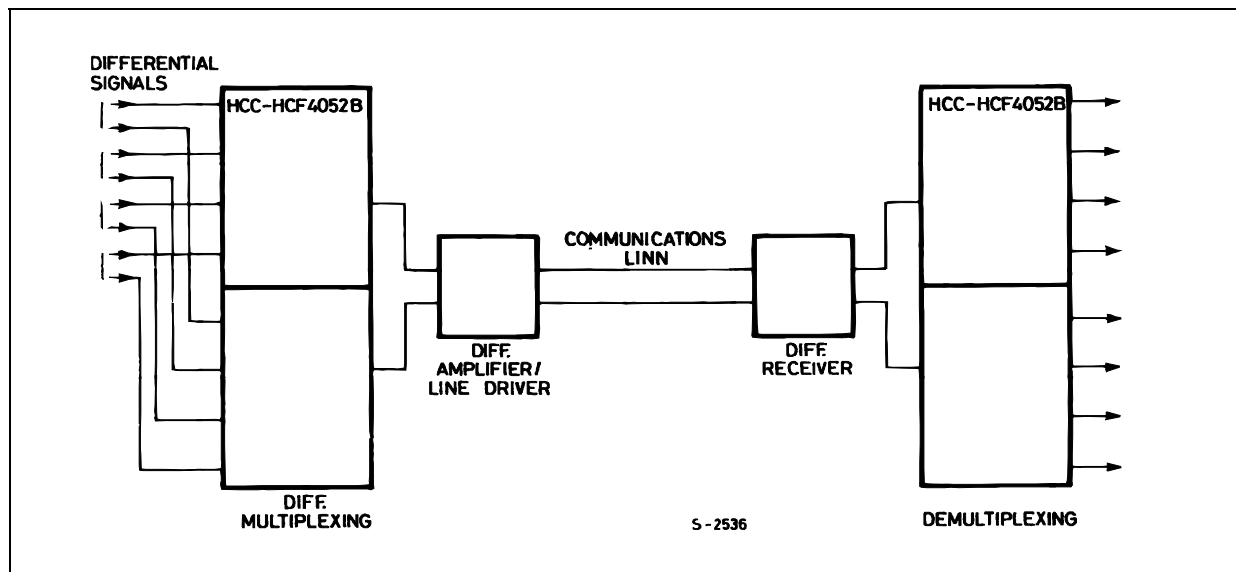
* Peak to Peak voltage symmetrical about $(V_{DD} - V_{EE}) / 2$

TYPICAL BIAS VOLTAGES



The ADDRESS (digital-control inputs) and INHIBIT logic levels are : "0"= V_{SS} and "1"= V_{DD} . The analog signal (through the TG) may swing from V_{EE} to V_{DD}

TYPICAL APPLICATIONS (TYPICAL TIME-DIVISION APPLICATION)

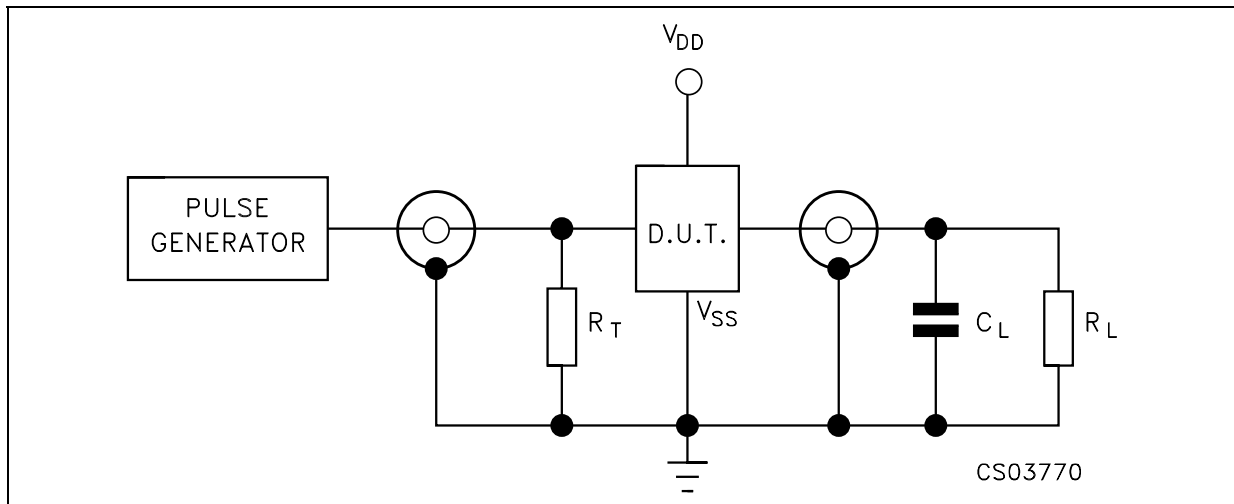


SPECIAL CONSIDERATIONS

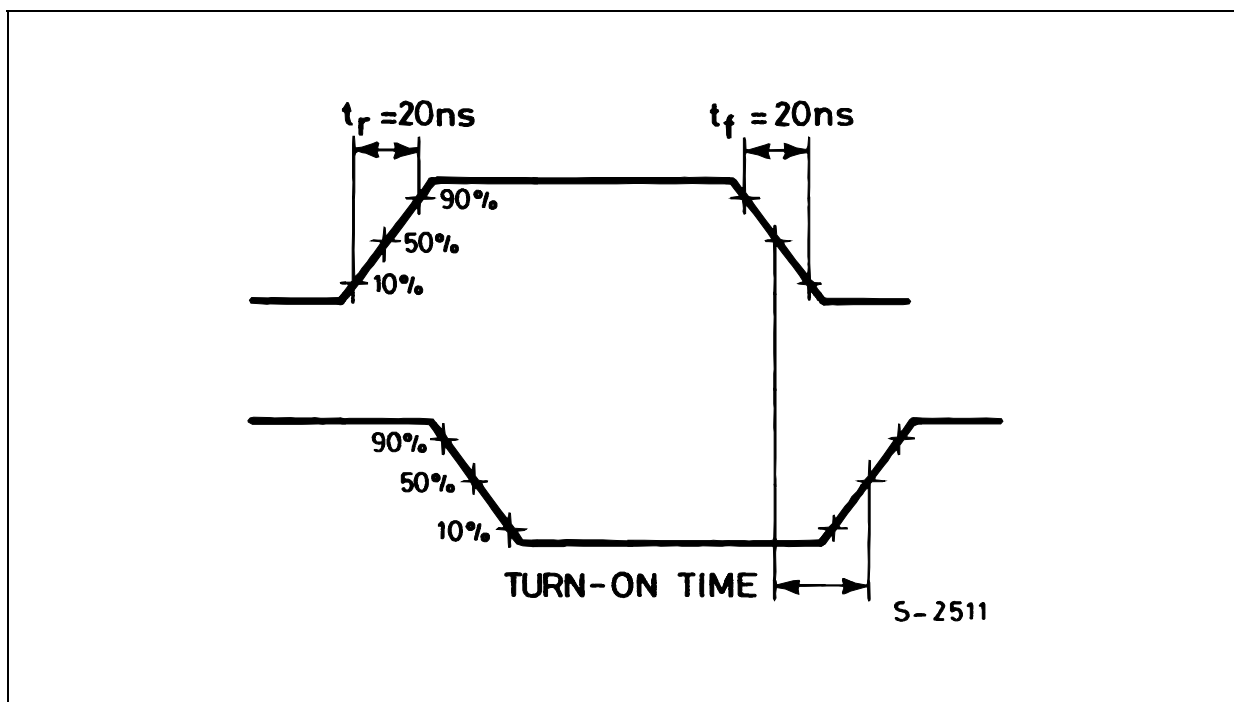
Control of analog signals up to 20V peak to peak can be achieved by digital signal amplitudes of 4.5 to 20V (if $V_{DD} - V_{SS} = 3V$, a $V_{DD} - V_{EE}$ of up to 13V can be controlled; for $V_{DD} - V_{EE}$ level differences above 13V, a $V_{DD} - V_{SS}$ of at least 4.5V is required. For example, if $V_{DD} = +5V$, $V_{SS} = 0V$, and $V_{EE} = -13.5V$, analog signals from -13.5V to 4.5V can be controlled by digital inputs of 0 to 4.5V. In certain applications, the external load resistor

current may include both V_{DD} and signal-line components. To avoid drawing V_{DD} current when switch current flows into the transmission gate inputs, the voltage drop across the bidirectional switch must not exceed 0.8V (calculated from R_{ON} values shown in DC SPECIFICATIONS). No V_{DD} current will flow through R_L if the switch current flows into leads 3 and 13.

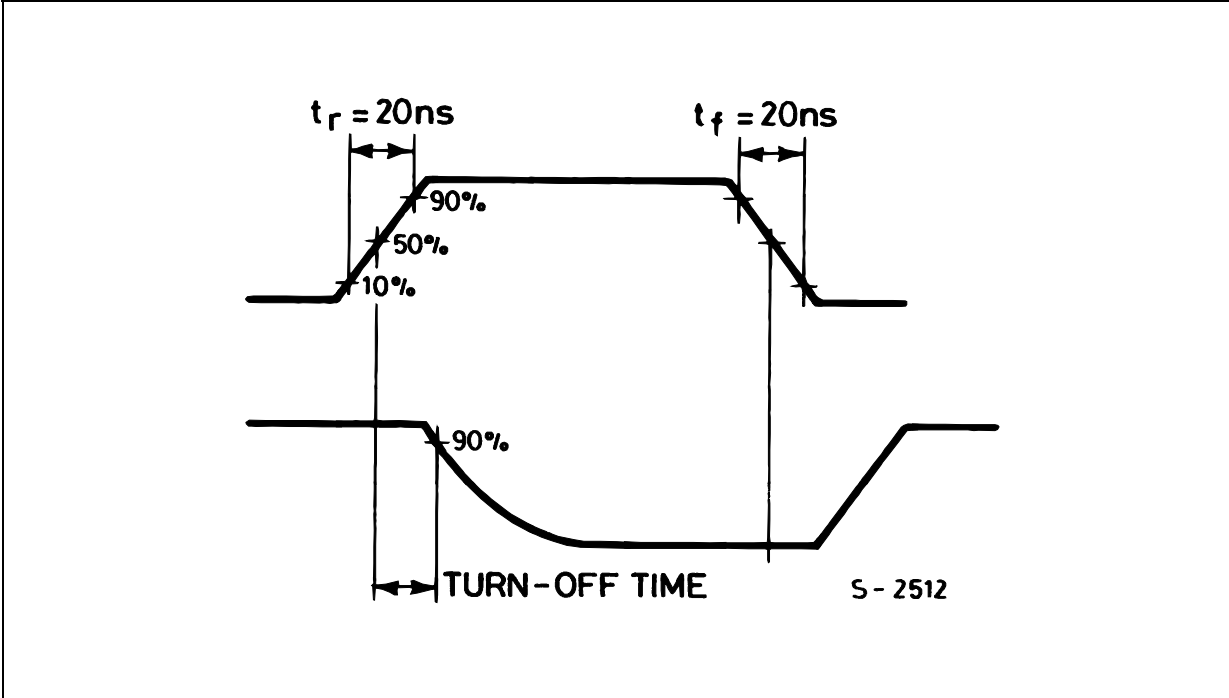
TEST CIRCUIT



$C_L = 50\text{pF}$ or equivalent (includes jig and probe capacitance)
 $R_L = 200\text{K}\Omega$
 $R_T = Z_{\text{OUT}}$ of pulse generator (typically 50Ω)

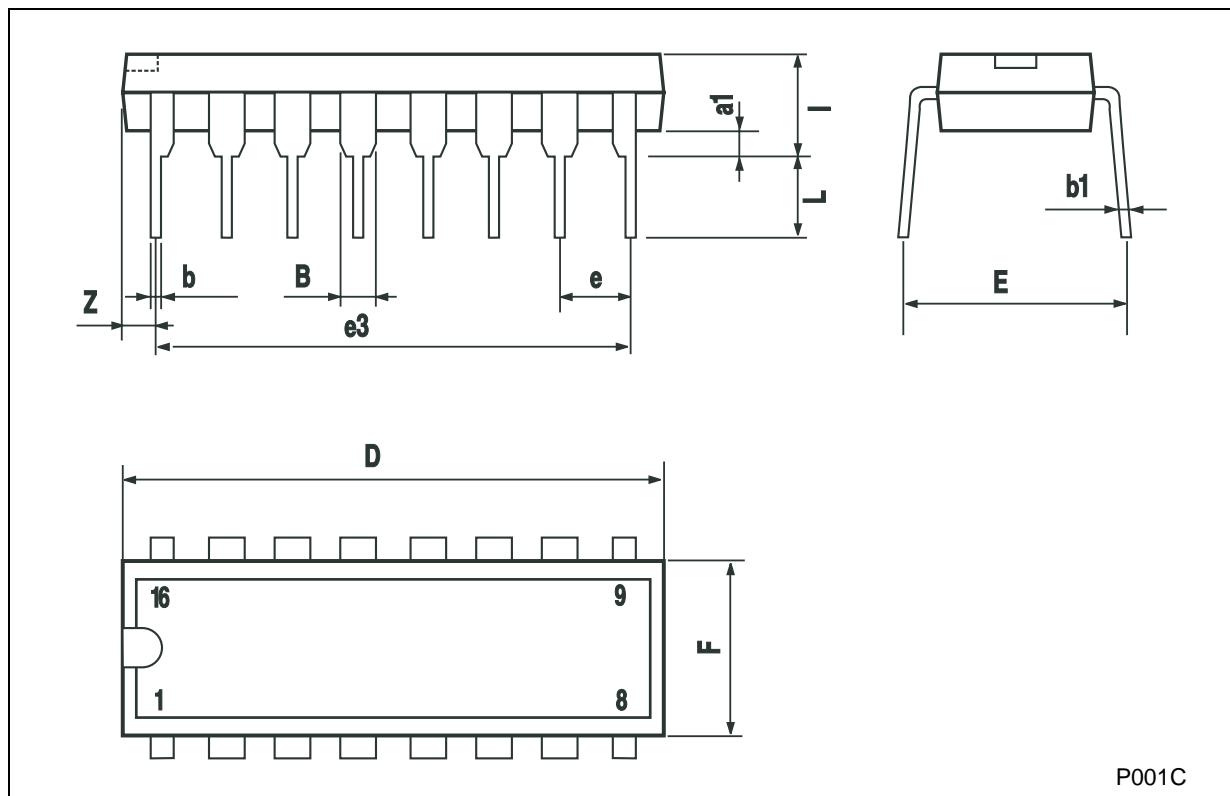
WAVEFORM 1 : CHANNEL BEING TURNED ON ($R_L = 1\text{K}\Omega$, $f = 1\text{MHz}$; 50% duty cycle)


WAVEFORM 2 : CHANNEL BEING TURNED OFF ($R_L = 1K\Omega$, $f=1MHz$; 50% duty cycle)



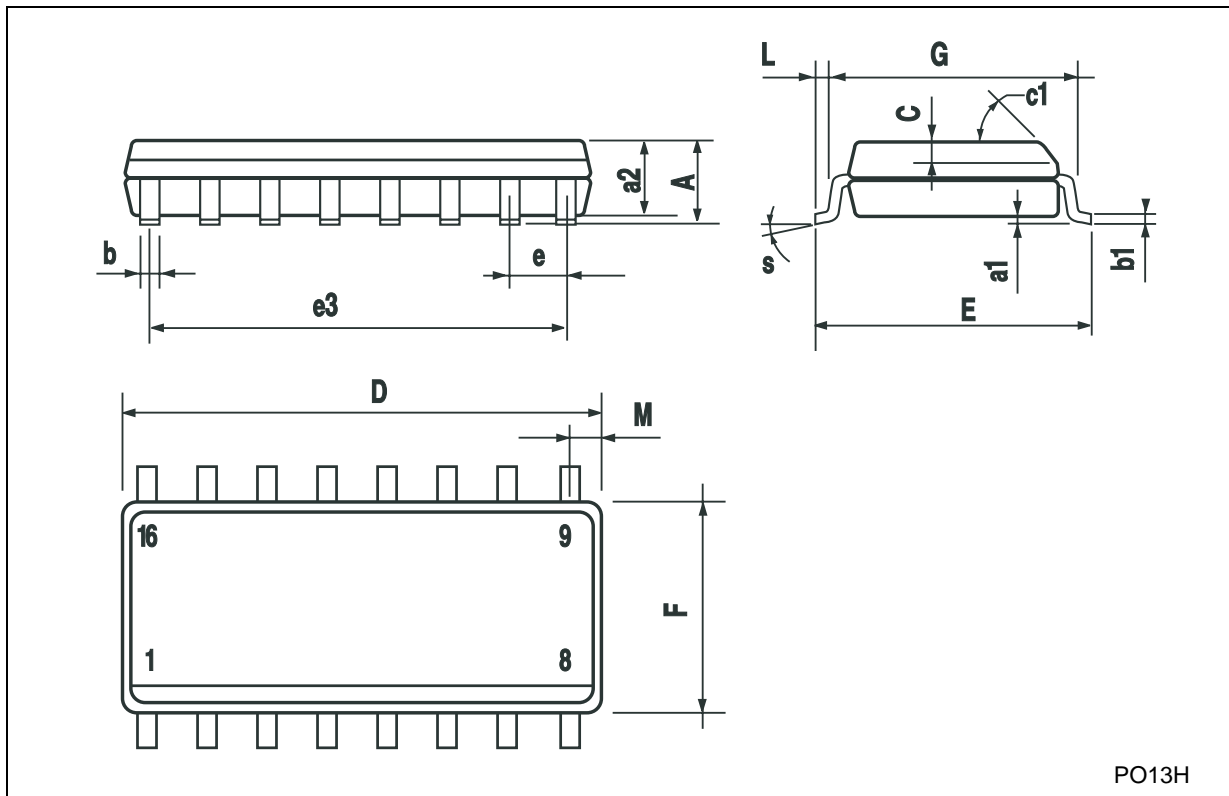
Plastic DIP-16 (0.25) MECHANICAL DATA

| DIM. | mm. | | | inch | | |
|------|------|-------|------|-------|-------|-------|
| | MIN. | TYP | MAX. | MIN. | TYP. | MAX. |
| a1 | 0.51 | | | 0.020 | | |
| B | 0.77 | | 1.65 | 0.030 | | 0.065 |
| b | | 0.5 | | | 0.020 | |
| b1 | | 0.25 | | | 0.010 | |
| D | | | 20 | | | 0.787 |
| E | | 8.5 | | | 0.335 | |
| e | | 2.54 | | | 0.100 | |
| e3 | | 17.78 | | | 0.700 | |
| F | | | 7.1 | | | 0.280 |
| I | | | 5.1 | | | 0.201 |
| L | | 3.3 | | | 0.130 | |
| Z | | | 1.27 | | | 0.050 |



SO-16 MECHANICAL DATA

| DIM. | mm. | | | inch | | |
|------|------------|------|------|-------|-------|-------|
| | MIN. | TYP. | MAX. | MIN. | TYP. | MAX. |
| A | | | 1.75 | | | 0.068 |
| a1 | 0.1 | | 0.2 | 0.003 | | 0.007 |
| a2 | | | 1.65 | | | 0.064 |
| b | 0.35 | | 0.46 | 0.013 | | 0.018 |
| b1 | 0.19 | | 0.25 | 0.007 | | 0.010 |
| C | | 0.5 | | | 0.019 | |
| c1 | 45° (typ.) | | | | | |
| D | 9.8 | | 10 | 0.385 | | 0.393 |
| E | 5.8 | | 6.2 | 0.228 | | 0.244 |
| e | | 1.27 | | | 0.050 | |
| e3 | | 8.89 | | | 0.350 | |
| F | 3.8 | | 4.0 | 0.149 | | 0.157 |
| G | 4.6 | | 5.3 | 0.181 | | 0.208 |
| L | 0.5 | | 1.27 | 0.019 | | 0.050 |
| M | | | 0.62 | | | 0.024 |
| S | 8° (max.) | | | | | |



PO13H

Information furnished is believed to be accurate and reliable. However, STMicroelectronics assumes no responsibility for the consequences of use of such information nor for any infringement of patents or other rights of third parties which may result from its use. No license is granted by implication or otherwise under any patent or patent rights of STMicroelectronics. Specifications mentioned in this publication are subject to change without notice. This publication supersedes and replaces all information previously supplied. STMicroelectronics products are not authorized for use as critical components in life support devices or systems without express written approval of STMicroelectronics.

© The ST logo is a registered trademark of STMicroelectronics

© 2002 STMicroelectronics - Printed in Italy - All Rights Reserved
STMicroelectronics GROUP OF COMPANIES

Australia - Brazil - Canada - China - Finland - France - Germany - Hong Kong - India - Israel - Italy - Japan - Malaysia - Malta - Morocco
Singapore - Spain - Sweden - Switzerland - United Kingdom - United States.

© <http://www.st.com>

