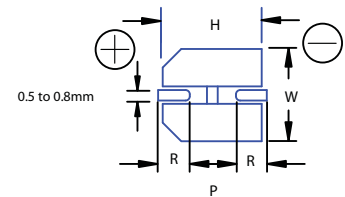
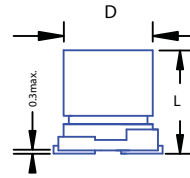


FEATURES

- LOW IMPEDANCE
- 4~6.3 D & 10x7.7= 2000hrs, 8~18 D 5000hrs LIFE
- WIDE TEMPERATURE RANGE
- DESIGNED FOR AUTOMATIC MOUNTING
- SOLVENT RESISTANT



PART NUMBERING

Part Number Example: **MXWRU-025/100M4X6TR13FG**

MXWRU	-	025	/	100	M	4X6	TR	13	F	G
Type		Rated DC Voltage		Capacitance Code (µF)*	Tolerance Code	Size	Package Code**	Reel Size	RoHs Compliant	pb Free

* Capacitance Code: First two digits represent significant figure, third digit represents multiplier (number of zeros).

** Package Code: TR = Tape & Reel.

SPECIFICATIONS

Performance Characteristics

Operating Temperature	-55°C ~ +105°C.									
Voltage Range	6.3VDC ~ 100VDC.									
Capacitance Range	4.7µF ~ 10,000µF.									
Capacitance Tolerance	±20%.									
Maximum DF (20°C, 120Hz)	Rated DC VOLTS	6.3	10	16	25	35	50	63	80	100
	DF% diam 4 ~6.3	26	20	16	14	12	12	-	-	-
	DF% diam 8 ~18	28	24	22	16	14	14	8	8	7
Maximum Leakage Current (20°C) (after 2 minutes)	0.01CV or 3µA, whichever is greater.									
Load Life Test (105°C, 5000 hrs for D ≥ 8.0mm) (2000 hrs for D < 8.0mm & 10X7.7)	Capacitance change	Within ±30% of initial measured value.								
	DF%	Less than 300% of specified value.								
	Leakage Current	Within maximum specified value.								

STANDARD PRODUCT TABLE (dØ X L(mm))

Cap. (µF)	WVDC								
	6.3	10	16	25	35	50	63	80	100
4.7					4 x 6	4 x 6			
10				4 x 6	5 x 6	6.3 x 6			
15			4 x 6	5 x 6	5 x 6	6.3 x 6			
22		4 x 6	5 x 6	5 x 6	5 x 6	6.3 x 6			
27	4 x 6	5 x 6	5 x 6	6.3 x 6	6.3 x 6	6.3 x 7.7			
33	5 x 6	5 x 6	6.3 x 6	6.3 x 6	6.3 x 6	6.3 x 7.7			10X10.2
47	5 x 6	6.3 x 6	6.3 x 6	6.3 x 6	6.3 x 6	6.3 x 7.7	10X7.7	10X10.2	12.5X13.5
56	5 x 6	6.3 x 6	6.3 x 6	6.3 x 6	6.3 x 7.7	8 x 10.2			
68	6.3 x 6	6.3 x 6	6.3 x 6	6.3 x 6	6.3 x 7.7	8 x 10.2			12.5X13.5
100	5 x 6				6.3 x 7.7	8 x 10.2	12.5X13.5	12.5X13.5	16X16.5
	6.3X6	6.3x6	6.3x6	6.3x7.7	8 x 10.2	10x7.7			
150	6.3 x 6	6.3 x 6	6.3 x 7.7	8 x 10.2	8 x 10.2	10 x 10.2	12.5X13.5	12.5X13.5	16X16.5
					10x7.7				
220	6.3 x 6	6.3 x 7.7	6.3 x 7.7	8 x 10.2	8 x 10.2	10 x 10.2	12.5X13.5		18X16.5
				10x7.7					
330	6.3 x 7.7	8 x 10.2	8 x 10.2	8 x 10.2	10 x 10.2	12.5x13.5		16X16.5	
			10x7.7						
470	8 x 10.2	8 x 10.2	8 x 10.2	10 x 10.2	10 x 13.5	16 x 16.5	16X16.5		
		10x7.7			12.5 x 13.5				
680	8 x 10.2	10 x 10.2	10 x 10.2	10 x 13.5		16 x 16.5	18X16.5		
	10X7.7			12.5x13.5	12.5 x 13.5				
1000			10x13.5			16 x 16.5			
	8X10.2	10x10.2	12.5x13.5	12.5x13.5	16 x 16.5				
1200						18X16.5			
1500		10x13.5							
	10X10.2	12.5x13.5	12.5x13.5	16 x 16.5	16 x 16.5				

CONTINUED ON NEXT PAGE

© Tecate Group Phone: (619) 398-9700 Fax: (619) 398-9777 Web Site: www.tecategroup.com

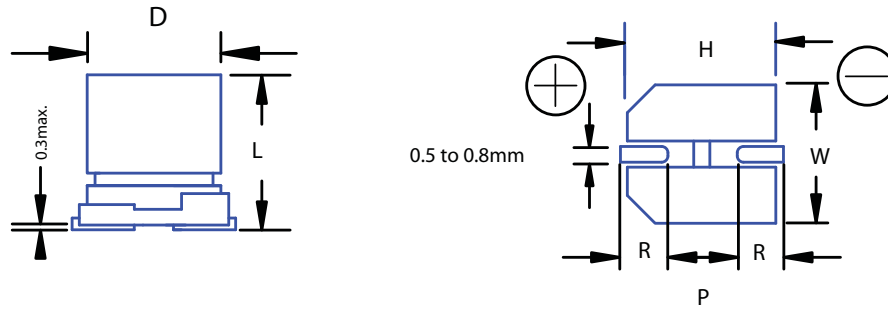
Specifications and dimensions are subject to change without notice.
Please confirm technical specifications with Tecate Group before purchasing.

STANDARD PRODUCT TABLE (dØ X L(mm))

Cap. (µF)	WVDC								
	6.3	10	16	25	35	50	63	80	100
2200	10X13.5								
	12.5X13.5	12.5X13.5		16X16.5	18X16.5				
3300			16X16.5	18X16.5					
4700		16X16.5	18X16.5						
6800	16X16.5	18X16.5							
8200	18X16.5								
10,000	18X16.5								

MAXIMUM RIPPLE (mA rms @ 100kHz & 105°C) / MAX IMPED (Ω @ 100KHZ & 20° C)

Cap. (µF)	WVDC								
	6.3	10	16	25	35	50	63	80	100
4.7					90 / 1.45	60 / 2.9			
10				90 / 1.45	170 / .7	165 / .88			
15			90 / 1.45	170 / .7	170 / .7				
22		90 / 1.45	170 / .7	170 / .7	170 / .7	165 / .88			
27	90 / 1.45	170 / .7	170 / .7	250 / .39	250 / .39	195 / .68			
33	170 / .7	170 / .7	250 / .39	250 / .39	250 / .39	195 / .68			200 / .65
47	170 / .7	250 / .39	250 / .39	250 / .39	250 / .39	195 / .68	200 / .70	200 / .65	500 / .32
56	170 / .7	250 / .39	250 / .39	250 / .39	300 / .3	300 / .34			
68	250 / .39	250 / .39	250 / .39	250 / .39	300 / .3	300 / .34			500 / .32
100	170 / .7				300 / .3	300 / .34	580 / .16	500 / .32	793 / .17
	250 / .39	250 / .39	250 / .39	300 / .3	450 / .17	300 / .34			
150	250 / .39	250 / .39	300 / .3	450 / .17	450 / .17	490 / .18	580 / .16	500 / .32	793 / .17
					450 / .17				
220	250 / .39	300 / .3	300 / .3	450 / .17	450 / .17	490 / .18	580 / .16		917 / .153
				450 / .17					
330	300 / .3	450 / .17	450 / .17	450 / .17	670 / .09	620 / .12		793 / .17	
			450 / .17						
470	450 / .17	450 / .17	450 / .17	670 / .09	850 / .07	1610 / .073	1410 / .082		
		450 / .17			900 / .06				
680	450 / .17	670 / .09	670 / .09	850 / .07		1610 / .073	1690 / .08		
	450 / .17			900 / .06	900 / .06				
1000			850 / .07			1610 / .073			
	450 / .17	670 / .09	1000 / .06	900 / .06	1800 / .035				
1200						1610 / .073			
1500		850 / .07							
		670 / .09	900 / .06	900 / .06	1800 / .035	1800 / .035			
2200		850 / .07							
		900 / .06	900 / .06		1800 / .035	2060 / .033			
3300			1800 / .035	2060 / .033					
4700		1800 / .035	2060 / .033						
6800	1800 / .035	2060 / .033							
8200	2060 / .033								
10,000	2060 / .033								



DIMENSIONS (mm)

D +0.5 Max.	L	W ± 0.2	H ± 0.2	R	P ± 0.2
4.0	6.0 ± 0.3	4.3	4.3	1.8 ~ 2.2	1.0
5.0	6.0 ± 0.3	5.3	5.3	2.1 ~ 2.5	1.4
6.3	6.0 ± 0.3	6.6	6.6	2.35 ~ 2.75	2.2
6.3	7.7 ± 0.3	6.6	6.6	2.35 ~ 2.75	2.2
8.0	10.2 ± 0.5	8.3	8.3	2.7 ~ 3.1	3.2
10.0	7.7 ± 0.3	10.3	10.3	3.0 ~ 3.4	4.6
10.0	10.2 ± 0.5	10.3	10.3	3.0 ~ 3.4	4.6
12.5	13.5 ± 0.5	12.8	12.8	4.25 ~ 4.65	4.6
16.0	16.5 +0.5	16.3	16.3	4.95 ~ 5.35	7.0
18.0	16.5 + 1.0	19	19	5.8 ~ 6.2	7.0