

Medium current 1.2 to 37 V adjustable voltage regulator

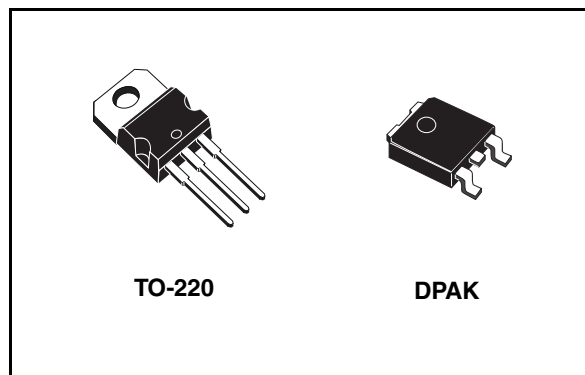
Features

- Output voltage range: 1.2 to 37 V
- Output current in excess of 500 mA
- Line regulation typ. 0.01 %
- Load regulation typ. 0.1 %
- Thermal overload protection
- Short circuit protection
- Output transition safe area compensation
- Floating operation for high voltage applications

Description

The LM217M/LM317M are monolithic integrated circuits in TO-220 and DPAK packages intended for use as positive adjustable voltage regulators. They are designed to supply until 500 mA of load current with an output voltage adjustable over a 1.2 to 37 V range.

The nominal output voltage is selected by means of only a resistive divider, making the device



exceptionally easy to use and eliminating the stocking of many fixed regulators.

Table 1. Device summary

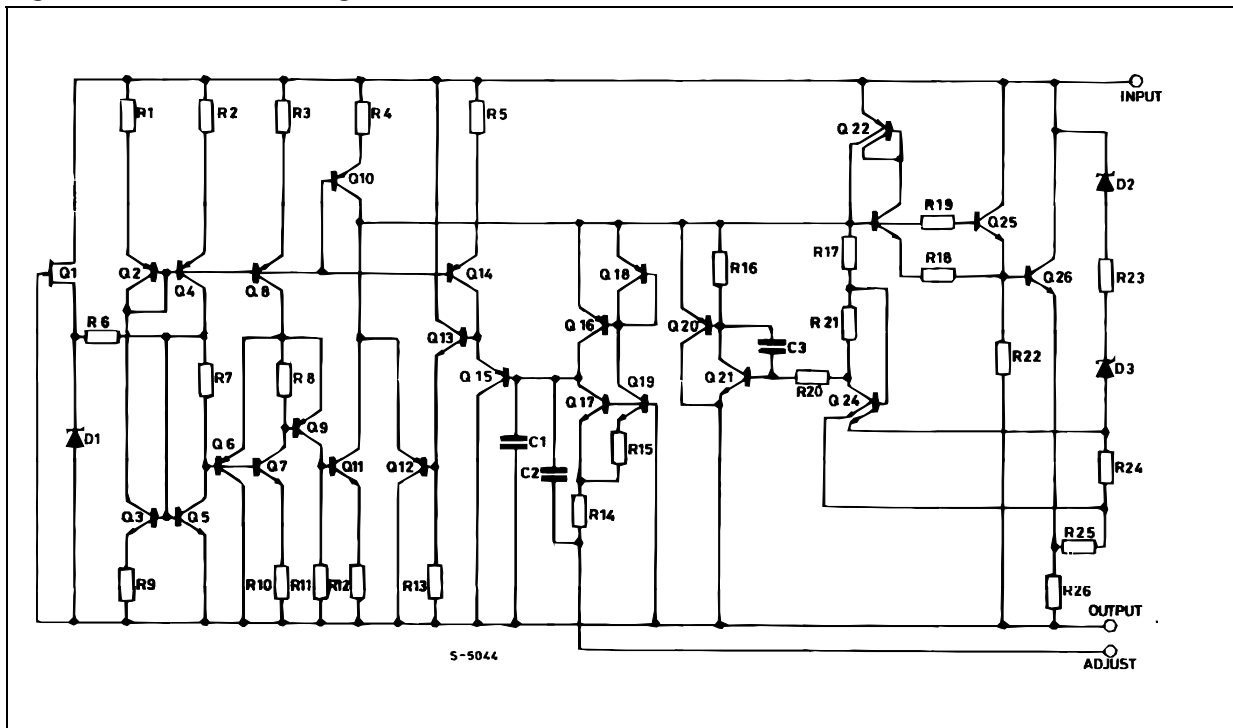
Order codes	
TO-220	DPAK (tape and reel)
	LM217MDT-TR
LM317MT	LM317MDT-TR

Contents

1	Diagram	3
2	Pin configuration	4
3	Maximum ratings	5
4	Electrical characteristics	6
5	Typical performance	8
6	Application information	9
	6.1 External capacitors (<i>Figure 8</i>)	9
	6.2 Protection diodes (<i>Figure 8</i>)	9
	6.3 Start-up block	9
7	Application circuits	10
8	Package mechanical data	12
9	Revision history	20

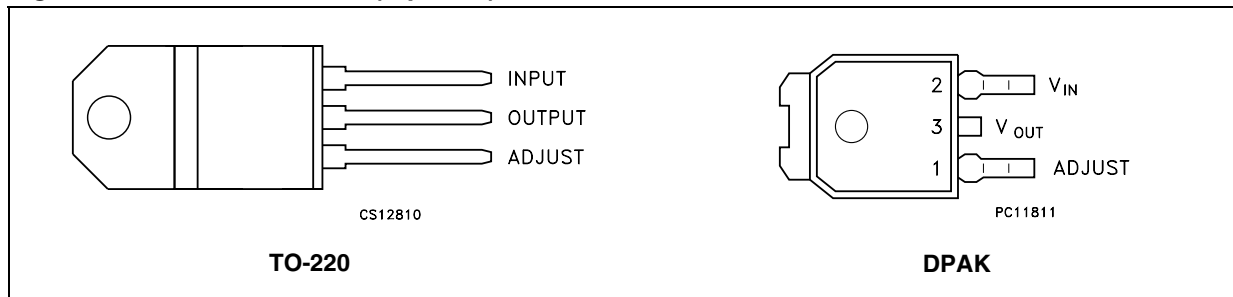
1 Diagram

Figure 1. Schematic diagram



2 Pin configuration

Figure 2. Pin connections (top view)



3 Maximum ratings

Table 2. Absolute maximum ratings

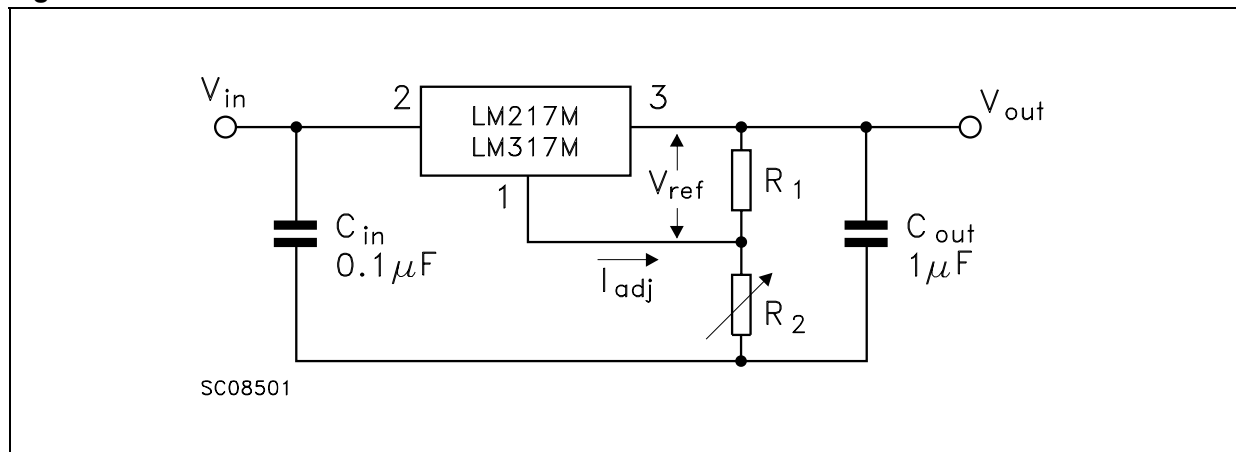
Symbol	Parameter	Value	Unit
V_I-V_O	Input-output differential voltage	40	V
P_D	Power dissipation	Internally limited	mW
T_{OP}	Operating junction temperature range ⁽¹⁾	for LM217M	-40 to 125
		for LM317M	0 to 125
T_{STG}	Storage temperature range	-55 to 150	°C

1. Re-Boot is not guaranteed for $T_J \geq 85^\circ\text{C}$.

Table 3. Thermal data

Symbol	Parameter	TO-220	DPAK	Unit
R_{thJC}	Thermal resistance junction-case	3	8	°C/W
R_{thJA}	Thermal resistance junction-ambient	50	100	°C/W

Figure 3. Test circuit



4 Electrical characteristics

Table 4. Electrical characteristics of LM217M (refer to the test circuits, $T_J = -40$ to 125 °C, $V_I - V_O = 5$ V, $I_O = 100$ mA, $P_D \leq 7.5$ W, unless otherwise specified)

Symbol	Parameter	Test conditions		Min.	Typ.	Max.	Unit
ΔV_O	Line regulation	$V_I - V_O = 3$ to 40 V	$T_J = 25^\circ\text{C}$		0.01	0.02	%V
					0.02	0.05	
ΔV_O	Load regulation	$V_O \leq 5$ V $I_O = 10$ to 500 mA	$T_J = 25^\circ\text{C}$		5	15	mV
					20	50	
		$V_O \geq 5$ V $I_O = 10$ to 500 mA	$T_J = 25^\circ\text{C}$		0.1	0.3	%V _O
					0.3	1	
I_{ADJ}	Adjustment pin current				50	100	μA
ΔI_{ADJ}	Adjustment pin current	$V_I - V_O = 3$ to 40 V, $I_O = 10$ to 500 mA			0.2	5	μA
V_{REF}	Reference voltage	$V_I - V_O = 3$ to 40 V, $I_O = 10$ to 500 mA		1.2	1.25	1.3	V
$\Delta V_O/V_O$	Output voltage temperature stability				0.7		%
$I_{O(\min)}$	Minimum load current	$V_I - V_O = 40$ V			3.5	5	mA
$I_{O(\max)}$	Maximum output current	$V_I - V_O \leq 15$ V		500	1000		mA
		$V_I - V_O = 40$ V, $P_d < P_{D\text{MAX}}$, $T_J = 25^\circ\text{C}$			200		
eN	Output noise voltage (percentage of V_O)	B = 10 Hz to 100 kHz, $T_J = 25^\circ\text{C}$			0.003		%
SVR	Supply voltage rejection ⁽¹⁾	$T_J = 25^\circ\text{C}$ $f = 120$ Hz	$C_{ADJ} = 0$		65		dB
			$C_{ADJ} = 10$ μF	66	80		

1. C_{ADJ} is connected between Adjust pin and Ground.

Table 5. Electrical characteristics of LM317M (refer to the test circuits, $T_J = 0$ to $125\text{ }^\circ\text{C}$, $V_I - V_O = 5\text{ V}$, $I_O = 100\text{ mA}$, $P_D \leq 7.5\text{ W}$, unless otherwise specified)

Symbol	Parameter	Test conditions		Min.	Typ.	Max.	Unit
ΔV_O	Line regulation	$V_I - V_O = 3$ to 40 V	$T_J = 25^\circ\text{C}$		0.01	0.04	%V
					0.02	0.07	
ΔV_O	Load regulation	$V_O \leq 5\text{ V}$ $I_O = 10$ to 500 mA	$T_J = 25^\circ\text{C}$		5	25	mV
					20	70	
		$V_O \geq 5\text{ V}$ $I_O = 10$ to 500 mA	$T_J = 25^\circ\text{C}$		0.1	0.5	%V _O
					0.3	1.5	
I_{ADJ}	Adjustment pin current			50	100	μA	
ΔI_{ADJ}	Adjustment pin current	$V_I - V_O = 3$ to 40 V , $I_O = 10$ to 500 mA			0.2	5	μA
V_{REF}	Reference voltage	$V_I - V_O = 3$ to 40 V , $I_O = 10$ to 500 mA		1.2	1.25	1.3	V
$\Delta V_O/V_O$	Output voltage temperature stability				0.7		%
$I_{O(\min)}$	Minimum load current	$V_I - V_O = 40\text{ V}$			3.5	10	mA
$I_{O(\max)}$	Maximum output current	$V_I - V_O \leq 15\text{ V}$		500	1000		mA
		$V_I - V_O = 40\text{ V}$, $P_d < P_{D\text{MAX}}$, $T_J = 25^\circ\text{C}$			200		
eN	Output noise voltage (percentage of V_O)	B = 10 Hz to 100 kHz, $T_J = 25^\circ\text{C}$			0.003		%
SVR	Supply voltage rejection ⁽¹⁾	$T_J = 25^\circ\text{C}$ $f = 120\text{ Hz}$	$C_{ADJ} = 0$		65		dB
			$C_{ADJ} = 10\text{ }\mu\text{F}$	66	80		

1. C_{ADJ} is connected between Adjust pin and Ground.

5 Typical performance

Figure 4. Current limit

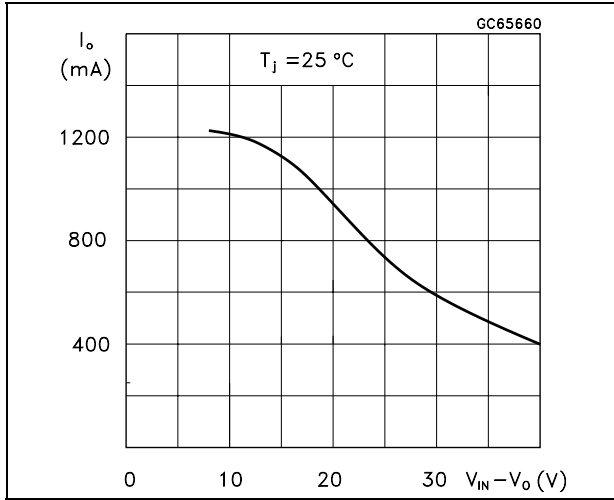


Figure 5. Minimum operating current

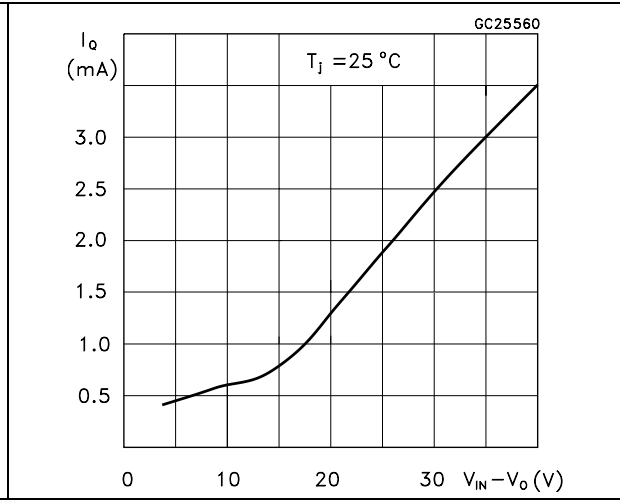


Figure 6. Basic adjustable regulator

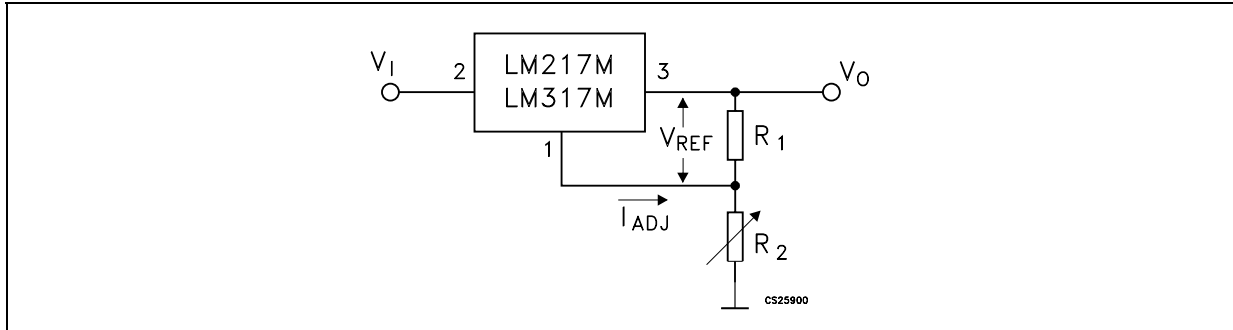
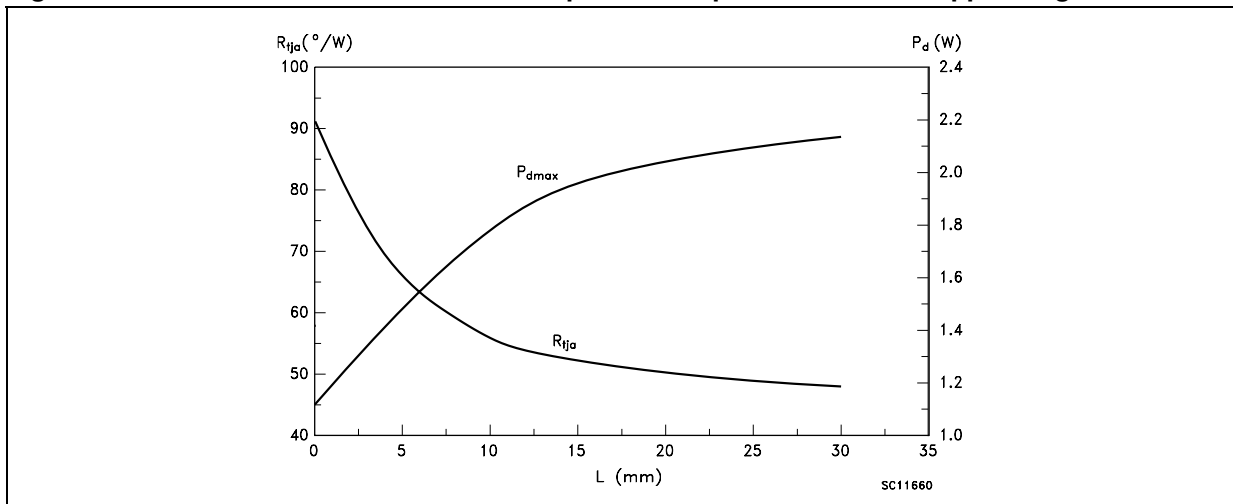


Figure 7. Thermal resistance & maximum power dissipation vs P.C.B. copper length for DPAK



Note: P_{dmax} calculated for $T_a = 50^{\circ}C$.

6 Application information

The LM217M/LM317M provide an internal reference voltage of 1.25 V between the output and adjustment terminals. These devices are used to set a constant current flow across an external resistor divider (see [Figure 6](#)), giving an output voltage V_O of: $V_O = V_{REF} (1 + R_2 / R_1) + I_{ADJ} R_2$.

The devices were designed to minimize the term I_{ADJ} (100 μ A max) and to maintain it very constant in line and load changes. Usually, the error term $I_{ADJ} \times R_2$ can be neglected. To obtain the previous requirement, all the regulator quiescent current is returned to the output terminal, imposing a minimum load current condition. If the load is insufficient, the output voltage will rise.

Since the LM217M/LM317M devices are floating regulators and "see" only the input-to-output differential voltage, supplies of very high voltage with respect to ground can be regulated as long as the maximum input-to-output differential is not exceeded. Furthermore, programmable regulators are easily obtained and, by connecting a fixed resistor between the adjustment and output, the devices can be used as a precision current regulator. In order to optimize the load regulation, the current set resistor R_1 (see [Figure 6](#)) should be tied as close as possible to the regulator, while the ground terminal of R_2 should be near the ground of the load to provide remote ground sensing.

6.1 External capacitors ([Figure 8](#))

Normally no capacitors are needed unless the devices are situated far from the input filter capacitors; in which case an input bypass is needed.

A 0.1 μ F disc or 1 μ F tantalum input bypass capacitor (C_1) is recommended to reduce the sensitivity to input line impedance.

The adjustment terminal may be bypassed to ground to improve ripple rejection. This capacitor (C_{ADJ}) prevents ripple from being amplified as the output voltage is increased. A 10 μ F capacitor should improve ripple rejection of about 80 dB at 120 Hz in a 10 V application.

Although the LM217M/LM317M devices are stable with no output capacitance like any feedback circuit, certain values of external capacitance can cause excessive ringing. An output capacitance (C_O) in the form of a 1 μ F tantalum or 25 μ F aluminium electrolytic capacitor on the output swamps this effect and insures stability.

6.2 Protection diodes ([Figure 8](#))

When external capacitors are used with any IC regulator it is sometimes necessary to add protection diodes to prevent the capacitors from discharging through low current points into the regulator.

[Figure 6](#) shows the LM217M/LM317M with the recommended protection diodes for output voltages in excess of 25 V or high capacitance values ($C_3 > 25 \mu$ F, $C_2 > 10 \mu$ F). Diode D1 prevents C_3 from discharging through the IC during an input short-circuit. The combination of diodes D1 and D2 prevents C_2 from discharging through the regulator during an input or output short-circuit.

6.3 Start-up block

It's not guaranteed the Re-Boot of the device when the junction temperature is over 85 °C.

7 Application circuits

Figure 8. Voltage regulator with protection diodes

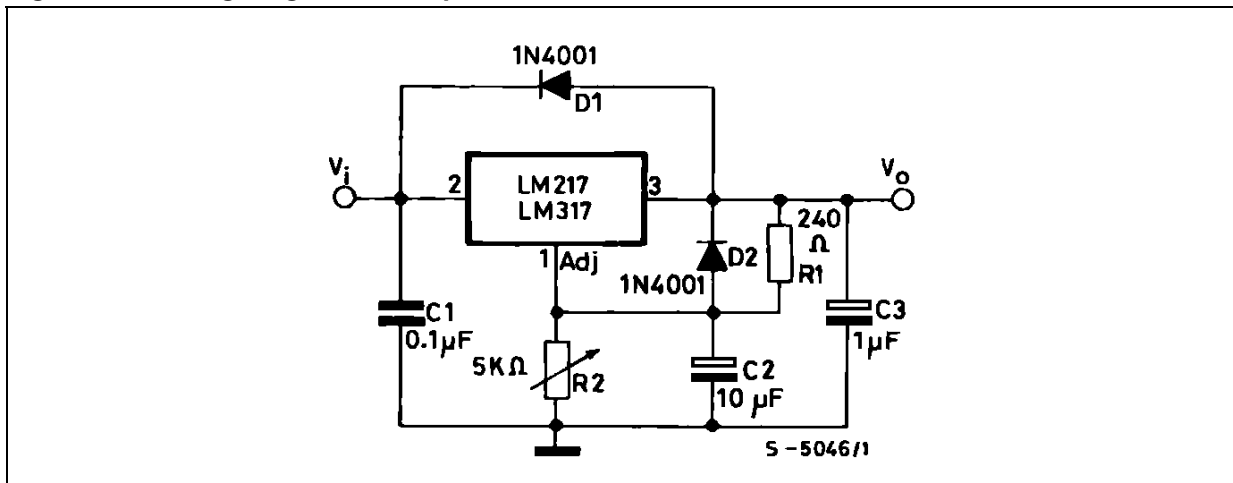


Figure 9. Slow turn-on 15 V regulator

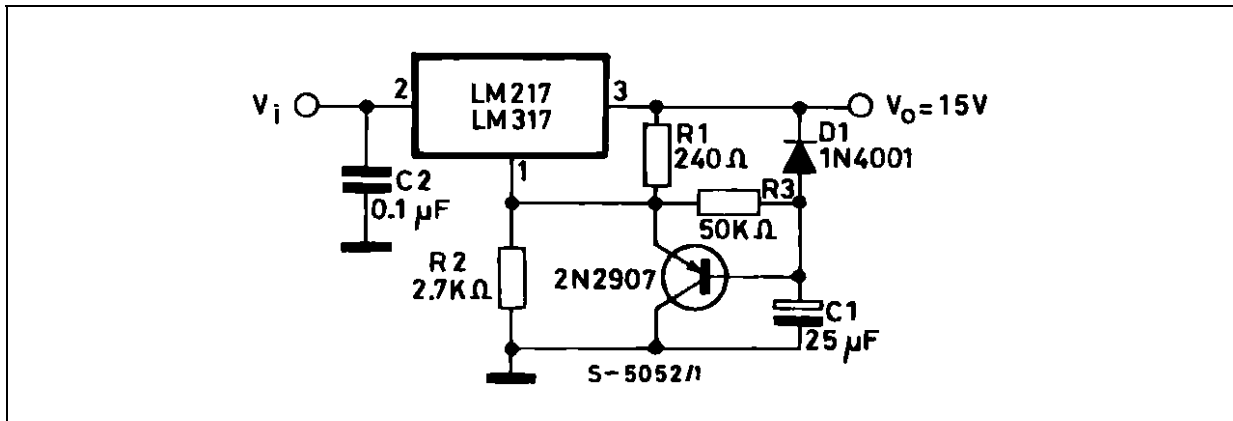


Figure 10. Current regulator

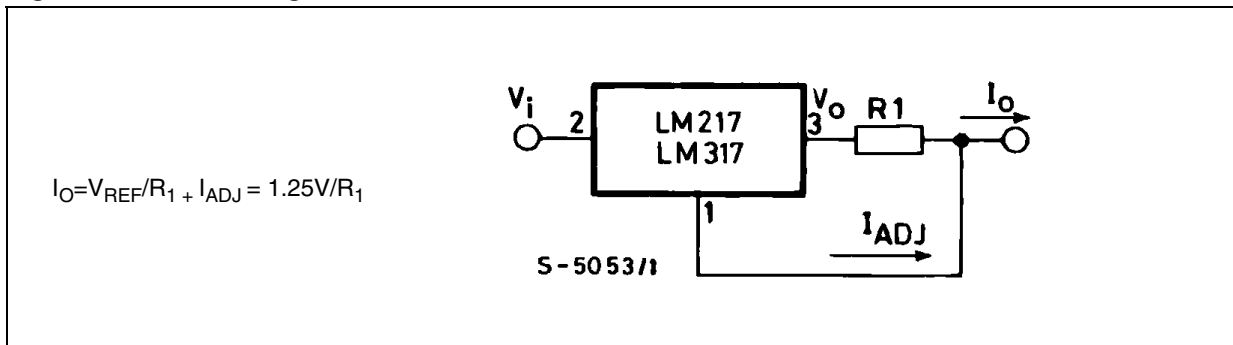


Figure 11. 5 V electronic shut-down regulator

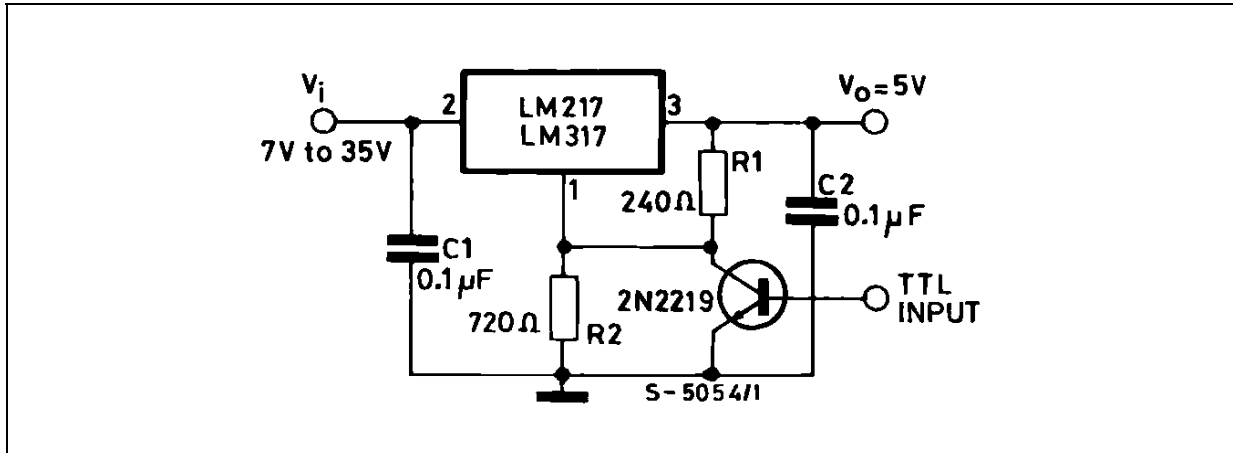
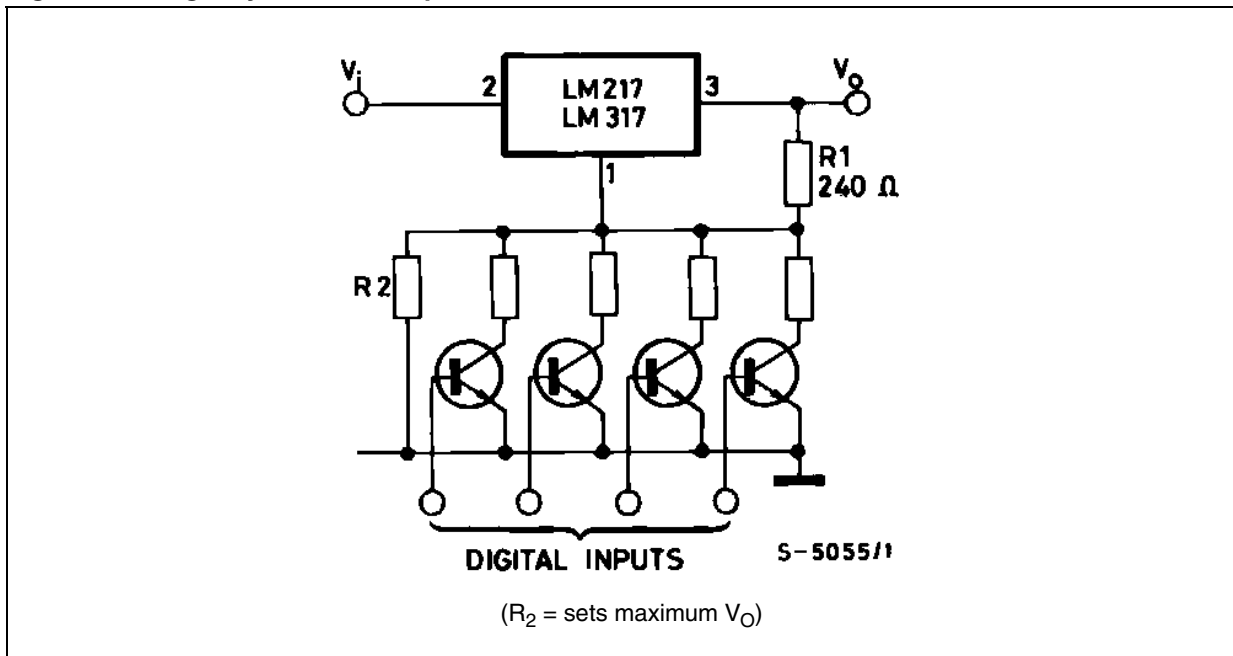


Figure 12. Digitally selected outputs



8 Package mechanical data

In order to meet environmental requirements, ST offers these devices in ECOPACK[®] packages. These packages have a lead-free second level interconnect. The category of second Level Interconnect is marked on the package and on the inner box label, in compliance with JEDEC Standard JESD97. The maximum ratings related to soldering conditions are also marked on the inner box label. ECOPACK is an ST trademark. ECOPACK specifications are available at: www.st.com.

TO-220 mechanical data

Dim.	mm.			inch.		
	Min.	Typ.	Max.	Min.	Typ.	Max.
A	4.40		4.60	0.173		0.181
C	1.23		1.32	0.048		0.051
D	2.40		2.72	0.094		0.107
D1		1.27			0.050	
E	0.49		0.70	0.019		0.027
F	0.61		0.88	0.024		0.034
F1	1.14		1.70	0.044		0.067
F2	1.14		1.70	0.044		0.067
G	4.95		5.15	0.194		0.203
G1	2.4		2.7	0.094		0.106
H2	10.0		10.40	0.393		0.409
L2		16.4			0.645	
L4	13.0		14.0	0.511		0.551
L5	2.65		2.95	0.104		0.116
L6	15.25		15.75	0.600		0.620
L7	6.2		6.6	0.244		0.260
L9	3.5		3.93	0.137		0.154
DIA.	3.75		3.85	0.147		0.151

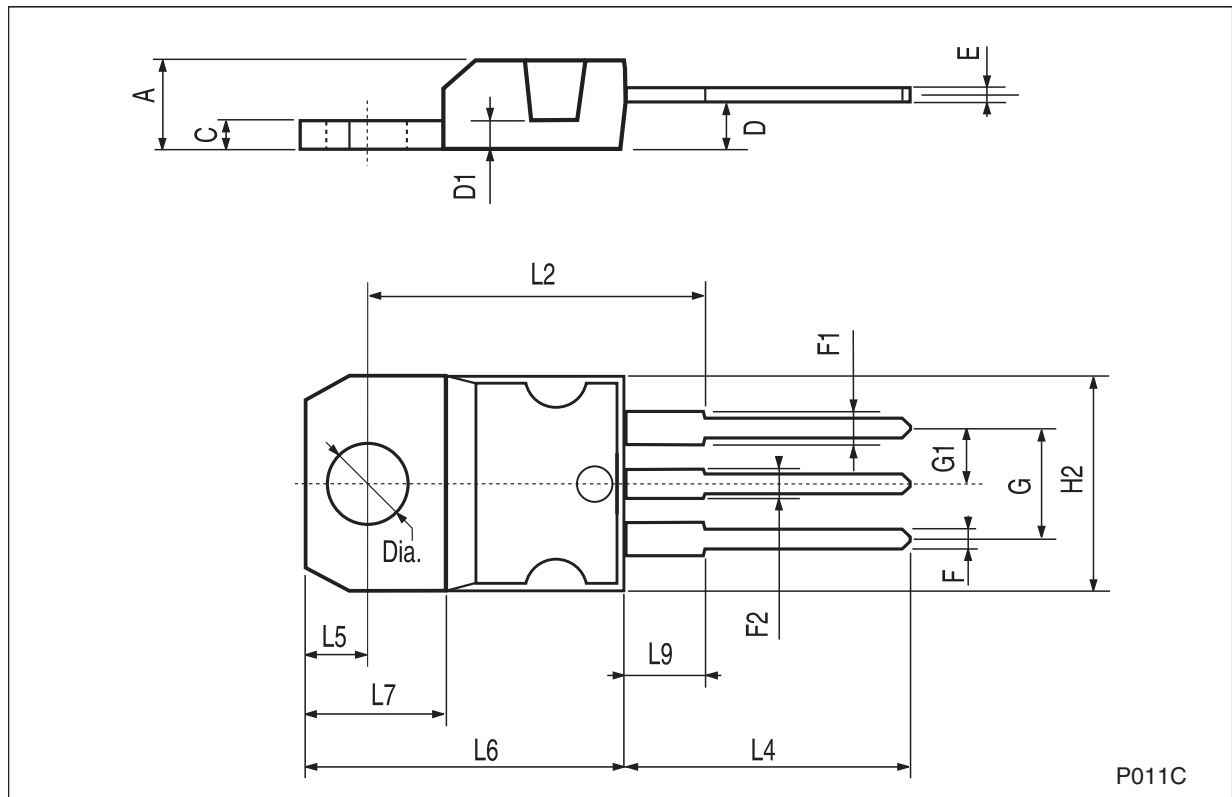
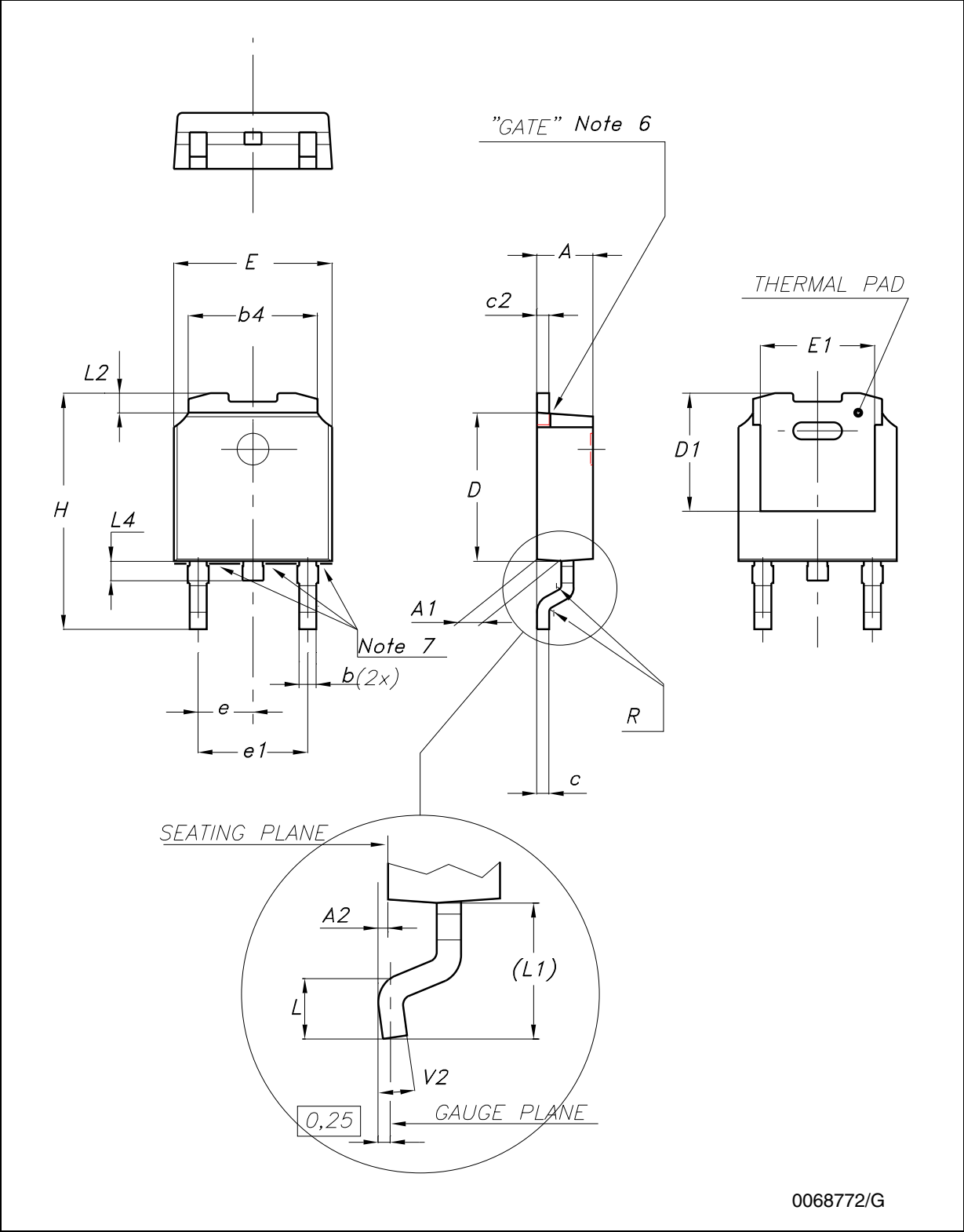
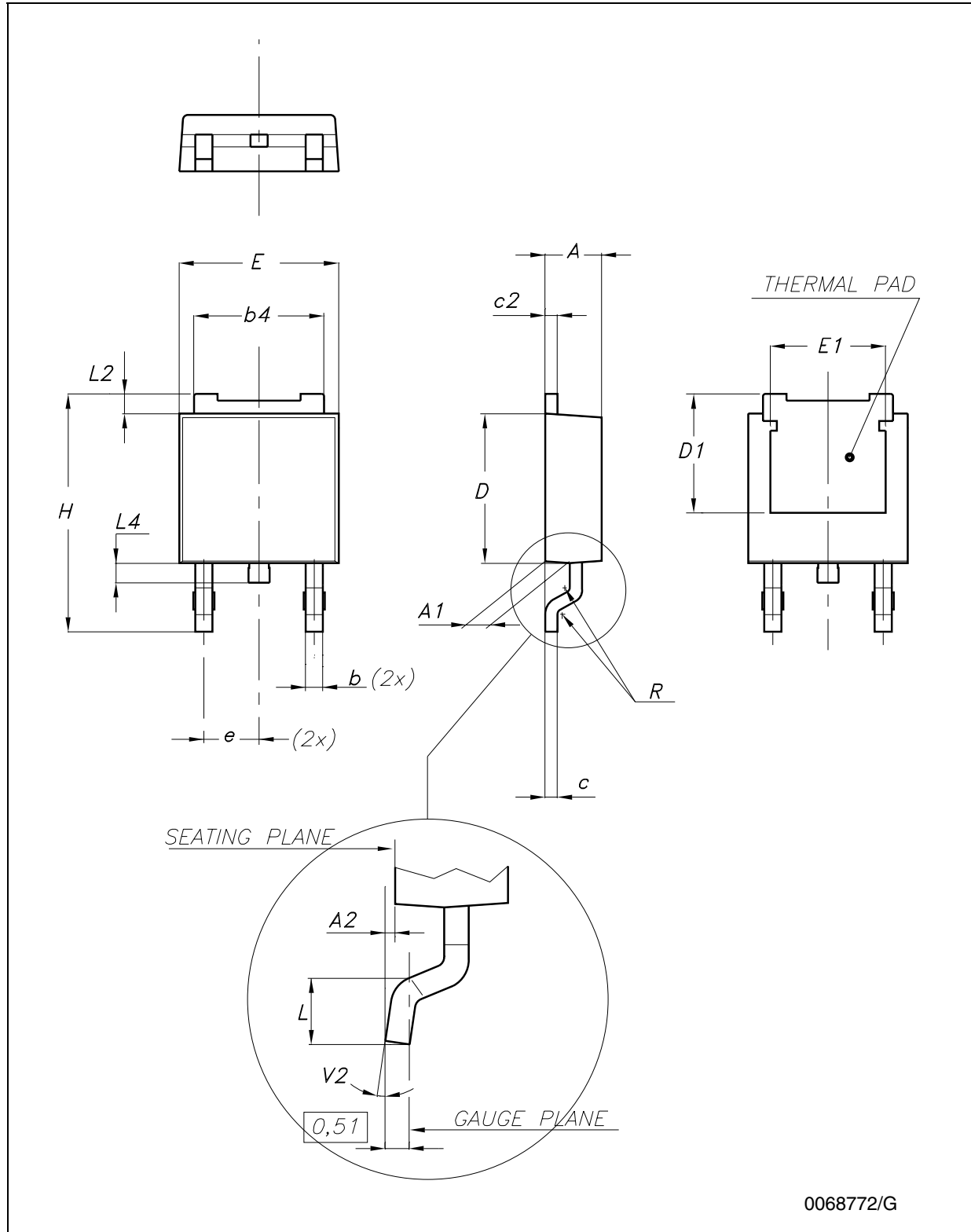


Figure 13. Drawing dimension DPAK (type STD-ST)



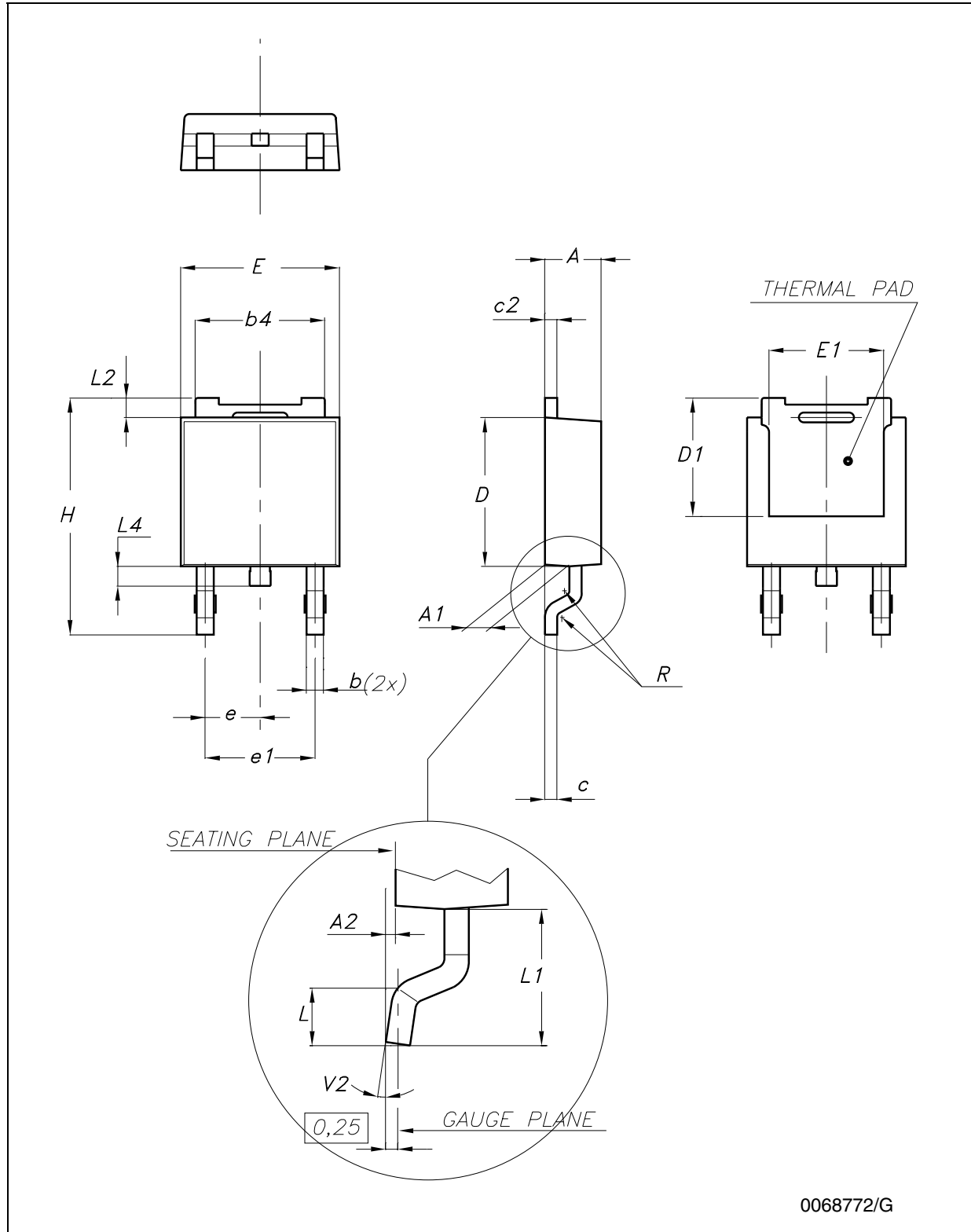
0068772/G

Figure 14. Drawing dimension DPAK (type FUJITSU-Subcon.)



0068772/G

Figure 15. Drawing dimension DPAK (type IDS-Subcon.)



0068772/G

Table 6. DPAK mechanical data

Dim.	type STD-ST			type FUJITSU-Subcon.			type IDS-Subcon		
	mm.			mm.			mm.		
	Min.	Typ.	Max.	Min.	Typ.	Max.	Min.	Typ.	Max.
A	2.20		2.40	2.25	2.30	2.35	2.19		2.38
A1	0.90		1.10	0.96		1.06	0.89		1.14
A2	0.03		0.23	0		0.10	0.03		0.23
b	0.64		0.90	0.76		0.86	0.64		0.88
b4	5.20		5.40	5.28		5.38	5.21		5.46
c	0.45		0.60	0.46		0.56	0.46		0.58
c2	0.48		0.60	0.46		0.56	0.46		0.58
D	6.00		6.20	6.05		6.15	5.97		6.22
D1		5.10		5.27		5.47		5.20	
E	6.40		6.60	6.55	6.60	6.65	6.35		6.73
E1		4.70			4.77			4.70	
e		2.28		2.23	2.28	2.33		2.28	
e1	4.40		4.60				4.51		4.61
H	9.35		10.10	9.90		10.30	9.40		10.42
L	1.00			1.40		1.60	0.90		
L1		2.80					2.50		2.65
L2		0.80		1.03		1.13	0.89		1.27
L4	0.60		1.00	0.70		0.90	0.64		1.02
R		0.20			0.40			0.20	
V2	0°		8°	0°		8°	0°		8°

Note: The DPAK package coming from the two subcontractors (Fujitsu and IDS) are fully compatible with the ST's package suggested footprint.

Figure 16. DPAK footprint recommended data

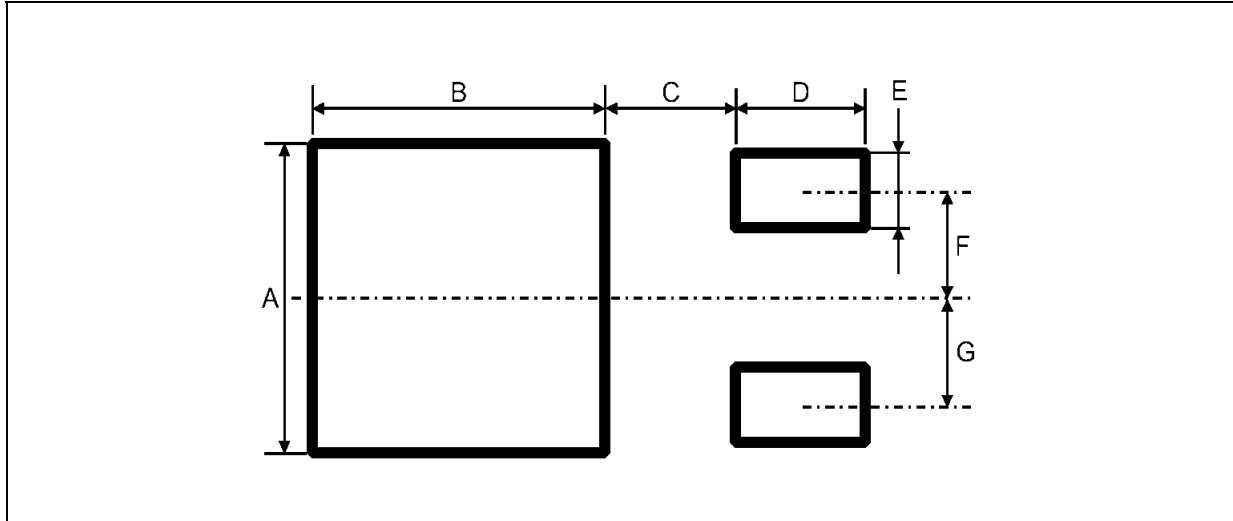
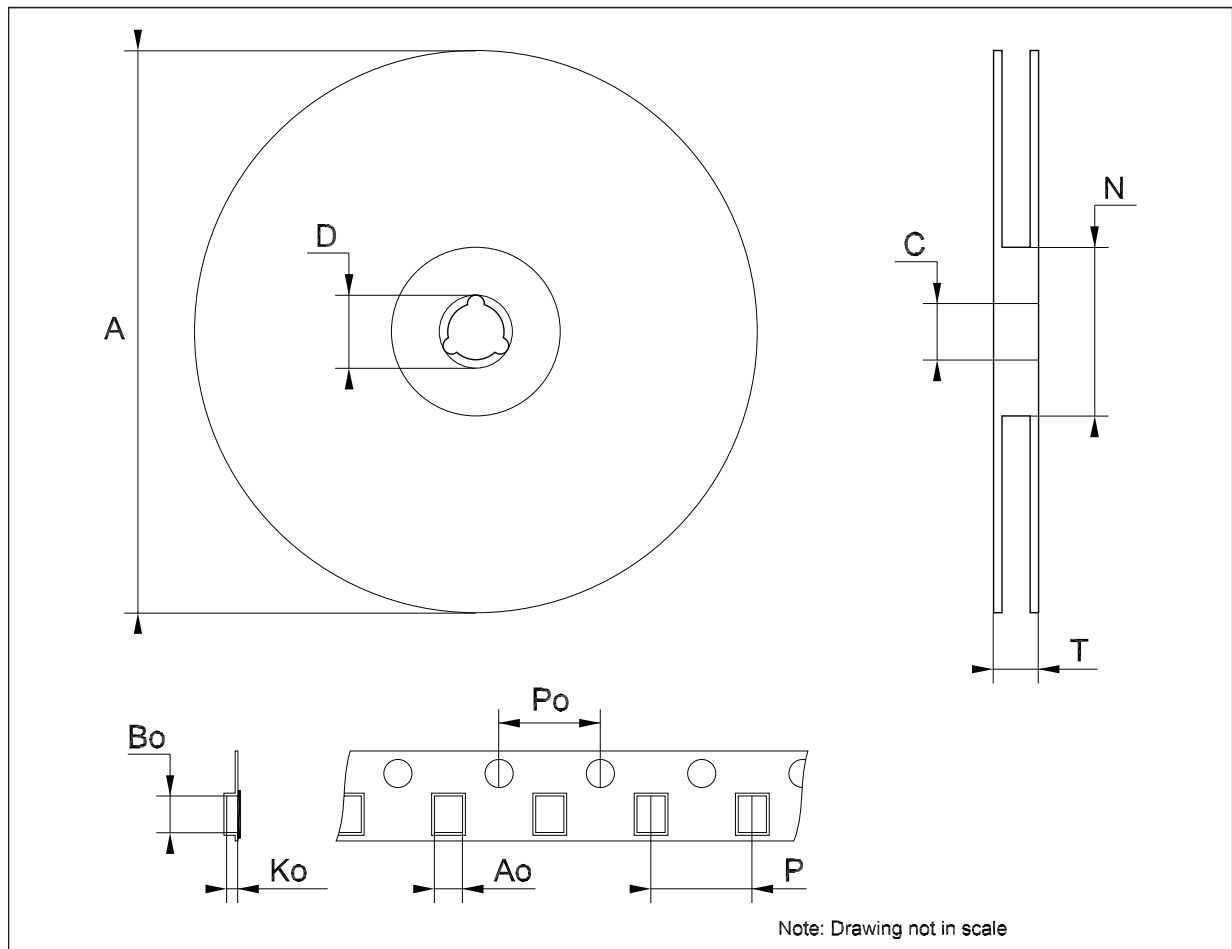


Table 7. Footprint data

Dim.	Values	
	mm.	inch.
A	6.70	0.264
B	6.70	0.64
C	1.8	0.070
D	3.0	0.118
E	1.60	0.063
F	2.30	0.091
G	2.30	0.091

Tape & reel DPAK-PPAK mechanical data

Dim.	mm.			inch.		
	Min.	Typ.	Max.	Min.	Typ.	Max.
A			330			12.992
C	12.8	13.0	13.2	0.504	0.512	0.519
D	20.2			0.795		
N	60			2.362		
T			22.4			0.882
Ao	6.80	6.90	7.00	0.268	0.272	0.276
Bo	10.40	10.50	10.60	0.409	0.413	0.417
Ko	2.55	2.65	2.75	0.100	0.104	0.105
Po	3.9	4.0	4.1	0.153	0.157	0.161
P	7.9	8.0	8.1	0.311	0.315	0.319



9 Revision history

Table 8. Document revision history

Date	Revision	Changes
21-Jun-2004	5	The document has been reformatted.
06-Dec-2006	6	DPAK mechanical data updated, added footprint data.
11-Feb-2008	7	Added: Table 1 on page 1 .

Please Read Carefully:

Information in this document is provided solely in connection with ST products. STMicroelectronics NV and its subsidiaries ("ST") reserve the right to make changes, corrections, modifications or improvements, to this document, and the products and services described herein at any time, without notice.

All ST products are sold pursuant to ST's terms and conditions of sale.

Purchasers are solely responsible for the choice, selection and use of the ST products and services described herein, and ST assumes no liability whatsoever relating to the choice, selection or use of the ST products and services described herein.

No license, express or implied, by estoppel or otherwise, to any intellectual property rights is granted under this document. If any part of this document refers to any third party products or services it shall not be deemed a license grant by ST for the use of such third party products or services, or any intellectual property contained therein or considered as a warranty covering the use in any manner whatsoever of such third party products or services or any intellectual property contained therein.

UNLESS OTHERWISE SET FORTH IN ST'S TERMS AND CONDITIONS OF SALE ST DISCLAIMS ANY EXPRESS OR IMPLIED WARRANTY WITH RESPECT TO THE USE AND/OR SALE OF ST PRODUCTS INCLUDING WITHOUT LIMITATION IMPLIED WARRANTIES OF MERCHANTABILITY, FITNESS FOR A PARTICULAR PURPOSE (AND THEIR EQUIVALENTS UNDER THE LAWS OF ANY JURISDICTION), OR INFRINGEMENT OF ANY PATENT, COPYRIGHT OR OTHER INTELLECTUAL PROPERTY RIGHT.

UNLESS EXPRESSLY APPROVED IN WRITING BY AN AUTHORIZED ST REPRESENTATIVE, ST PRODUCTS ARE NOT RECOMMENDED, AUTHORIZED OR WARRANTED FOR USE IN MILITARY, AIR CRAFT, SPACE, LIFE SAVING, OR LIFE SUSTAINING APPLICATIONS, NOR IN PRODUCTS OR SYSTEMS WHERE FAILURE OR MALFUNCTION MAY RESULT IN PERSONAL INJURY, DEATH, OR SEVERE PROPERTY OR ENVIRONMENTAL DAMAGE. ST PRODUCTS WHICH ARE NOT SPECIFIED AS "AUTOMOTIVE GRADE" MAY ONLY BE USED IN AUTOMOTIVE APPLICATIONS AT USER'S OWN RISK.

Resale of ST products with provisions different from the statements and/or technical features set forth in this document shall immediately void any warranty granted by ST for the ST product or service described herein and shall not create or extend in any manner whatsoever, any liability of ST.

ST and the ST logo are trademarks or registered trademarks of ST in various countries.

Information in this document supersedes and replaces all information previously supplied.

The ST logo is a registered trademark of STMicroelectronics. All other names are the property of their respective owners.

© 2008 STMicroelectronics - All rights reserved

STMicroelectronics group of companies

Australia - Belgium - Brazil - Canada - China - Czech Republic - Finland - France - Germany - Hong Kong - India - Israel - Italy - Japan - Malaysia - Malta - Morocco - Singapore - Spain - Sweden - Switzerland - United Kingdom - United States of America

www.st.com