

METALLIZED POLYPROPYLENE (OPP), NON-INDUCTIVE, PLASTIC CASE, INTERFERENCE SUPPRESSORS CLASS X2

INTRODUCTION

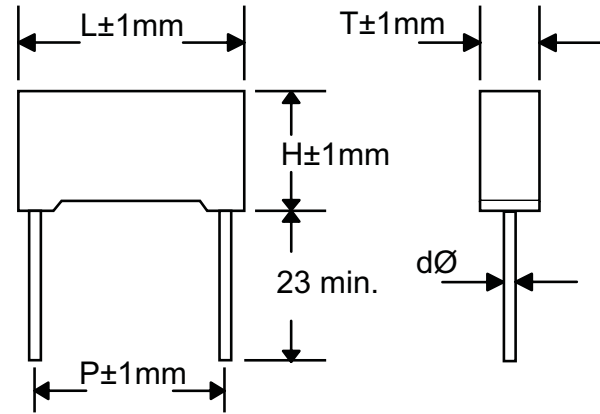
THE TYPE MPXM CAPACITORS are constructed with metallized polypropylene film, dielectric, copper clad steel lead and encapsulated in plastic cases sealed with epoxy resin. They provide Interference Suppression with safety recognition of UL, VDE and others.

APPLICATION

THE TYPE MPXM CAPACITORS are ideal for using in Line-By-Pass, Antenna coupling, Across-The-Line and spark killer circuits and available for EMI filter and switching power supply applications.

FEATURES

- Non-inductive construction.
- Self-healing.
- Flame-retardant plastic case and epoxy resin (compliance with UL 94V-0).
- High moisture-resistance.
- Good solderability (plated with 100% Matte Sn).



| Country | Reference Standards | File No. |
|-------------------|---|----------|
| UL US & CANADA | UL 1414 60384-14 | E164458 |
| VDE (GERMANY) | VDE 0565 1 | 400141 |
| SEV (SWITZERLAND) | NEK EN 132 400 (1994) iec 384 14 11 (1993)/a1 (1995) | 08.0359 |
| SEMKO (SWEDEN) | NEK EN 132 400 (1994) iec 384 14 11 (1993)/a1 (1995) | 807300 |
| DEMKO (DENMARK) | NEK EN 132 400 (1994) iec 384 14 11 (1993)/a1 (1995) | 314644 |
| NEMKO (NORWAY) | NEK EN 132 400 (1994) iec 384 14 11 (1993)/a1 (1995) | P08209 |
| FIMKO (FINLAND) | NEK EN 132 400 (1994) iec 384 14 11 (1993)/a1 (1995) | 24296 |

PART NUMBERING

| Part Number Example: MPXM-275/104K10F | | | | | | | |
|---------------------------------------|---|------------------------|---|------------------------|----------------|--------------|----------------|
| MPXM | - | 275 | / | 104 | K | 10 | F |
| Type | | Rated AC (RMS) Voltage | | Capacitance Code (pF)* | Tolerance Code | Lead Spacing | RoHs Compliant |

* Capacitance Code: First two digits represent significant figures, third digit represents multiplier (number of zeros).

SPECIFICATIONS

| Performance Characteristics | |
|---|--|
| Operating Temperature Range | -40°C ~ +100°C |
| Voltage Range | 275VAC (250VAC for UL & CSA). |
| Withstanding Voltage (between leads) | 2000VDC for 1 second. |
| Capacitance Range | 0.01µF ~ 1.0µF |
| Capacitance Tolerance | ±10%.(K) , ±20%.(M) |
| Maximum Dissipation Factor | 0.1% MAX @ 25 °C 1Khz |
| Minimum Insulation Resistance (23°C) (after 2 minute minimum) | IR ≥ 30000MΩ measured @ 100VDC ± 15VDC (C-0.33µF). IR ≥ 10000M ohm · µF measured @ 100VDC ± 15VDC (C > 0.33µF). |

DIMENSIONS

| Code | Size Cap. (µF) | L Maximum (mm) | H Maximum (mm) | T Maximum (mm) | P ± 1 (mm) | dØ (mm) |
|------|----------------|----------------|----------------|----------------|------------|---------|
| 103 | 0.010 | 18.0 | 11.0 | 5.0 | 15 | 0.8 |
| 123 | 0.012 | 18.0 | 11.0 | 5.0 | 15 | 0.8 |
| 153 | 0.015 | 18.0 | 11.0 | 5.0 | 15 | 0.8 |
| 183 | 0.018 | 18.0 | 11.0 | 5.0 | 15 | 0.8 |
| 223 | 0.022 | 18.0 | 11.0 | 5.0 | 15 | 0.8 |
| 273 | 0.027 | 13.0 | 11.0 | 5.0 | 10 | 0.6 |
| 273 | 0.027 | 18.0 | 11.0 | 5.0 | 15 | 0.8 |
| 333 | 0.033 | 13.0 | 11.0 | 5.0 | 10 | 0.6 |
| 393 | 0.039 | 13.0 | 12.0 | 6.0 | 10 | 0.6 |
| 473 | 0.047 | 13.0 | 12.0 | 6.0 | 10 | 0.6 |
| 563 | 0.056 | 13.0 | 13.0 | 7.0 | 10 | 0.6 |
| 563 | 0.056 | 18.0 | 11.0 | 5.0 | 15 | 0.8 |
| 683 | 0.068 | 13.0 | 13.0 | 7.0 | 10 | 0.6 |
| 683 | 0.068 | 18.0 | 11.0 | 5.0 | 15 | 0.8 |
| 823 | 0.082 | 13.0 | 14.0 | 8.0 | 10 | 0.6 |
| 823 | 0.082 | 18.0 | 12.0 | 6.0 | 15 | 0.8 |
| 104 | 0.10 | 13.0 | 12.0 | 6.0 | 10 | 0.6 |
| 104 | 0.10 | 18.0 | 12.0 | 6.0 | 15 | 0.8 |
| 124 | 0.12 | 13.0 | 12.0 | 6.0 | 10 | 0.6 |
| 124 | 0.12 | 18.0 | 12.0 | 6.0 | 15 | 0.8 |
| 154 | 0.15 | 18.0 | 13.5 | 7.5 | 15 | 0.8 |
| 184 | 0.18 | 18.0 | 13.5 | 7.5 | 15 | 0.8 |
| 224 | 0.22 | 18.0 | 14.5 | 8.5 | 15 | 0.8 |
| 224 | 0.22 | 26.5 | 15.0 | 6.0 | 22.5 | 0.8 |
| 274 | 0.27 | 18.0 | 15.5 | 9.5 | 15 | 0.8 |
| 334 | 0.33 | 18.0 | 15.0 | 8.5 | 15.0 | 0.8 |
| 394 | 0.39 | 18.0 | 19.0 | 11.0 | 15.0 | 0.8 |
| 394 | 0.39 | 26.5 | 19.0 | 10.0 | 22.5 | 0.8 |
| 474 | 0.47 | 26.5 | 17.0 | 8.5 | 22.5 | 0.8 |
| 564 | 0.56 | 26.5 | 19.0 | 10.0 | 22.5 | 0.8 |
| 684 | 0.68 | 18.0 | 18.0 | 10.0 | 15.0 | 0.8 |
| 684 | 0.68 | 26.5 | 19.0 | 10.0 | 22.5 | 0.8 |
| 824 | 0.82 | 26.5 | 20.0 | 11.0 | 22.5 | 0.8 |
| 105 | 1.0 | 26.5 | 23.0 | 14.0 | 22.5 | 0.8 |
| 105 | 1.0 | 32.0 | 22.0 | 13.0 | 27.5 | 0.8 |