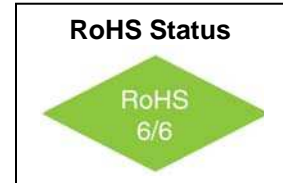


VF540
XO 3.3V, 5.0V
9x14mm SMD, HCMOS/TTL



Features

- Very Low Phase Jitter at all Frequencies
- Extended Temperature available
- Tight Duty Cycle available
- Tristate Control Standard
- EMI Shielded



Electrical Specifications

Parameter	Symbol	Condition	Min	Typ	Max	Unit	Note
Frequency Range	F		1.5		130	MHz	
Frequency Stability	$\Delta F/F$	Overall conditions of : calibration, temp., 10 years aging, shock, vibration			± 20 ± 25 ± 50 ± 100 ± 500	ppm	See "How to Order" chart
Operating Temperature	T		0 -40 -55		+70 +85 +125	°C	
Output	HCMOS / TTL						
Load	10 TTL gates or 50pF max.						
Supply Voltage	V _{cc}		4.75 3.15	5.00 3.30	5.25 3.45	V	See "How to Order" chart
Supply Current	I _{cc}	15pF load, 50MHz			40	mA	Load & Frequency dependent
Duty Cycle		@1.4V	40	50	60	%	5%, 2.5% available
Rise / Fall Time	T _r /T _f	0.4V to 2.4V 20% to 80%			1.5 4.0	ns	
Logic "1" Level	V _{OH}	Max Load	0.9V _{cc}			V	
Logic "0" Level	V _{OL}	Max Load			0.1V _{cc}	V	
Start-up Time	T _s			2	10	ms	
Phase Jitter		1σ			1	ps	f _j >1KHz



VF540
XO 3.3V, 5.0V
9x14mm SMD, HCMOS/TTL



Tristate Function

Parameter	Symbol	Condition	Min	Typ	Max	Unit	Note
Enable /Disable Time	Te/Td				100	ns	
Tristate Function	Input HIGH (>2.5V) or floating: ACTIVE Input LOW (<0.5V): INFINITE IMPEDANCE						

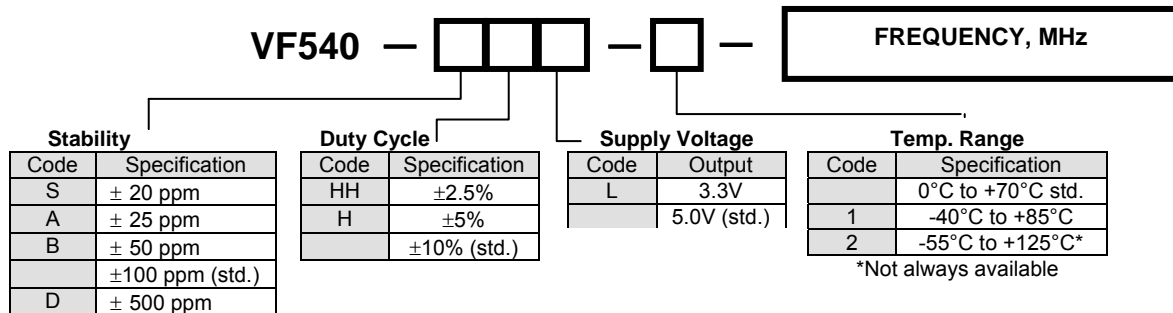
Absolute Maximum Ratings

Parameter	Symbol	Condition	Min	Typ	Max	Unit	Note
Supply Break Down Voltage	Vcc		-0.5		7.0	V	
Storage Temperature	Ts		-55		+125°	°C	

Environmental and Mechanical

Parameter	Specification
Mechanical Shock	Per MIL-STD-202, Method 213, Condition E
Thermal Shock	Per MIL-STD-883, Method 1011, Condition A
Vibration	Per MIL-STD-883, Method 2007, Condition A
Soldering Conditions	260°C for 10s max. 230°C for 90s max.
Hermetic Seal	Leak rate less than 5×10^{-8} atm.cc/s of helium

How to Order



VF540
XO 3.3V, 5.0V
9x14mm SMD, HCMOS/TTL



Package Dimensions and Pin Connections

